

## PRODUCT SPECIFICATIONS

### TP-3738: 37 x 38 Center Drain Transfer Shower Pan



#### STANDARD FEATURES

- Solid one-piece cast marble
- Durable gel coat surface
- Pre-leveled-rests on subfloor
- Extremely sanitary
- Will not mold or mildew
- Easy to install
- Maintenance-free
- Manufactured in the U.S.A.
- Recommended: add Shower Pan Liners to protect pans during construction

#### APPLICATIONS

- Hospitality | Multifamily | Senior Living | Student Housing | Military Housing

#### ITEM NUMBER

- TP-3738-C-SF

#### TECHNICAL SPECIFICATIONS

MODEL Transfer Pan

PAN SIZE 37" x 38"

MATERIAL Cast Marble

FLOOR PATTERN Traditional

FINISH Matte, Textured, Non-Slip

BACKWALL 38"

SIDE WALLS 37"

DRAIN LOCATION Fixed - Center

CENTER OF DRAIN MEASURES 18 1/2" from back wall, 19" from side walls

DIMENSIONS NOTE: Finished product dimensions may vary +/- 1/8" from drawings

FRONT CURB None. Floor will tile up to the entrance of the shower pan

FLANGE ~4" on side and back walls - attached at factory

WEIGHT ~123#

STANDARD Mincey Classic™

SLOPE Pan is sloped toward the drain at 2%

CSI NUMBER 22 42 33

#### COLORS

ALMOND 7800

BONE 7670

CREAM 7400



#### CONTACT OUR SALES STAFF

M-F: 8:00 am - 5:00 pm  
Eastern

**770-532-0451**

#### WE'RE HERE TO HELP

Request a product sample, color sample or get a quote.

**sales@minceymarble.com**  
**samples@minceymarble.com**

**PRODUCT SPECIFICATIONS**

**TP-3738: 37 x 38 Center Drain Transfer Shower Pan**

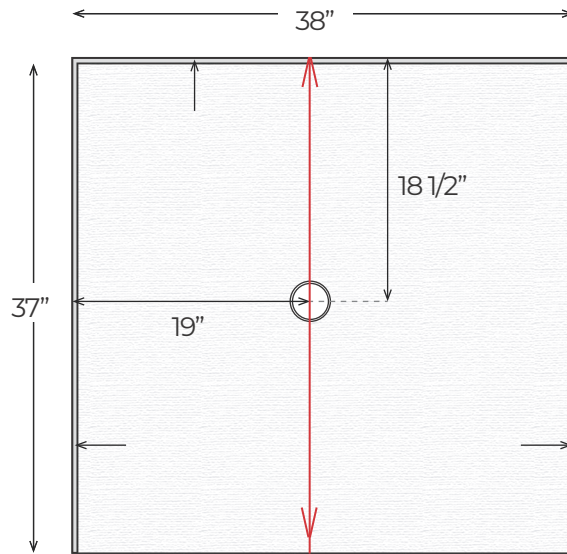


IVORY	7300
WHITE	2250
LIGHT GRAY	7256
PUTTY	7000

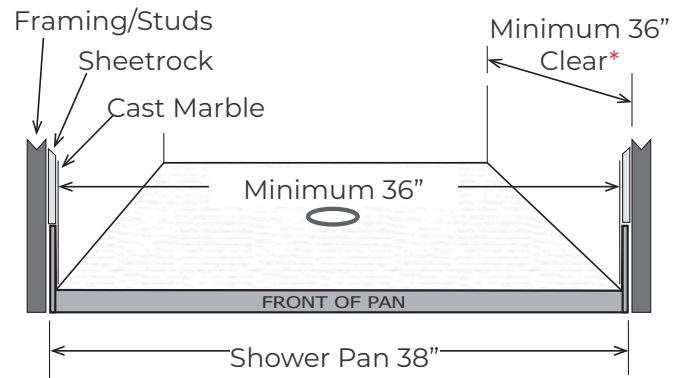
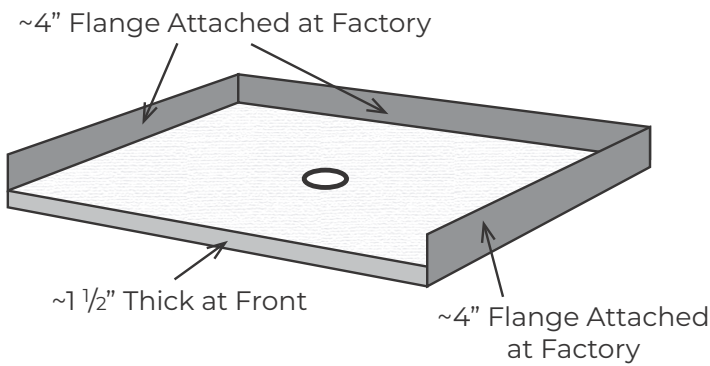
**SPECIAL NOTES**

- Standards and Ratings:
  - CSA B45-5/IAPMO Z124-2011
  - MAS Certified Green. Compliant with ANSI/BIFMA X7.1 Standard
  - ANSI A137.1 (average rating of 0.65)
  - ANSI A326.3 (average rating of 0.72)
  - ANSI/NFSI B101.3 (average rating of 0.66)
- Suggested Drains:
  - Sioux Chief Mfg. model: 825-2P – PVC
  - Oatey part number: 42045 – PVC
  - Oatey part number: 42150 – Brass
- NOTE: Finished product dimensions may vary +/- 1/8" from drawings
- NOTE: Drain is not included with pan
- Brief Description: A transfer pan has minimum inside finished dimensions of 36" x 36". The entrance must be flush with the entry floor, just like a roll-in pan. The shower must also have a fold down seat. It can then be used by someone in a wheelchair who wants the ability to roll up to the shower and transfer over to the seat in the shower.

TP-3738-C-SF

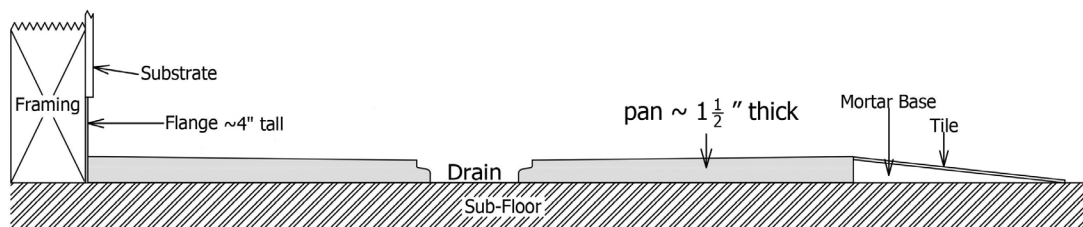
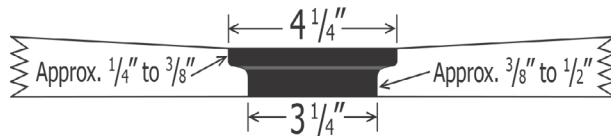


Finished product dimensions may vary by +/- 1/8" from drawings.



\*Note\* The ADA code requires the finished opening of a transfer pan to measure a minimum of 36" left to right and 36" front to back. The entrance must be flush with the entry floor, just like a roll-in pan.

Drain Detail:



REV: 11.05.21