

**PRODUCT SPECIFICATIONS**

**TD-RI-36-ADJ-62: 31-36 Adjustable Roll-In Trench Drain Shower Pan**



**STANDARD FEATURES**

- Depth customizable from 31" to 36"
- Solid one-piece cast marble
- Durable gel coat surface
- Pre-leveled-rests on subfloor
- Extremely sanitary
- Will not mold or mildew
- Easy to install
- Maintenance-free
- Manufactured in the U.S.A.
- Trench drain with removable cover for easy cleaning
- Recommended: add Shower Pan Liners to protect pans during construction

**APPLICATIONS**

- Hospitality | Multifamily | Senior Living | Student Housing | Military Housing

**ITEM NUMBER**

- TD-RI-36-ADJ-62-OSF-SF



**TECHNICAL SPECIFICATIONS**

MODEL	Trench Drain
SIZE	31" - 36"* x 62"
MATERIAL	Cast Marble
DRAIN LOCATION	Pan entrance - only -
DIMENSIONS	NOTE: Finished product dimensions may vary +/- 1/8" from drawings
FINISH	Matte, Textured, Non-Slip
FLANGE	4" Separate - fiberglass
WEIGHT	~ 223#
SLOPE	Pan is sloped toward the drain at 2%
CSI NUMBER	22 42 23

**COLORS**

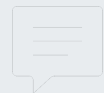
ALMOND	7800
BONE	7670
CREAM	7400
IVORY	7300
WHITE	2250
LIGHT GRAY	7256
PUTTY	7000



**CONTACT OUR SALES STAFF**

M-F: 8:00 am - 5:00 pm Eastern

**770-532-0451**



**WE'RE HERE TO HELP**

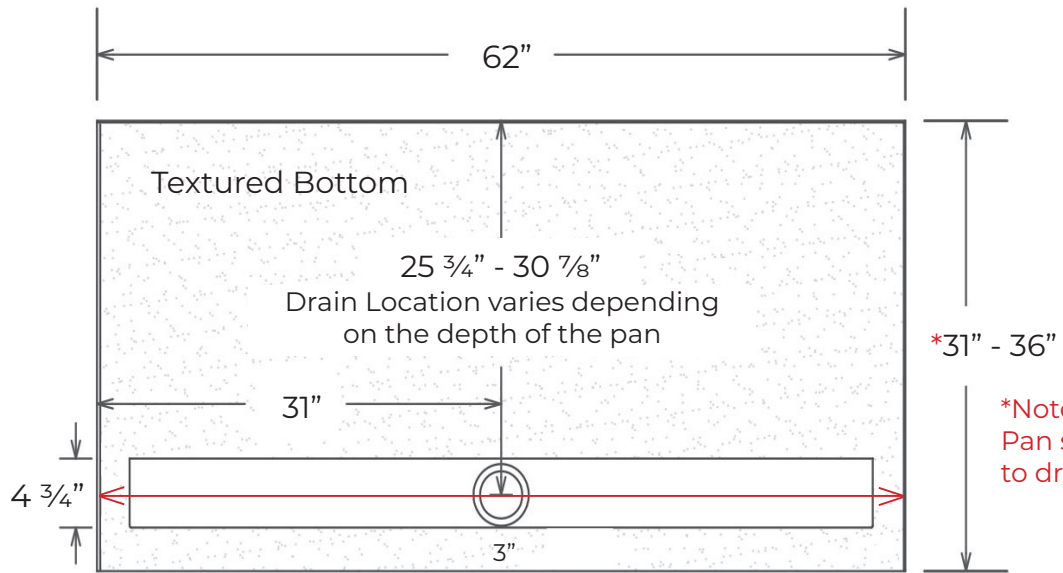
Request a product sample, color sample or get a quote.

**sales@minceymarble.com**  
**samples@minceymarble.com**

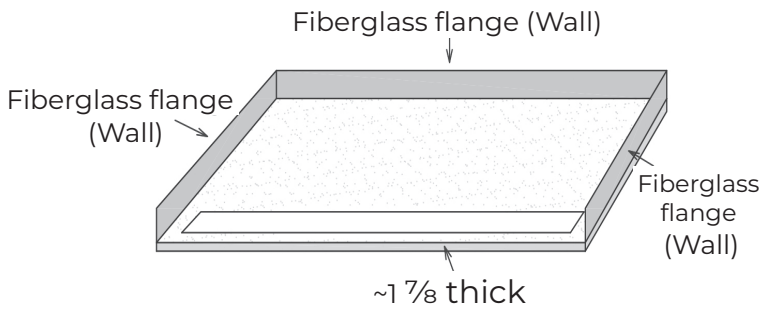
SPECIAL NOTES

- Standards and Ratings:
- CSA B45-5/IAPMO Z124-2011
- MAS Certified Green. Compliant with ANSI/BIFMA X7.1 Standard
- ANSI A137.1 (average rating of 0.65)
- ANSI A326.3 (average rating of 0.72)
- ANSI/NFSI B101.3 (average rating of 0.66)
- Suggested Drains:
- Sioux Chief Mfg. model: 825-2P – PVC
- Oatey part number: 42045 – PVC
- Oatey part number: 42150 – Brass
- NOTE: Finished product dimensions may vary +/- 1/8" from drawings
- NOTE: Drain is not included with pan
- This Roll-in Trench Drain is available from 31" to 36" in depth, please specify when ordering.
- \*Note: Shower pan includes your choice of 1 - Solid or 1 - Decorative Trench Drain cover. All Powder Coated Stainless Steel covers carry an up-charge.

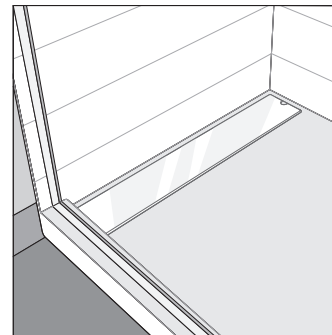
TDRI-36ADJ62-OSF-SF



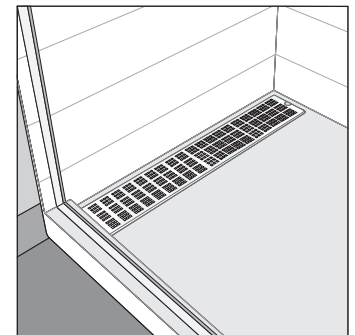
Finished product dimensions may vary by +/- 1/8" from drawings.



Drain Cover Options

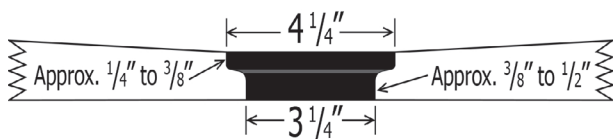


Solid

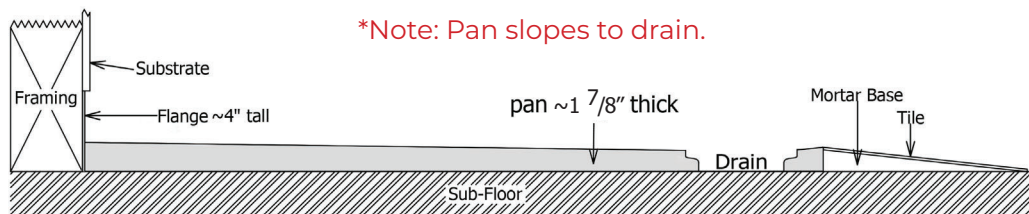


Decorative

Drain Detail:



For an additional charge, Powder Coating options are available. Please contact our sales associates for more information.



\*Note: Pan slopes to drain.

REV: 01.13.22