

## PRODUCT SPECIFICATIONS

### TD-35-ADJ-60: 35 Adjustable Trench Drain Shower Pan



#### STANDARD FEATURES

- Width customizable up to 60"
- Solid one-piece cast marble
- Durable gel coat surface
- Pre-leveled-rests on subfloor
- Extremely sanitary
- Will not mold or mildew
- Easy to install
- Maintenance-free
- Manufactured in the U.S.A.
- Trench drain with removable cover for easy cleaning
- Recommended: add Shower Pan Liners to protect pans during construction

#### APPLICATIONS

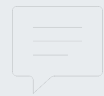
- Hospitality | Multifamily | Senior Living | Student Housing | Military Housing

#### ITEM NUMBER

- TD-35-ADJ-60-OS-SF

#### TECHNICAL SPECIFICATIONS

|                          |   |
|--------------------------|---|
| MODEL                    | Adjustable Length   |
| PAN SIZE                 | 35" d x up to 60" w max   |
| MATERIAL                 | Cast Marble   |
| FLOOR PATTERN            | Traditional   |
| FINISH                   | Matte, Textured, Non-Slip   |
| BACKWALL                 | Up to 59 3/4"   |
| SIDE WALLS               | 34 3/4"   |
| DRAIN LOCATION           | Offset - (specify left or right)                                  |
| CENTER OF DRAIN MEASURES | 14 3/16" from backwall, 3 5/8" from side wall                     |
| DIMENSIONS               | NOTE: Finished product dimensions may vary +/- 1/8" from drawings |
| DRAIN OPENING            | 3 1/4"  |
| TRENCH WIDTH             | 4 3/4"  |
| DRAIN COVER              | 27"   |
| FLANGE                   | ~4" on side and backwalls - attached at factory                   |
| FRONT CURB               | Integral, 3" w x 3" h   |
| WEIGHT                   | Variable by size  |
| STANDARD                 | Mincey Classic™   |
| SLOPE                    | Pan is sloped toward the drain at 2%                              |
| CSI NUMBER               | 22 42 23  |



#### CONTACT OUR SALES STAFF

M-F: 8:00 am - 5:00 pm  
Eastern

**770-532-0451**

#### WE'RE HERE TO HELP

Request a product sample, color sample or get a quote.

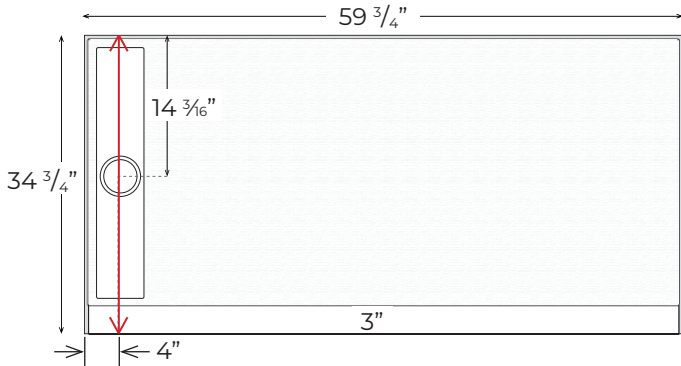
**sales@minceymarble.com**  
**samples@minceymarble.com**

| COLORS     |      |
|------------|------|
| ALMOND     | 7800 |
| BONE       | 7670 |
| CREAM      | 7400 |
| IVORY      | 7300 |
| WHITE      | 2250 |
| LIGHT GRAY | 7256 |
| PUTTY      | 7000 |

SPECIAL NOTES

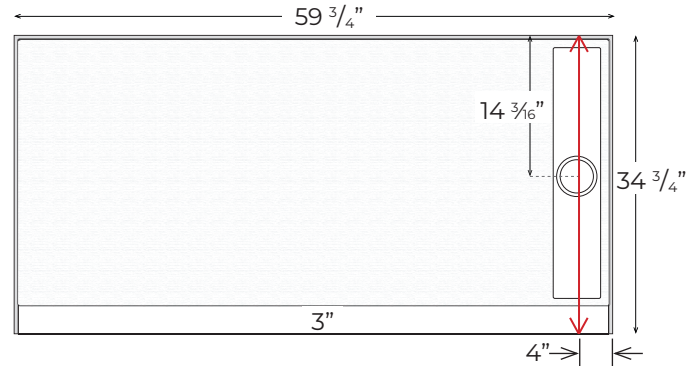
- Standards and Ratings:
- CSA B45-5/IAPMO Z124-2011
- MAS Certified Green. Compliant with ANSI/BIFMA X7.1 Standard
- ANSI A137.1 (average rating of 0.65)
- ANSI A326.3 (average rating of 0.72)
- ANSI/NFSI B101.3 (average rating of 0.66)
- Suggested Drains:
- Sioux Chief Mfg. model: 825-2P – PVC
- Oatey part number: 42045 – PVC
- Oatey part number: 42150 – Brass
- NOTE: Finished product dimensions may vary +/- 1/8" from drawings
- NOTE: Drain is not included with pan

TD-35-ADJ-60"-OS/SF-L

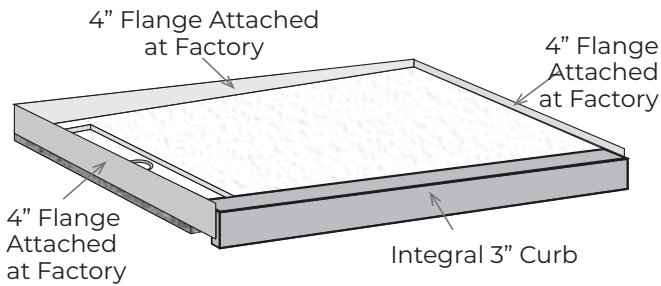


Finished product dimensions may vary by +/- 1/8" from drawings.

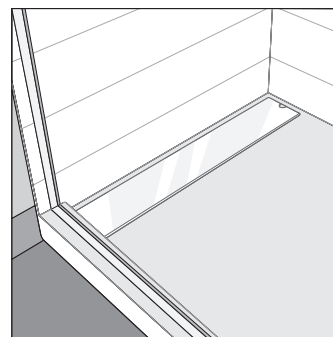
TD-35-ADJ-60"-OS/SF-R



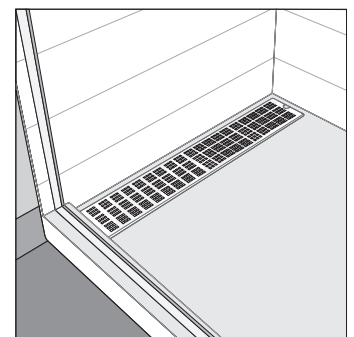
Finished product dimensions may vary by +/- 1/8" from drawings.



Drain Cover Options



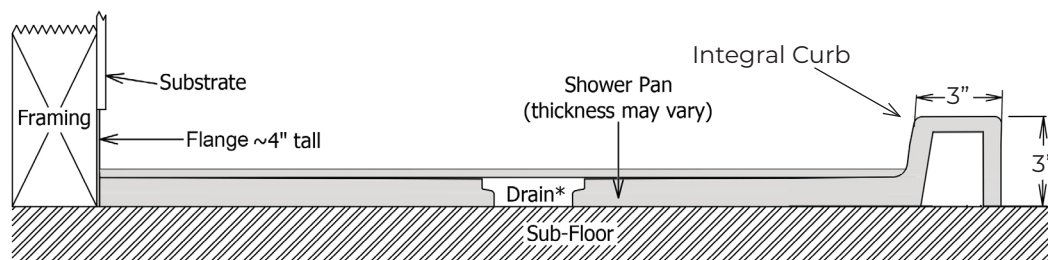
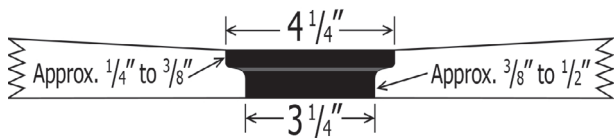
Solid



Decorative

For an additional charge, Powder Coating options are available. Please contact our sales associates for more information.

Drain Detail:



REV: 11.03.21