

**PRODUCT SPECIFICATIONS**

**TD-3260: 32 x 60 Trench Drain Renovation Shower Pan**



**STANDARD FEATURES**

- Optimal for tub-to-shower conversions - drain is in the same place as a typical tub drain
- Solid one-piece cast marble
- Durable gel coat surface
- Pre-leveled-rests on subfloor
- Extremely sanitary
- Will not mold or mildew
- Easy to install
- Maintenance-free
- Manufactured in the U.S.A.
- Trench drain with removable cover for easy cleaning
- Recommended: add Shower Pan Liners to protect pans during construction

**APPLICATIONS**

- Designed for use in New Construction and Renovation Projects
- Fits in the footprint of a standard tub
- Hospitality | Multifamily | Senior Living | Student Housing | Military Housing

**ITEM NUMBER**

- TD-3260-OS-SF-RENO



**TECHNICAL SPECIFICATIONS**

MODEL	Renovation Trench Drain Pan
SPECIAL FEATURE	Designed to fit the footprint of a tub
PAN SIZE	32" x 60"
MATERIAL	Cast Marble
FLOOR PATTERN	Traditional
FINISH	Matte, Textured, Non-Slip
BACKWALL	59 7/8"
SIDE WALLS	31 7/8"
DRAIN LOCATION	Offset - Left or Right
CENTER OF DRAIN MEASURES	14 1/16" from backwall, 8 1/2" from side wall
DIMENSIONS	NOTE: Finished product dimensions may vary +/- 1/8" from drawings
DRAIN OPENING	3 1/4"
TRENCH WIDTH	4 1/2"
DRAIN COVER	26"
FRONT CURB	Integral, 3" w x 3" h
FLANGE	1" on side and backwalls - attached at factory
WEIGHT	~ 197#
STANDARD	Mincey Classic™



**CONTACT OUR SALES STAFF**

M-F: 8:00 am - 5:00 pm Eastern

**770-532-0451**

**WE'RE HERE TO HELP**

Request a product sample, color sample or get a quote.

[sales@minceymarble.com](mailto:sales@minceymarble.com)  
[samples@minceymarble.com](mailto:samples@minceymarble.com)

**PRODUCT SPECIFICATIONS**

**TD-3260: 32 x 60 Trench Drain Renovation Shower Pan**



SLOPE Pan is sloped toward the drain at 2%

CSI NUMBER 22 42 23

**COLORS**

ALMOND 7800

BONE 7670

CREAM 7400

IVORY 7300

WHITE 2250

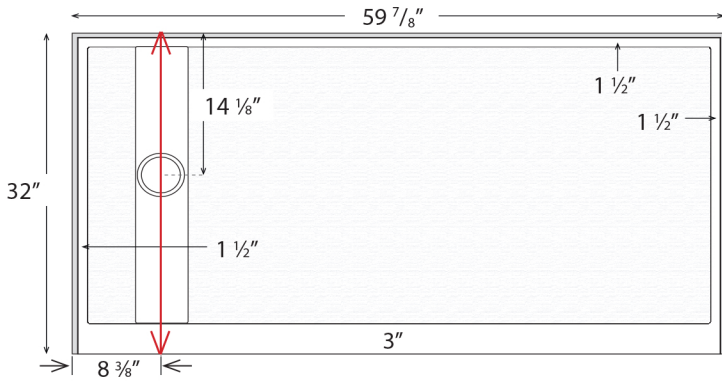
LIGHT GRAY 7256

PUTTY 7000

**SPECIAL NOTES**

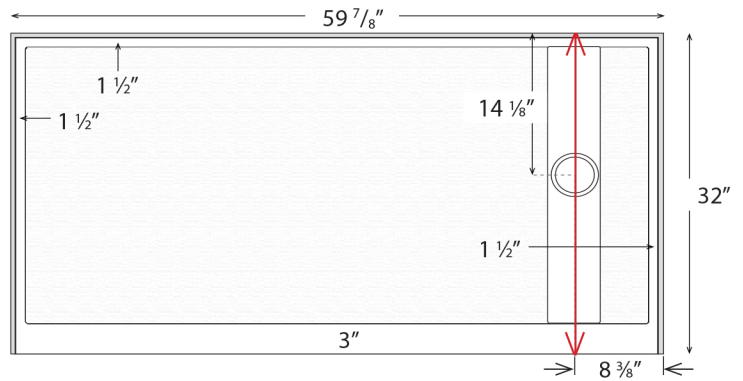
- Standards and Ratings:
  - CSA B45-5/IAPMO Z124-2011
  - MAS Certified Green. Compliant with ANSI/BIFMA X7.1 Standard
  - ANSI A137.1 (average rating of 0.65)
  - ANSI A326.3 (average rating of 0.72)
  - ANSI/NFSI B101.3 (average rating of 0.66)
- Suggested Drains:
  - Sioux Chief Mfg. model: 825-2P – PVC
  - Oatey part number: 42045 – PVC
  - Oatey part number: 42150 – Brass
- NOTE: Finished product dimensions may vary +/- 1/8" from drawings
- NOTE: Drain is not included with pan

**TD-3260-OS/SF-RENO-L**



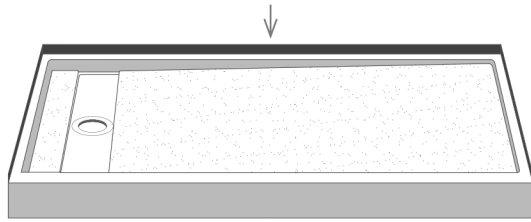
Finished product dimensions may vary by +/- 1/8" from drawings.

**TD-3260-OS/SF-RENO-R**



Finished product dimensions may vary by +/- 1/8" from drawings.

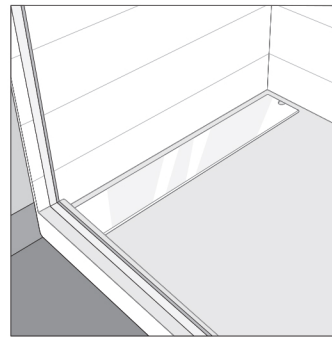
1" Flange Attached at Factory on Back & Sides



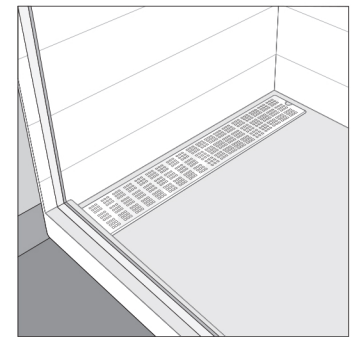
Integral Curb 3" Tall

Left Hand Drain Shown. Left & Right Hand Drain Available.

Drain Cover Options

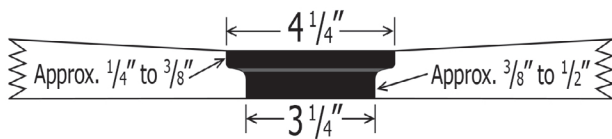


Solid



Decorative

Drain Detail:



For an additional charge, Powder Coating options are available. Please contact our sales associates for more information.

