

PRODUCT SPECIFICATIONS

TD-3060: 30 x 60 Trench Drain Renovation Shower Pan



STANDARD FEATURES

- Optimal for tub-to-shower conversions - drain is in the same place as a typical tub drain
- Solid one-piece cast marble
- Durable gel coat surface
- Pre-leveled-rests on subfloor
- Extremely sanitary
- Will not mold or mildew
- Easy to install
- Maintenance-free
- Manufactured in the U.S.A.
- Trench drain with removable cover for easy cleaning
- Recommended: add Shower Pan Liners to protect pans during construction

APPLICATIONS

- Designed for use in New Construction and Renovation Projects
- Fits in the footprint of a standard tub
- Hospitality | Multifamily | Senior Living | Student Housing | Military Housing

ITEM NUMBER

- TD-3060-OS-SF-RENO



TECHNICAL SPECIFICATIONS

MODEL Renovation Trench Drain Pan

SPECIAL FEATURE Designed to fit the footprint of a tub

PAN SIZE 30" x 60"

MATERIAL Cast Marble

FLOOR PATTERN Traditional

FINISH Matte, Textured, Non-Slip

BACKWALL 59 7/8"

SIDE WALLS 29 7/8"

DRAIN LOCATION Offset - (specify left or right)

CENTER OF DRAIN MEASURES 14 3/16" from backwall, 8 1/2" from side wall

DIMENSIONS NOTE: Finished product dimensions may vary +/- 1/8" from drawings

DRAIN OPENING 3 1/4"

TRENCH WIDTH 4 3/4"

DRAIN COVER 25"

FRONT CURB Integral, 3" w x 3" h

FLANGE 1" on side and backwalls - attached at factory

WEIGHT ~ 197#

STANDARD Mincey Classic™



CONTACT OUR SALES STAFF

M-F: 8:00 am - 5:00 pm Eastern

770-532-0451

WE'RE HERE TO HELP

Request a product sample, color sample or get a quote.

sales@minceymarble.com
samples@minceymarble.com

PRODUCT SPECIFICATIONS

TD-3060: 30 x 60 Trench Drain Renovation Shower Pan



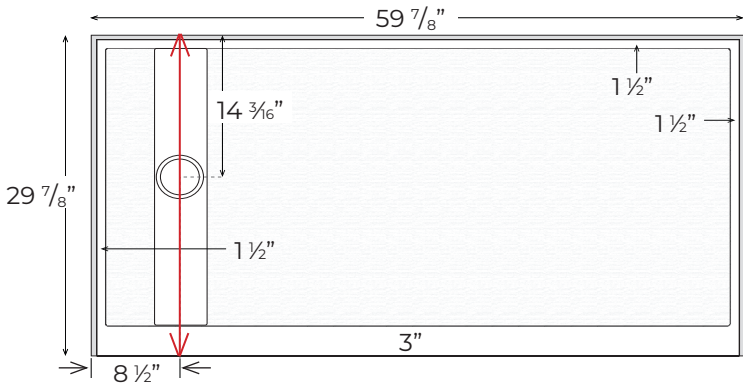
SLOPE	Pan is sloped toward the drain at 2%
CSI NUMBER	22 42 23

COLORS	
ALMOND	7800
BONE	7670
CREAM	7400
IVORY	7300
WHITE	2250
LIGHT GRAY	7256
PUTTY	7000

SPECIAL NOTES

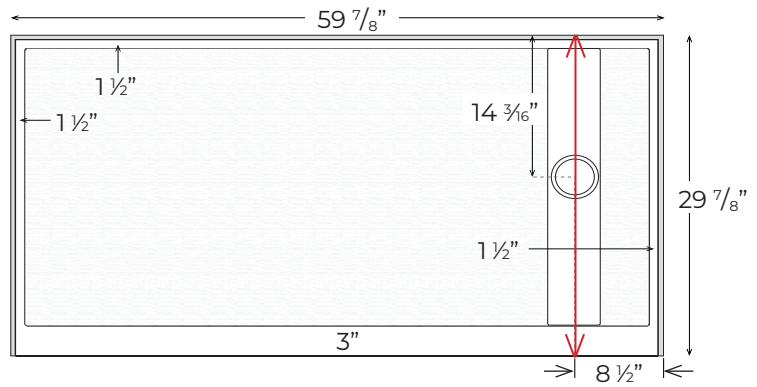
- Standards and Ratings:
 - CSA B45-5/IAPMO Z124-2011
 - MAS Certified Green. Compliant with ANSI/BIFMA X7.1 Standard
 - ANSI A137.1 (average rating of 0.65)
 - ANSI A326.3 (average rating of 0.72)
 - ANSI/NFSI B101.3 (average rating of 0.66)
- Suggested Drains:
 - Sioux Chief Mfg. model: 825-2P – PVC
 - Oatey part number: 42045 – PVC
 - Oatey part number: 42150 – Brass
- NOTE: Finished product dimensions may vary +/- 1/8" from drawings
- NOTE: Drain is not included with pan

TD-3060-OS/SF-RENO-L



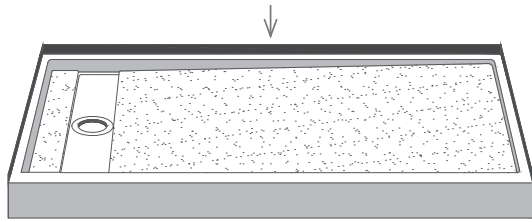
Finished product dimensions may vary by +/- 1/8" from drawings.

TD-3060-OS/SF-RENO-R



Finished product dimensions may vary by +/- 1/8" from drawings.

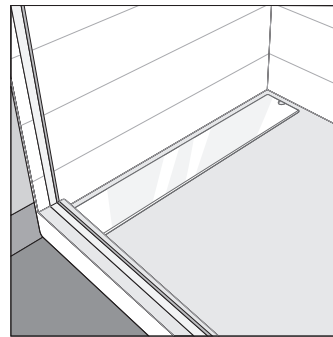
1" Flange Attached at Factory on Back & Sides



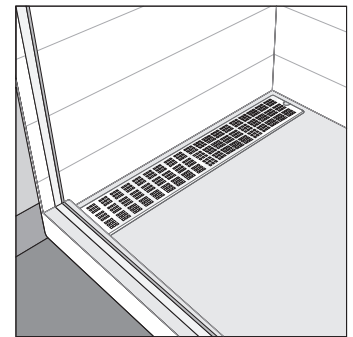
Integral Curb 3" Tall

Left Hand Drain Shown. Left & Right Hand Drain Available.

Drain Cover Options

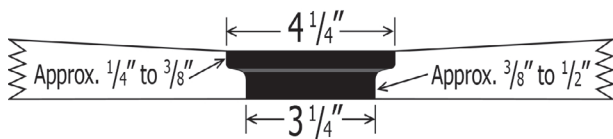


Solid



Decorative

Drain Detail:



For an additional charge, Powder Coating options are available. Please contact our sales associates for more information.

