

PRODUCT SPECIFICATIONS

SP-3756: 37 x 56 Pan - 10" Offset Drain



STANDARD FEATURES

- Solid one - piece construction
- Abrasion resistant gel coat surface
- Seamless
- Pre-leveled - rests on sub floor
- Extremely sanitary
- Will not mold or mildew
- Easy to install
- Maintenance free
- Manufactured in the U.S.A.

ITEM NUMBER

- SP-3756-OS-SF

TECHNICAL SPECIFICATIONS

MODEL	Off-Set Drain
PAN SIZE	37" x 56"
FLOOR PATTERN	Traditional
FINISH	Matte, Textured, Non-Slip
BACKWALL	56 1/8"
SIDE WALLS	37 5/8"
DRAIN LOCATION	Off-Set - (specify left or right)
CENTER OF DRAIN MEASURES	18" from backwall, 10" from side wall
DRAIN OPENING	3 1/4"
FRONT CURB	Integral - 3" w x 4" h
FLANGE	1" on side and backwalls - attached at factory
WEIGHT	~225#
STANDARD	Mincey Classic™
CSI NUMBER	22 42 23

COLORS

ALMOND	7800
BONE	7670
CREAM	7400
IVORY	7300
WHITE	2250
LIGHT GRAY	7256
PUTTY	7000



CONTACT OUR SALES STAFF

M-F: 8:00 am - 5:00 pm
Eastern

770-532-0451



WE'RE HERE TO HELP

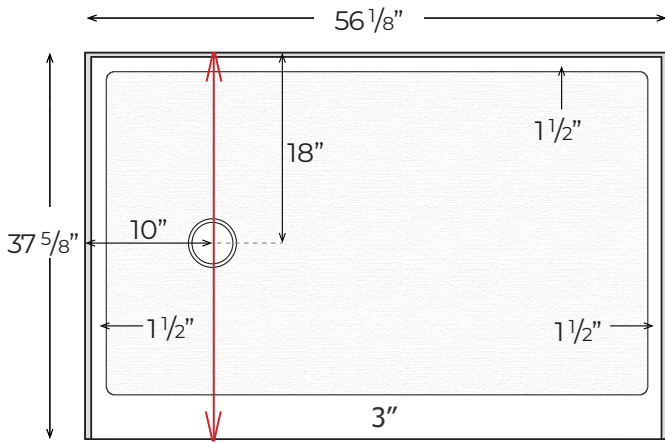
Request a product sample, color
sample or get a quote.

sales@minceymarble.com
samples@minceymarble.com

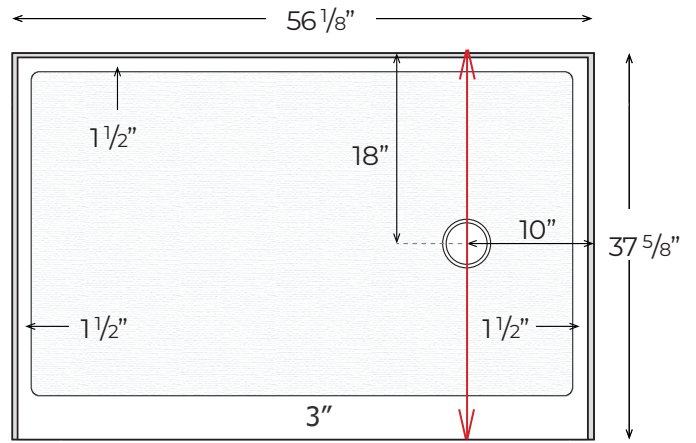
SPECIAL NOTES

- Standards and Ratings:
- CSA B45-5/APMO Z124-2011
- MAS Certified Green. Compliant with ANSI/BIFMA X7.1 Standard
- ANSI A137.1 (average rating of 0.65)
- ANSI A326.3 (average rating of 0.72)
- ANSI/NFSI B101.3 (average rating of 0.66)
- Suggested Drains:
- Sioux Chief Mfg. model: 825-2P – PVC
- Oatey part number: 42045 – PVC
- Oatey part number: 42150 – Brass
- Kohler model: K9132 – Stainless Steel
- NOTE: Drain is not included with pan

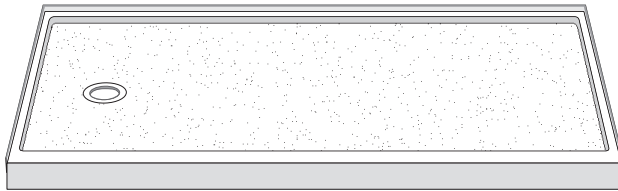
SP-3756-OS/SF-L



SP-3756-OS/SF-R



1" Flange Attached at Factory Back & Sides



Integral 3" Curb

Drain Detail:

