

PRODUCT SPECIFICATIONS

SP-3660: 36 x 60 Center Drain Shower Pan



STANDARD FEATURES

- Solid one-piece cast marble
- Durable gel coat surface
- Pre-leveled-rests on subfloor
- Extremely sanitary
- Will not mold or mildew
- Easy to install
- Maintenance-free
- Manufactured in the U.S.A.
- Recommended: add Shower Pan Liners to protect pans during construction

APPLICATIONS

- Hospitality | Multifamily | Senior Living | Student Housing | Military Housing

ITEM NUMBER

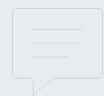
- SP-3660-C-SF

TECHNICAL SPECIFICATIONS

| | |
|--------------------------|---|
| MODEL | Center Drain |
| PAN SIZE | 36" x 60" |
| MATERIAL | Cast Marble |
| FLOOR PATTERN | Traditional |
| FINISH | Matte, Textured, Non-Slip |
| BACKWALL | 59 7/8" |
| SIDE WALLS | 35 7/8" |
| DRAIN LOCATION | Center |
| CENTER OF DRAIN MEASURES | 17 1/4" from backwall, 29 15/16" from side wall |
| DIMENSIONS | NOTE: Finished product dimensions may vary +/- 1/8" from drawings |
| FRONT CURB | Integral - 3" w x 3" h |
| FLANGE | 1" on side and backwalls - attached at factory |
| WEIGHT | ~ 234# |
| STANDARD | Mincey Classic™ |
| SLOPE | Pan is sloped toward the drain at 2% |
| CSI NUMBER | 22 42 23 |

COLORS

| | |
|--------|------|
| ALMOND | 7800 |
| BONE | 7670 |
| CREAM | 7400 |



CONTACT OUR SALES STAFF

M-F: 8:00 am - 5:00 pm Eastern

770-532-0451

WE'RE HERE TO HELP

Request a product sample, color sample or get a quote.

sales@minceymarble.com
samples@minceymarble.com

PRODUCT SPECIFICATIONS

SP-3660: 36 x 60 Center Drain Shower Pan

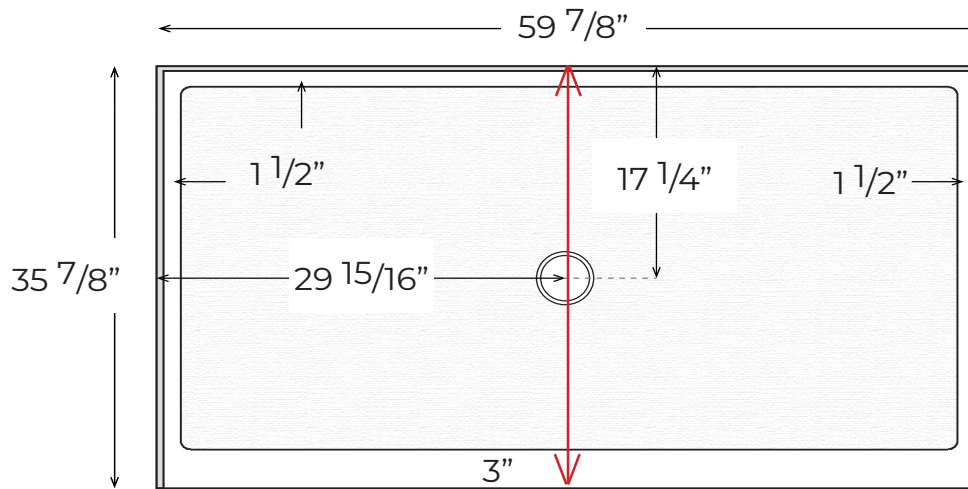


| | |
|------------|------|
| IVORY | 7300 |
| WHITE | 2250 |
| LIGHT GRAY | 7256 |
| PUTTY | 7000 |

SPECIAL NOTES

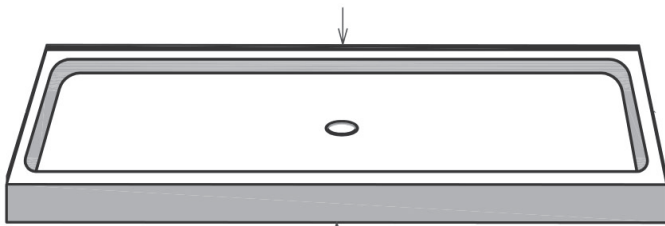
- Standards and Ratings:
- CSA B45-5/IAPMO Z124-2011
- MAS Certified Green. Compliant with ANSI/BIFMA X7.1 Standard
- ANSI A137.1 (average rating of 0.65)
- ANSI A326.3 (average rating of 0.72)
- ANSI/NFSI B101.3 (average rating of 0.66)
- Suggested Drains:
- Sioux Chief Mfg. model: 825-2P – PVC
- Oatey part number: 42045 – PVC
- Oatey part number: 42150 – Brass
- NOTE: Finished product dimensions may vary +/- 1/8" from drawings
- NOTE: Drain is not included with pan

SP-3660-C-SF



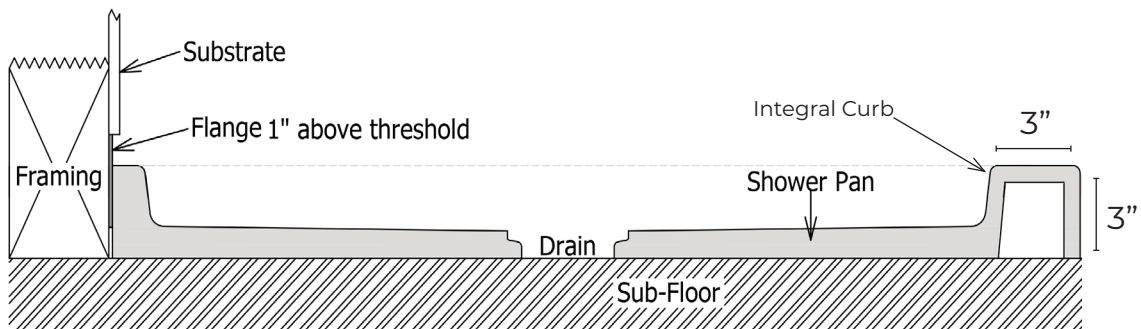
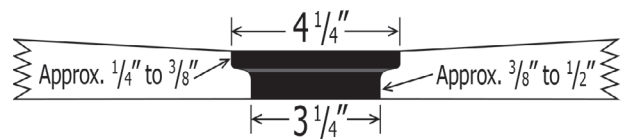
Finished product dimensions may vary by +/- 1/8" from drawings.

1" Flange Attached at Factory Back & Sides



Integral 3" Curb

Drain Detail:



REV: 11.04.21