

PRODUCT SPECIFICATIONS

SP-3654: 36 x 54 Shower Pan - 9" Offset Drain



STANDARD FEATURES

- Solid one-piece cast marble
- Durable gel coat surface
- Pre-leveled-rests on subfloor
- Extremely sanitary
- Will not mold or mildew
- Easy to install
- Maintenance-free
- Manufactured in the U.S.A.
- Recommended: add Shower Pan Liners to protect pans during construction

APPLICATIONS

- Pan is under development. Confirm final dimensions before ordering.
- Hospitality | Multifamily | Senior Living | Student Housing | Military Housing

ITEM NUMBER

- SP-3654-9inOS-SF

TECHNICAL SPECIFICATIONS

MODEL	Offset Drain Pan
PAN SIZE	36" x 54"
MATERIAL	Cast Marble
FLOOR PATTERN	Traditional
FINISH	Matte, Textured, Non-Slip
BACKWALL	54"
SIDE WALLS	36 1/8"
DRAIN LOCATION	9 3/8" Offset - (specify left or right)
CENTER OF DRAIN MEASURES	17" from backwall, 9 3/8" from side wall
DIMENSIONS	NOTE: Finished product dimensions may vary +/- 1/8" from drawings
DRAIN OPENING	3 1/4"
FRONT CURB	Integral - 4" w x 4" h
FLANGE	1" on side and backwalls - attached at factory
WEIGHT	~ 234#
STANDARD	Mincey Classic™
SLOPE	Pan is sloped toward the drain at 2%
CSI NUMBER	22 42 23
COLORS	
ALMOND	7800
BONE	7670



CONTACT OUR SALES STAFF

M-F: 8:00 am - 5:00 pm Eastern

770-532-0451

WE'RE HERE TO HELP

Request a product sample, color sample or get a quote.

sales@minceymarble.com
samples@minceymarble.com

PRODUCT SPECIFICATIONS

SP-3654: 36 x 54 Shower Pan - 9" Offset Drain



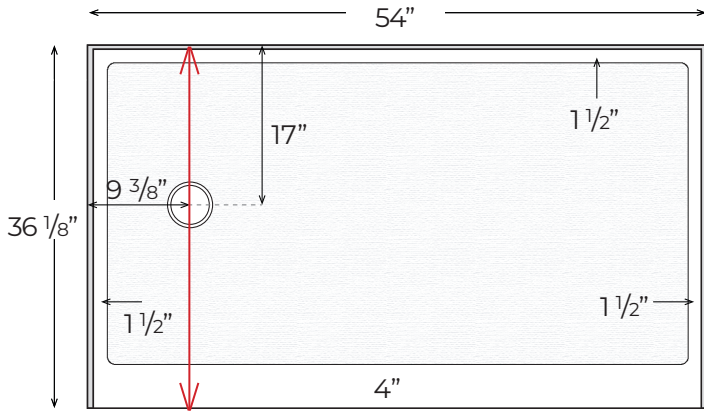
CREAM	7400
IVORY	7300
WHITE	2250
LIGHT GRAY	7256
PUTTY	7000

SPECIAL NOTES

- Standards and Ratings:
- CSA B45-5/IAPMO Z124-2011
- MAS Certified Green. Compliant with ANSI/BIFMA X7.1 Standard
- ANSI A137.1 (average rating of 0.65)
- ANSI A326.3 (average rating of 0.72)
- ANSI/NFSI B101.3 (average rating of 0.66)
- Suggested Drains:
- Sioux Chief Mfg. model: 825-2P – PVC
- Oatey part number: 42045 – PVC
- Oatey part number: 42150 – Brass
- NOTE: Finished product dimensions may vary +/- 1/8" from drawings
- NOTE: Drain is not included with pan

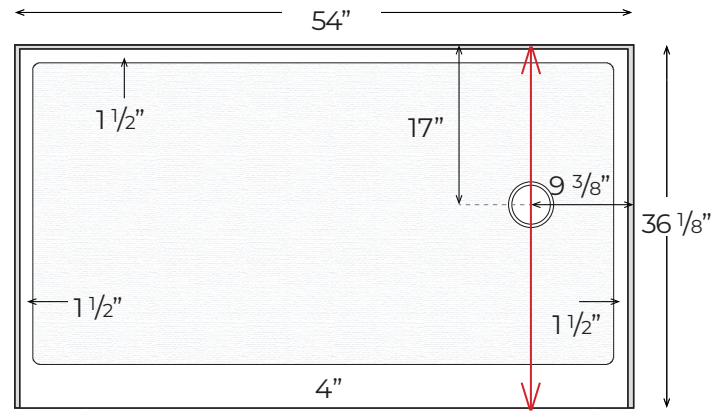
Pan is under development. Confirm final dimensions before ordering.

SP-3654-9"OS/SF-L



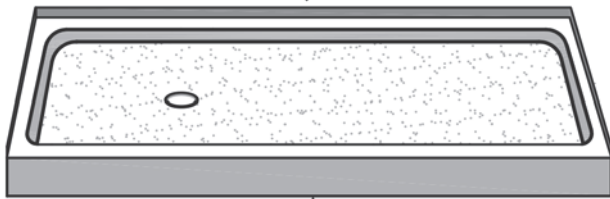
Finished product dimensions may vary by +/- 1/8" from drawings.

SP-3654-9"OS/R



Finished product dimensions may vary by +/- 1/8" from drawings.

1" Flange Attached at Factory Back & Sides



Integral 4" Curb

Drain Detail:

