

**PRODUCT SPECIFICATIONS**

**SP-3648: 36 x 48 Corner Drain Shower Pan**



**STANDARD FEATURES**

- Solid one-piece cast marble
- Durable gel coat surface
- Pre-leveled-rests on subfloor
- Extremely sanitary
- Will not mold or mildew
- Easy to install
- Maintenance-free
- Manufactured in the U.S.A.
- Recommended: add Shower Pan Liners to protect pans during construction

**APPLICATIONS**

- Hospitality | Multifamily | Senior Living | Student Housing | Military Housing

**ITEM NUMBER**

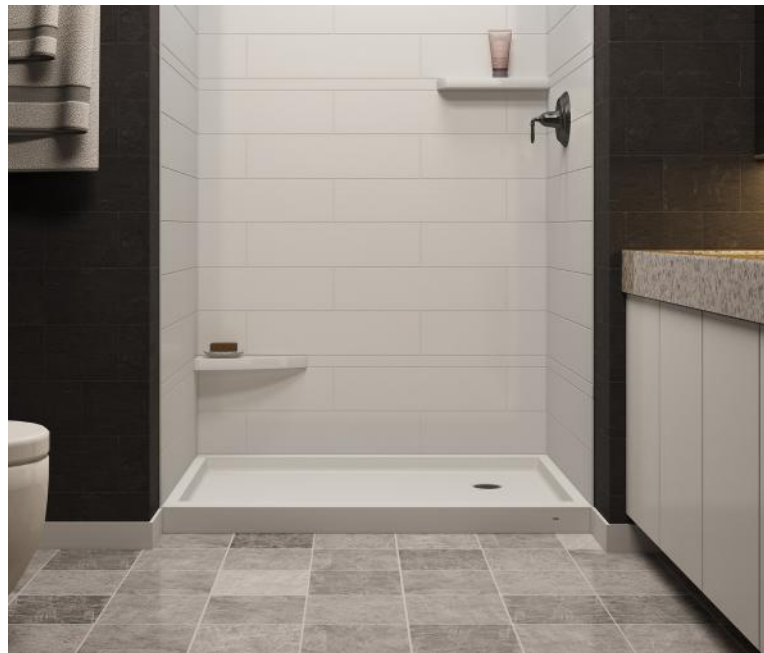
- SP-3648-CD-SF


**TECHNICAL SPECIFICATIONS**

MODEL	Corner Drain
PAN SIZE	36" x 48"
MATERIAL	Cast Marble
FLOOR PATTERN	Traditional
FINISH	Matte, Textured, Non-Slip
BACKWALL	47 3/4"
SIDE WALLS	35 7/8"
DRAIN LOCATION	Offset Corner - (specify left or right)
CENTER OF DRAIN MEASURES	10" from backwall, 8" from side wall
DIMENSIONS	NOTE: Finished product dimensions may vary +/- 1/8" from drawings
DRAIN OPENING	3 1/4"
FRONT CURB	Integral, 3" w x 3" h
FLANGE	1" on side and backwalls - attached at factory
WEIGHT	~ 201#
STANDARD	Mincey Classic™
SLOPE	Pan is sloped toward the drain at 2%
CSI NUMBER	22 42 23

**COLORS**

ALMOND	7800
BONE	7670

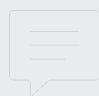




**CONTACT OUR SALES STAFF**

M-F: 8:00 am - 5:00 pm Eastern

**770-532-0451**



**WE'RE HERE TO HELP**

Request a product sample, color sample or get a quote.

**sales@minceymarble.com**  
**samples@minceymarble.com**

**PRODUCT SPECIFICATIONS**

**SP-3648: 36 x 48 Corner Drain Shower Pan**

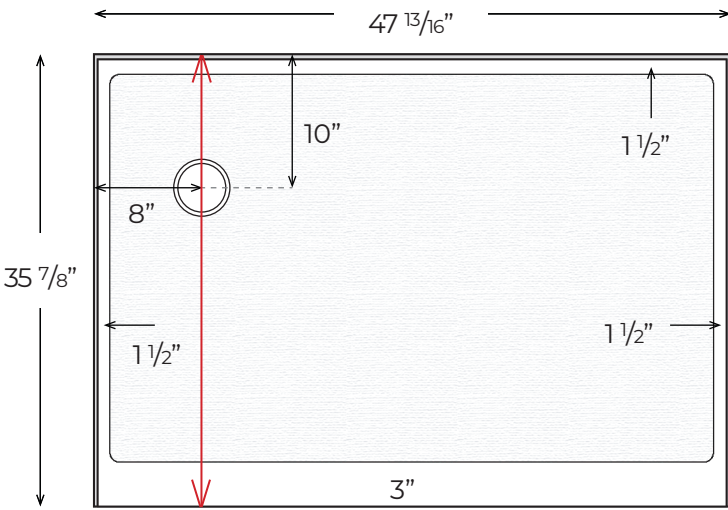


CREAM	7400
IVORY	7300
WHITE	2250
LIGHT GRAY	7256
PUTTY	7000

**SPECIAL NOTES**

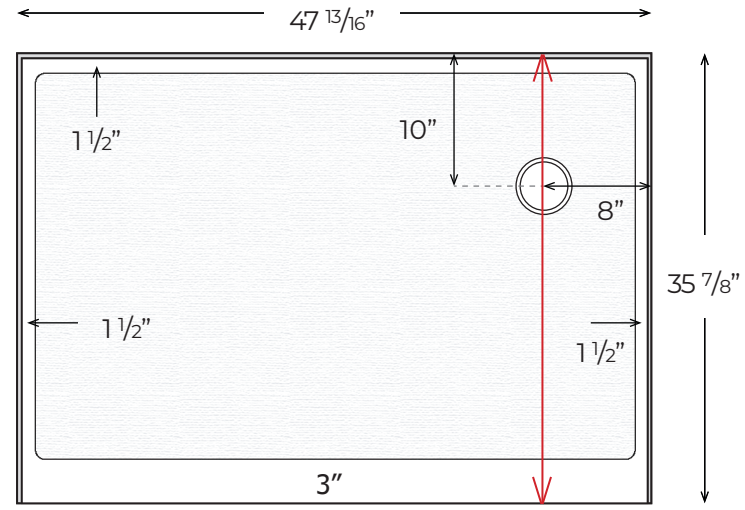
- Standards and Ratings:
- CSA B45-5/IAPMO Z124-2011
- MAS Certified Green. Compliant with ANSI/BIFMA X7.1 Standard
- ANSI A137.1 (average rating of 0.65)
- ANSI A326.3 (average rating of 0.72)
- ANSI/NFSI B101.3 (average rating of 0.66)
- Suggested Drains:
- Sioux Chief Mfg. model: 825-2P – PVC
- Oatey part number: 42045 – PVC
- Oatey part number: 42150 – Brass
- NOTE: Finished product dimensions may vary +/- 1/8" from drawings
- NOTE: Drain is not included with pan

SP-3648-CD/SF-L



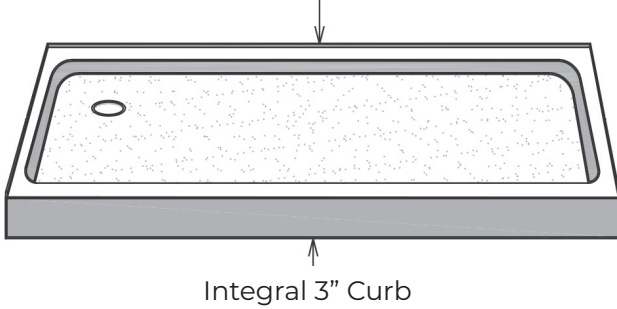
Finished product dimensions may vary by +/- 1/8" from drawings.

SP-3648-CD/SF-R

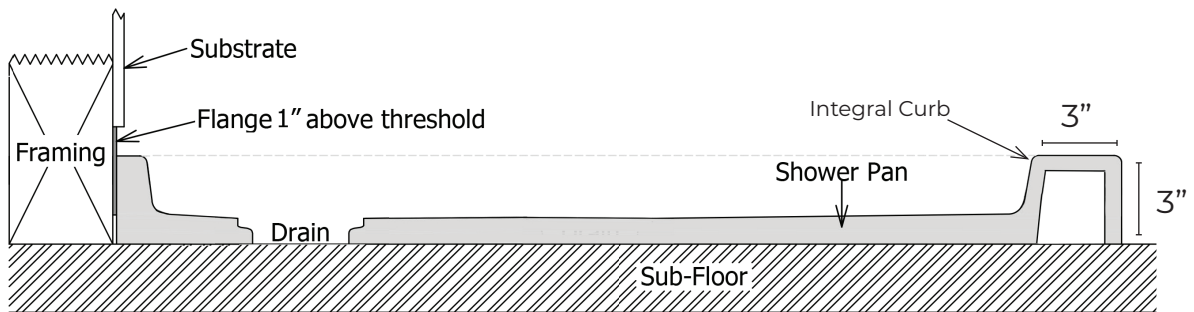
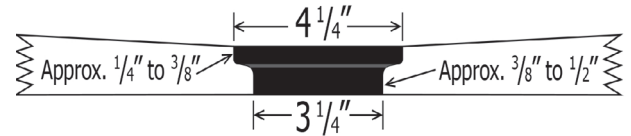


Finished product dimensions may vary by +/- 1/8" from drawings.

1" Flange Attached at Factory Back & Sides



Drain Detail:



REV: 11.04.21