

PRODUCT SPECIFICATIONS

SP-3448: 34 x 48 Center Drain Shower Pan



STANDARD FEATURES

- Solid one-piece cast marble
- Durable gel coat surface
- Pre-leveled-rests on subfloor
- Extremely sanitary
- Will not mold or mildew
- Easy to install
- Maintenance-free
- Manufactured in the U.S.A.
- Recommended: add Shower Pan Liners to protect pans during construction

APPLICATIONS

- Hospitality | Multifamily | Senior Living | Student Housing | Military Housing

ITEM NUMBER

- SP-3448-C-SF

TECHNICAL SPECIFICATIONS

MODEL Center Drain

PAN SIZE 34" x 48"

MATERIAL Cast Marble

FLOOR PATTERN Traditional

FINISH Matte, Textured, Non-Slip

BACKWALL 47 3/4"

SIDE WALLS 33 3/4"

DRAIN LOCATION Center

CENTER OF DRAIN MEASURES 15 3/8" from backwall, 23 7/8" from side wall

DIMENSIONS NOTE: Finished product dimensions may vary +/- 1/8" from drawings

DRAIN OPENING 3 1/4"

FRONT CURB Integral, 3" w x 3" h

FLANGE 1" on side and backwalls - attached at factory

WEIGHT ~ 162#

STANDARD Mincey Classic™

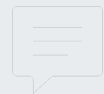
SLOPE Pan is sloped toward the drain at 2%

CSI NUMBER 22 42 23

COLORS

ALMOND 7800

BONE 7670



CONTACT OUR SALES STAFF

M-F: 8:00 am - 5:00 pm
Eastern

770-532-0451

WE'RE HERE TO HELP

Request a product sample, color sample or get a quote.

sales@minceymarble.com
samples@minceymarble.com

PRODUCT SPECIFICATIONS

SP-3448: 34 x 48 Center Drain Shower Pan

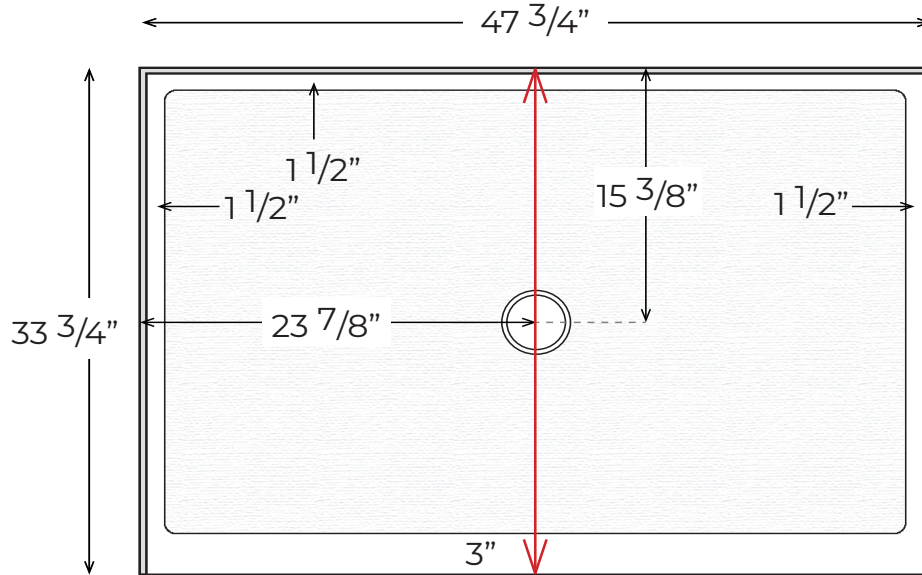


CREAM	7400
IVORY	7300
WHITE	2250
LIGHT GRAY	7256
PUTTY	7000

SPECIAL NOTES

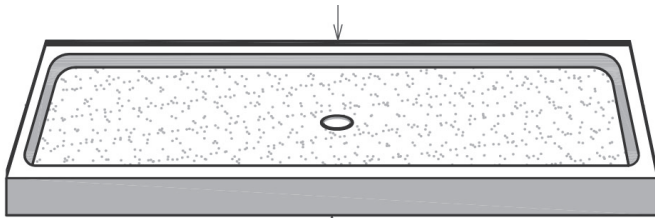
- Standards and Ratings:
- CSA B45-5/IAPMO Z124-2011
- MAS Certified Green. Compliant with ANSI/BIFMA X7.1 Standard
- ANSI A137.1 (average rating of 0.65)
- ANSI A326.3 (average rating of 0.72)
- ANSI/NFSI B101.3 (average rating of 0.66)
- Suggested Drains:
- Sioux Chief Mfg. model: 825-2P – PVC
- Oatey part number: 42045 – PVC
- Oatey part number: 42150 – Brass
- NOTE: Finished product dimensions may vary +/- 1/8" from drawings
- NOTE: Drain is not included with pan

SP-3448-C-SF



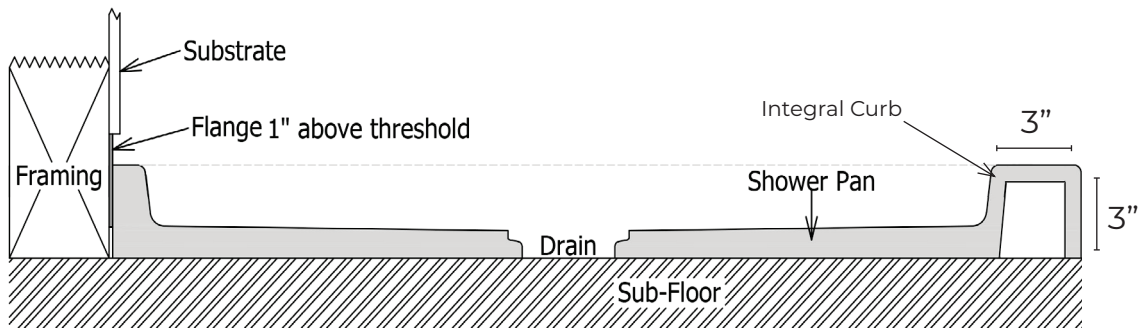
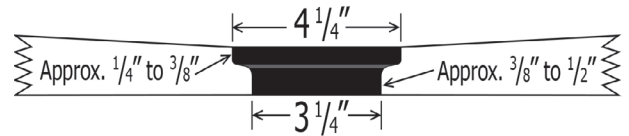
Finished product dimensions may vary by +/- 1/8" from drawings.

1" Flange Attached at Factory Back & Sides



Integral 3" Curb

Drain Detail:



REV: 11.04.21