

PRODUCT SPECIFICATIONS

RI-36-ADJ-62: 36 x 62 Adjustable Roll-In Shower Pan



STANDARD FEATURES

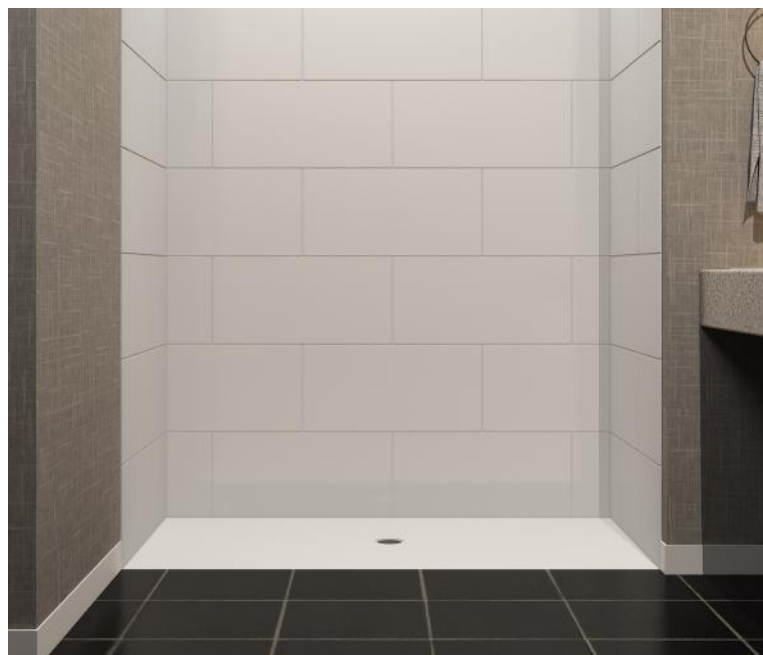
- Depth customizable from 31" to 36"
- Solid one-piece cast marble
- Durable gel coat surface
- Pre-leveled-rests on subfloor
- Extremely sanitary
- Will not mold or mildew
- Easy to install
- Maintenance-free
- Manufactured in the U.S.A.
- Recommended: add Shower Pan Liners to protect pans during construction

RECOMMENDED USE

- Designed for use in ADA compliant rooms
- Hospitality | Multifamily | Senior Living | Student Housing | Military Housing

ITEM NUMBER


- RI-36-ADJ-62-C-SF



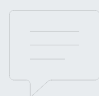
TECHNICAL SPECIFICATIONS

MODEL	Adjustable Roll-In Pan
PAN SIZE	31" - 36" Adjustable x 62"
MATERIAL	Cast Marble
FLOOR PATTERN	Traditional
FINISH	Matte, Textured, Non-Slip
BACKWALL	62"
SIDE WALLS	36"
DRAIN LOCATION	Fixed - Center
CENTER OF DRAIN MEASURES	18" from backwall, 31" from side wall
DRAIN OPENING	3 1/4"
FRONT CURB	None. Floor will tile up to the entrance of the pan forming the ramp
FLANGE	~4" on side and back walls - attached at factory
WEIGHT	~218#
STANDARD	Mincey Classic™
SLOPE	Pan is sloped toward the drain at 2%
CSI NUMBER	22 42 33

COLORS	
ALMOND	7800
BONE	7670
CREAM	7400



CONTACT OUR SALES STAFF
M-F: 8:00 am - 5:00 pm Eastern
770-532-0451



WE'RE HERE TO HELP
Request a product sample, color sample or get a quote.
sales@minceymarble.com
samples@minceymarble.com

PRODUCT SPECIFICATIONS

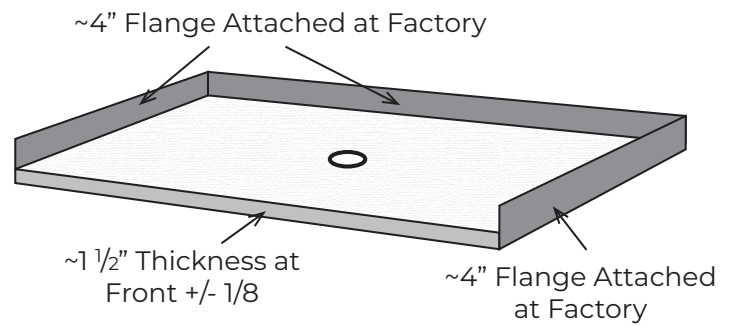
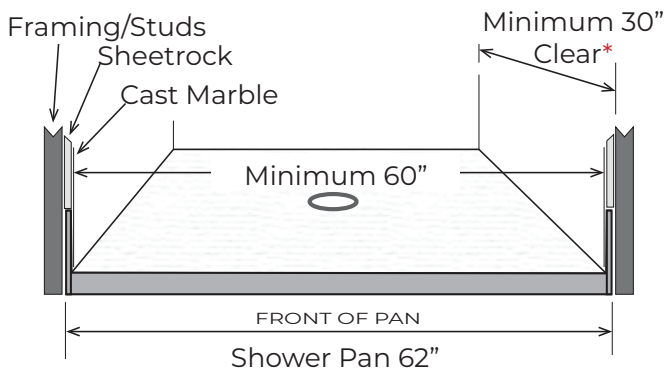
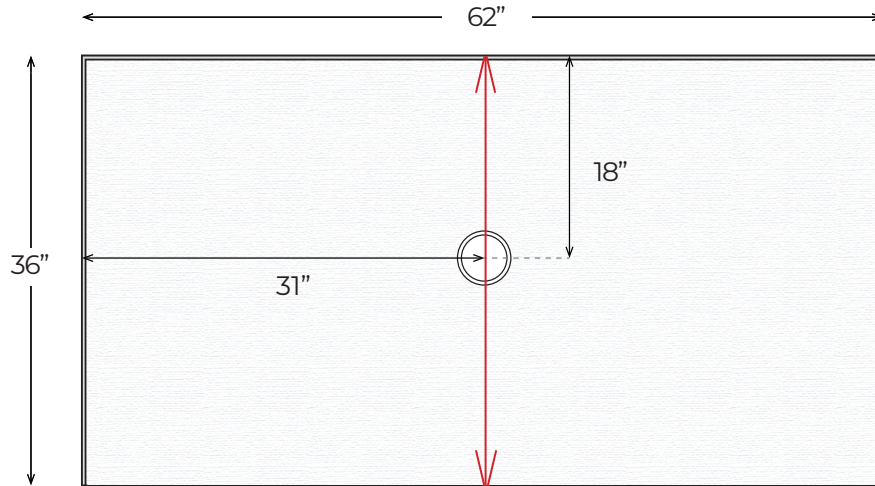
RI-36-ADJ-62: 36 x 62 Adjustable Roll-In Shower Pan



IVORY	7300
WHITE	2250
LIGHT GRAY	7256
PUTTY	7000

SPECIAL NOTES

- Standards and Ratings:
- CSA B45-5/IAPMO Z124-2011
- MAS Certified Green. Compliant with ANSI/BIFMA X7.1 Standard
- ANSI A137.1 (average rating of 0.65)
- ANSI A326.3 (average rating of 0.72)
- ANSI/NFSI B101.3 (average rating of 0.66)
- Suggested Drains:
- Sioux Chief Mfg. model: 825-2P – PVC
- Oatey part number: 42045 – PVC
- Oatey part number: 42150 – Brass
- NOTE: Drain is not included with pan



Note The ADA code requires the finished opening of a roll-in shower pan to measure a minimum of 60" left to right and 30" front to back.

Drain Detail:

