

## PRODUCT SPECIFICATIONS

### RI-3162: 31 x 62 Roll-In Shower Pan



#### STANDARD FEATURES

- Solid one-piece cast marble
- Durable gel coat surface
- Pre-leveled-rests on subfloor
- Extremely sanitary
- Will not mold or mildew
- Easy to install
- Maintenance-free
- Manufactured in the U.S.A.
- Recommended: add Shower Pan Liners to protect pans during construction

#### APPLICATIONS

- Designed for use in ADA compliant rooms
- Hospitality | Multifamily | Senior Living | Student Housing | Military Housing

#### ITEM NUMBER

- RI-3162-C-SF

#### TECHNICAL SPECIFICATIONS

MODEL Roll-In Pan

PAN SIZE 31" x 62"

MATERIAL Cast Marble

FLOOR PATTERN Traditional

FINISH Matte, Textured, Non-Slip

BACKWALL 62"

SIDE WALLS 31"

DRAIN LOCATION Fixed - Center

CENTER OF DRAIN MEASURES 15 1/2" from backwall, 31" from side wall

DRAIN OPENING 3 1/4"

FRONT CURB None. Floor will tile up to the entrance of the pan forming the ramp

FLANGE ~4" on side and back walls - attached at factory

WEIGHT ~193#

STANDARD Mincey Classic™

SLOPE Pan is sloped toward the drain at 2%

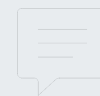
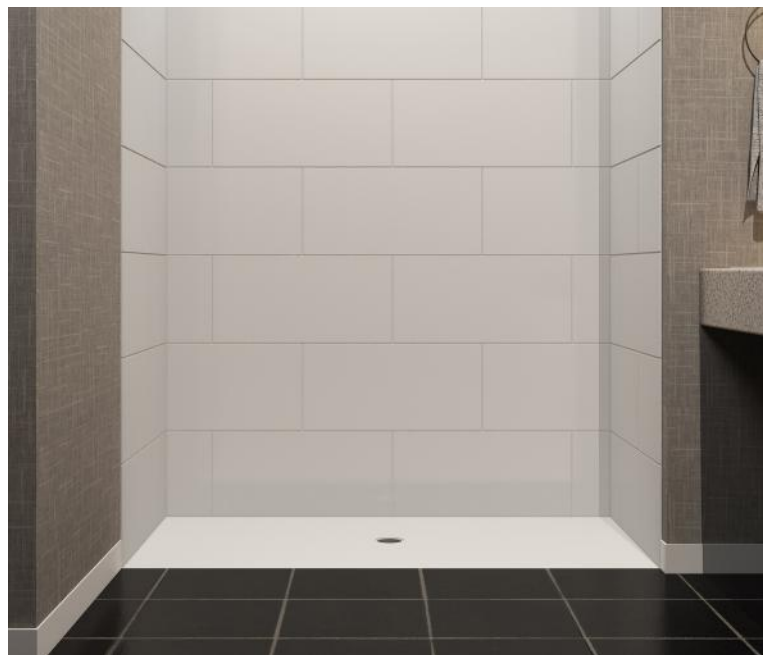
CSI NUMBER 22 42 23

#### COLORS

ALMOND 7800

BONE 7670

CREAM 7400



#### CONTACT OUR SALES STAFF

M-F: 8:00 am - 5:00 pm  
Eastern

770-532-0451

#### WE'RE HERE TO HELP

Request a product sample, color sample or get a quote.

[sales@minceymarble.com](mailto:sales@minceymarble.com)  
[samples@minceymarble.com](mailto:samples@minceymarble.com)

**PRODUCT SPECIFICATIONS**

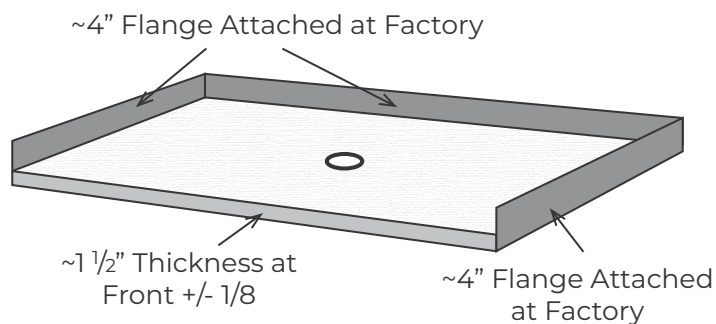
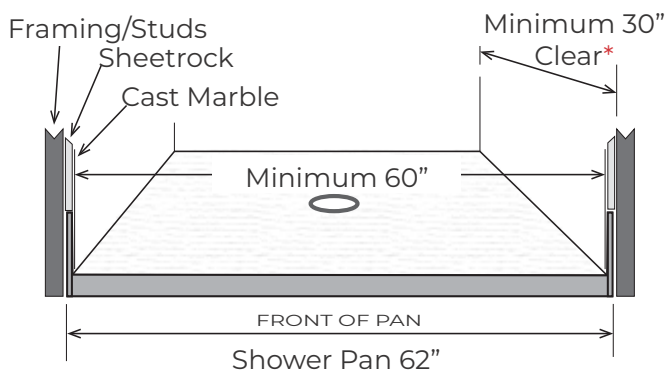
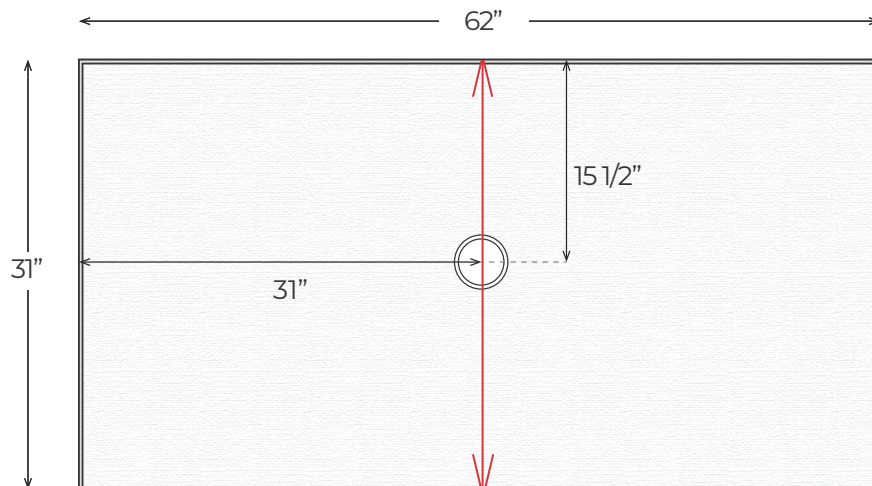
**RI-3162: 31 x 62 Roll-In Shower Pan**



IVORY	7300
WHITE	2250
LIGHT GRAY	7256
PUTTY	7000

**SPECIAL NOTES**

- Standards and Ratings:
- CSA B45-5/IAPMO Z124-2011
- MAS Certified Green. Compliant with ANSI/BIFMA X7.1 Standard
- ANSI A137.1 (average rating of 0.65)
- ANSI A326.3 (average rating of 0.72)
- ANSI/NFSI B101.3 (average rating of 0.66)
- Suggested Drains:
- Sioux Chief Mfg. model: 825-2P – PVC
- Oatey part number: 42045 – PVC
- Oatey part number: 42150 – Brass
- NOTE: Drain is not included with pan



**\*Note\*** The ADA code requires the finished opening of a roll-in shower pan to measure a minimum of 60" left to right and 30" front to back.

Drain Detail:

