

## PRODUCT SPECIFICATIONS

### CFP-TD-30-3460: 30-34 x 60 Curved Front Trench Drain Shower Pan



#### STANDARD FEATURES

- Curvature provides extra room in the shower
- Solid one-piece cast marble
- Durable gel coat surface
- Pre-leveled-rests on subfloor
- Extremely sanitary
- Will not mold or mildew
- Easy to install
- Maintenance-free
- Manufactured in the U.S.A.
- Trench drain with removable cover for easy cleaning
- Recommended: add Shower Pan Liners to protect pans during construction

#### APPLICATIONS

- Hospitality | Multifamily | Senior Living | Student Housing | Military Housing

#### ITEM NUMBER

- CFP-TD-30-3460-OS-SF



#### TECHNICAL SPECIFICATIONS

MODEL Curved Front Trench Drain Pan

PAN SIZE 30" - 34" x 60"

MATERIAL Cast Marble

FLOOR PATTERN Traditional

FINISH Matte, Textured, Non-Slip

BACKWALL 60"

SIDE WALLS 30" on short side, 34" from backwall to center of front curb

DRAIN LOCATION Offset - (specify left or right)

CENTER OF DRAIN MEASURES 14 3/16" from backwall, 4" from side wall

DIMENSIONS NOTE: Finished product dimensions may vary +/- 1/8" from drawings

DRAIN OPENING 3 1/4"

TRENCH WIDTH 4 3/4"

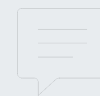
DRAIN COVER 25"

FRONT CURB 3 1/2" w x 3" h

FLANGE 1" on side and backwalls - attached at factory

WEIGHT ~ 256#

SLOPE Pan is sloped toward the drain at 2%



#### CONTACT OUR SALES STAFF

M-F: 8:00 am - 5:00 pm Eastern

770-532-0451

#### WE'RE HERE TO HELP

Request a product sample, color sample or get a quote.

[sales@minceymarble.com](mailto:sales@minceymarble.com)  
[samples@minceymarble.com](mailto:samples@minceymarble.com)

**PRODUCT SPECIFICATIONS**

**CFP-TD-30-3460: 30-34 x 60 Curved Front Trench Drain Shower Pan**

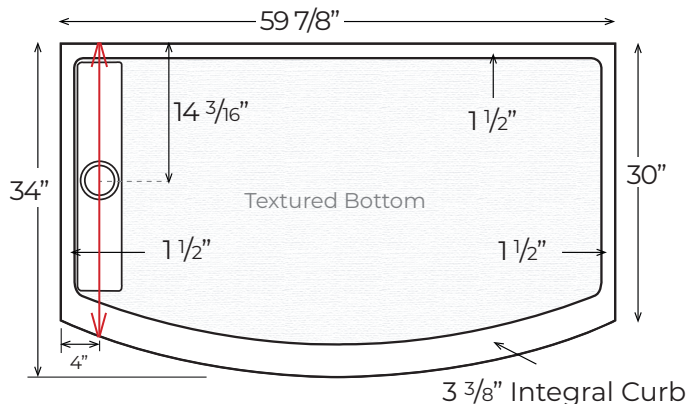


CSI NUMBER	22 42 23
COLORS	
ALMOND	7800
BONE	7670
CREAM	7400
IVORY	7300
WHITE	2250
LIGHT GRAY	7256
PUTTY	7000

**SPECIAL NOTES**

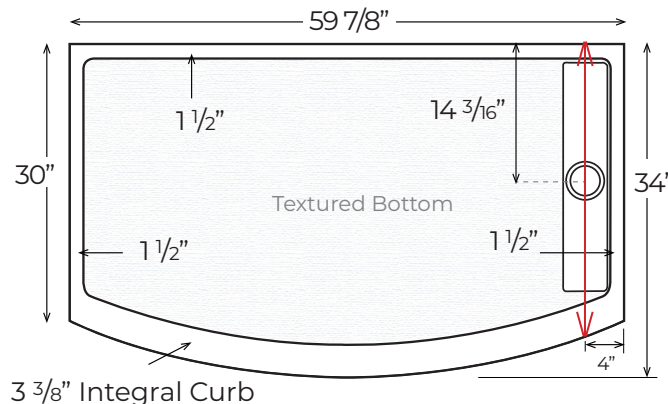
- Standards and Ratings:
- CSA B45-5/IAPMO Z124-2011
- MAS Certified Green. Compliant with ANSI/BIFMA X7.1 Standard
- ANSI A137.1 (average rating of 0.65)
- ANSI A326.3 (average rating of 0.72)
- ANSI/NFSI B101.3 (average rating of 0.66)
- Suggested Drains:
- Sioux Chief Mfg. model: 825-2P – PVC
- Oatey part number: 42045 – PVC
- Oatey part number: 42150 – Brass
- NOTE: Finished product dimensions may vary +/- 1/8" from drawings
- NOTE: Drain is not included with pan

CFP-TD-30-3460-OS/SF-L



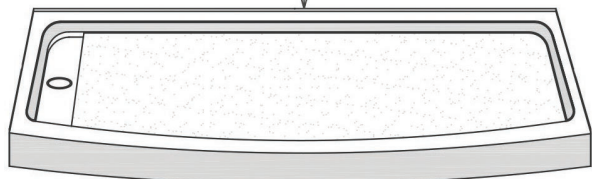
Finished product dimensions may vary by +/- 1/8" from drawings.

CFP-TD-30-3460-OS/SF-R



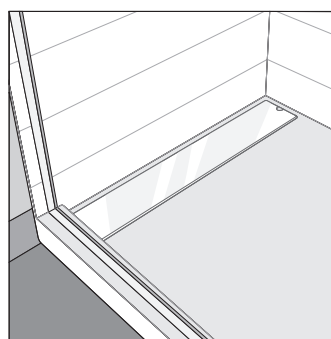
Finished product dimensions may vary by +/- 1/8" from drawings.

1" Flange Attached at Factory on all 3 sides

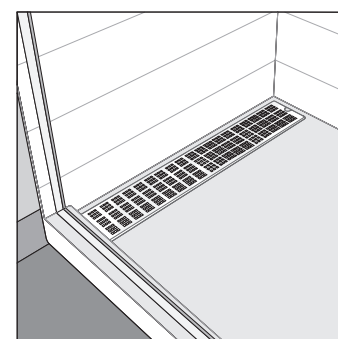


Integral Curb 3" Tall

Drain Cover Options

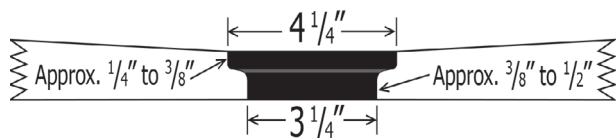


Solid



Decorative

Drain Detail:



For an additional charge, Powder Coating options are available. Please contact our sales associates for more information.

