

PRODUCT SPECIFICATIONS

MINHGD: Hinged Shower Doors



STANDARD FEATURES

- Frameless shower door
- Tempered glass
- Customizable

ITEM NUMBER

- MINHGD-609610CPL

TECHNICAL SPECIFICATIONS

MODEL Mincey Hinged Door

DOOR STYLE Frameless Swing

TYPE 1- fixed glass panel, 1- swinging door. Specify left or right opening. Field measuring required

HEIGHT 74 9/16" (Fixed Panel Variable - *up to 96")

WIDTH 28" (Fixed Panel Variable)

CLEARANCE HEIGHT To the ceiling

GLASS THICKNESS 10mm (3/8")

GLASS TYPE Clear or Acid Etched

STANDARD HARDWARE Back to back handle. 3/4" U Channels

HARDWARE OPTIONS Towel bar

CSI NUMBER 10 28 19

COLORS

POLISHED PL

BRUSHED BR

BLACK MATTE BK

SPECIAL NOTES

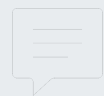
- Item number shown refers to standard door model with no customization
- Call for more size options & hardware



CONTACT OUR SALES STAFF

M-F: 8:00 am - 5:00 pm
Eastern

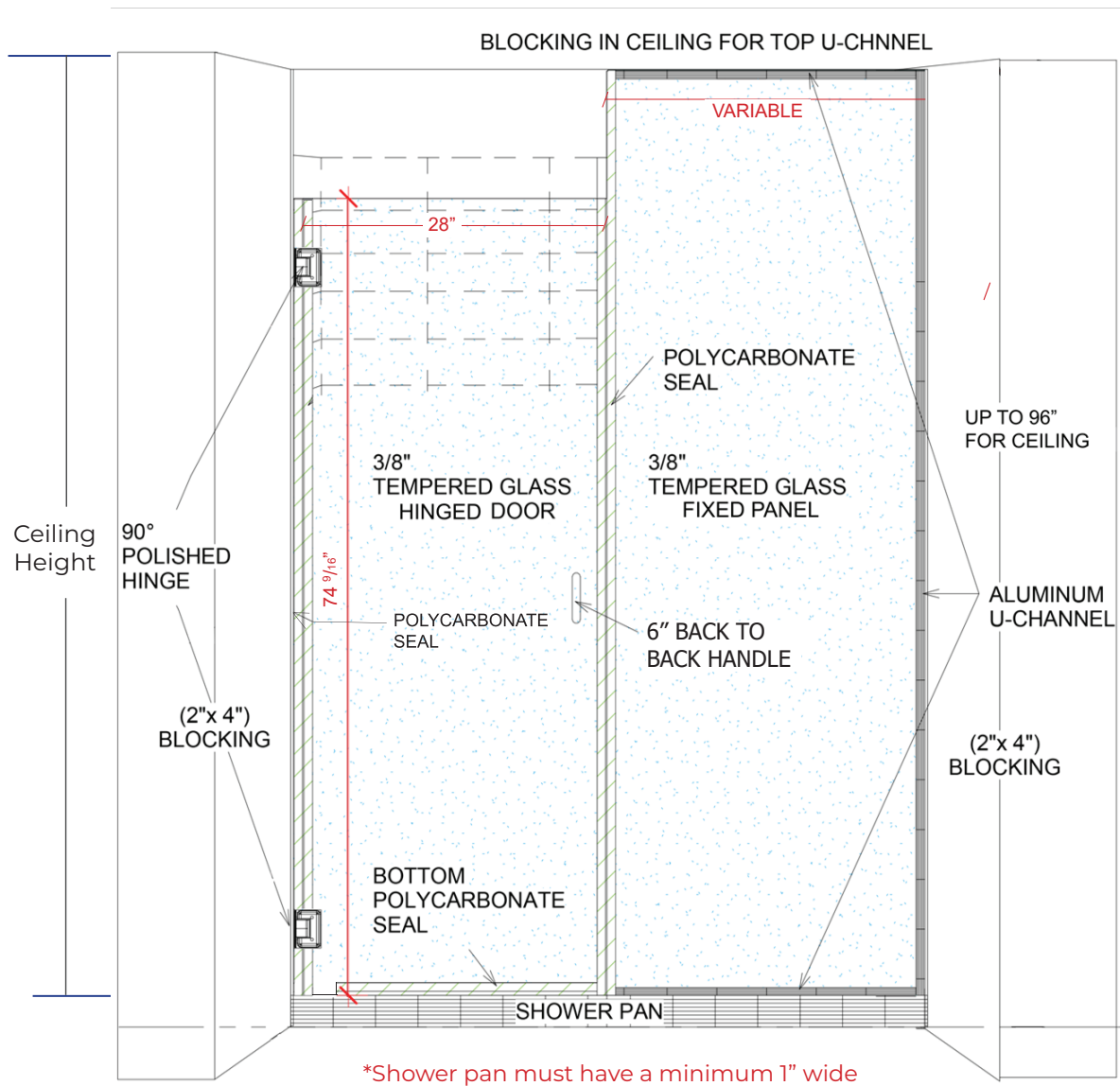
770-532-0451



WE'RE HERE TO HELP

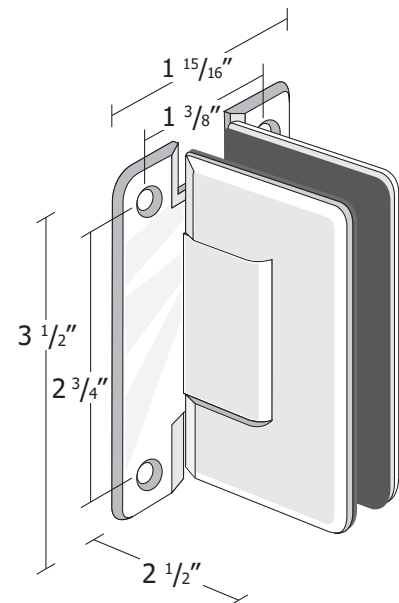
Request a product sample, color
sample or get a quote.

sales@minceymarble.com
samples@minceymarble.com



Shower pan must have a minimum 1" wide curb for door frame installation

Note: These measurements are based on a standard 60" w x 96" h Enclosure. The MM Hinged heights and widths are variable for the fixed glass panel ONLY, and can be ordered to fit specific project requirements. Please include your project specific w x h measurements when placing your order.



REV: 09.03.20