

PRODUCT SPECIFICATIONS

PL: Shower Pan Liner/Protective Cover



STANDARD FEATURES

- A protective cover for shower pan floors during construction
- Protects your pans from dirt, paint, and grout
- Custom molded to securely fit Mincey Marble shower pans
- Solid one-piece construction
- Seamless
- Durable
- Lightweight
- Installed on each pan at factory
- Reusable on same pan model only

RECOMMENDED USE

- All shower pans during construction

ITEM NUMBER

- PL-01



TECHNICAL SPECIFICATIONS

MODEL MM-SPL

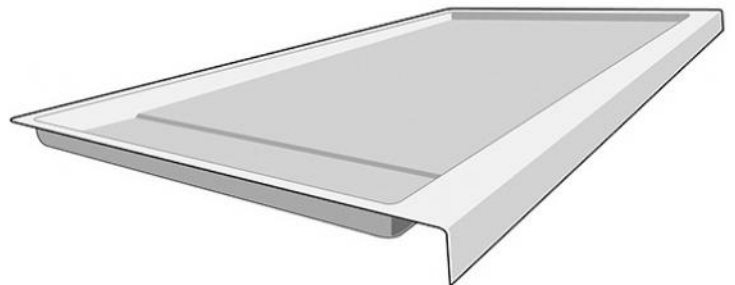
TYPE Custom

HEIGHT Variable - based on size of shower pan ordered

WIDTH Variable - based on size of shower pan ordered

SPECIAL NOTES

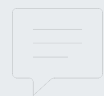
- Roll-in pans and custom pans feature an acrylic cut sheet (does not wrap around curb)



CONTACT OUR SALES STAFF

M-F: 8:00 am - 5:00 pm
Eastern

770-532-0451

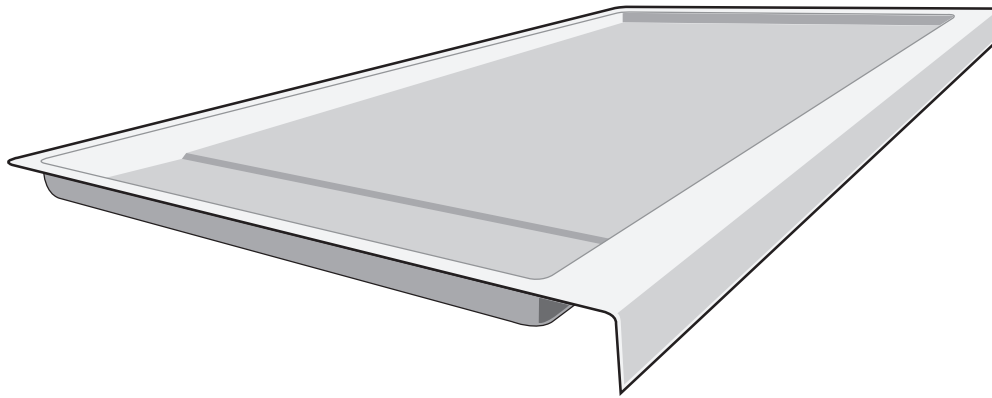


WE'RE HERE TO HELP

Request a product sample, color sample or get a quote.

sales@minceymarble.com
samples@minceymarble.com

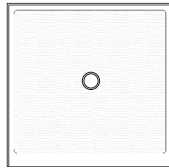
PL-01



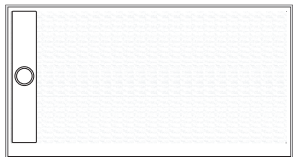
CUSTOM MOLDED TO FIT ALL MINCEY SHOWER PANS



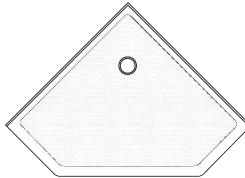
RECTANGLE



SQUARE



TRENCH DRAIN



NEO-ANGLE



CURVED FRONT



SPECIALTY



REV: 09.17.20