

PRODUCT SPECIFICATIONS
FR-09: Chrome Wall Mount Footrest



STANDARD FEATURES

- Mounting hardware included
- Blocking in wall is required

ITEM NUMBER

- FR-09

TECHNICAL SPECIFICATIONS

MODEL	FR-09
TYPE	Chrome Plated Wall Mount
HEIGHT	Mounts ~12" above curb of shower pan
SIZE	3 1/2" x 11 3/4"
BAR THICKNESS	7/8"
COVER PLATES	1 7/8"
KNURLED AREA	3" each side
FINISH	*Polished Chrome



CONTACT OUR SALES STAFF

M-F: 8:00 am - 5:00 pm
Eastern

770-532-0451

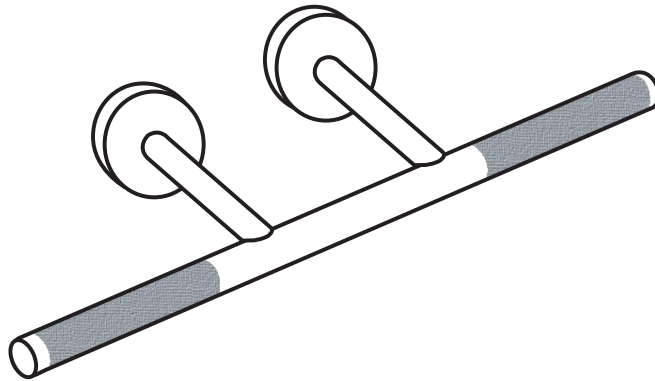
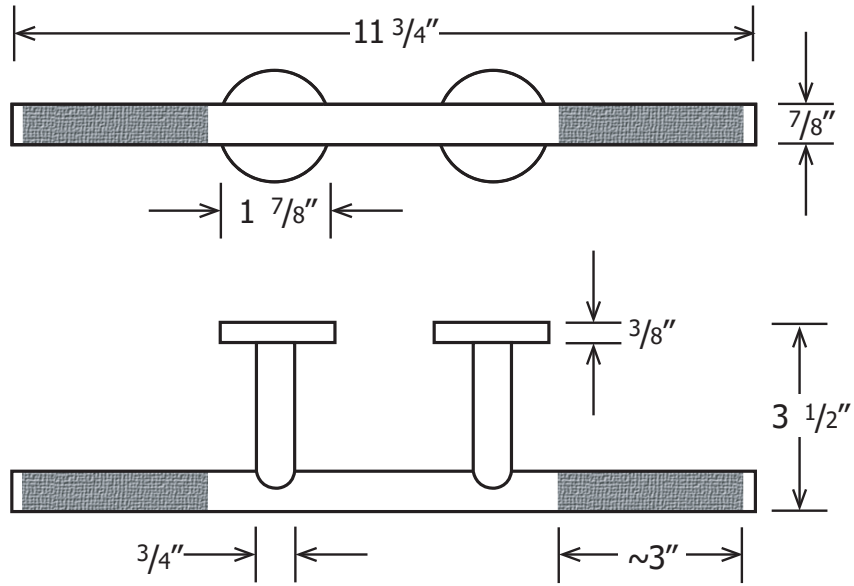


WE'RE HERE TO HELP

Request a product sample, color sample or get a quote.

sales@minceymarble.com
samples@minceymarble.com

FR-09



REV: 09.17.20