

PRODUCT SPECIFICATIONS
AN-07: 7 x 14 Shower Niche



STANDARD FEATURES

- Solid one-piece cast marble
- Smooth surface
- Seamless
- Permanently sealed surface
- Extremely sanitary
- Will not mold or mildew
- Easy to install
- Easy to maintain
- Made in the U.S.A.

APPLICATIONS

- Sold only in conjunction with our shower systems

ITEM NUMBER

- AN-07



TECHNICAL SPECIFICATIONS

| | |
|----------------------------|-----------------|
| MODEL | AN-07 |
| TYPE | Rectangle Niche |
| MATERIAL | Cast Marble |
| INSTALLATION ROUGH CUT-OUT | 6 3/8" x 13" |
| EXTERIOR HEIGHT | 7 3/8" |
| EXTERIOR WIDTH | 13 7/8" |
| INTERIOR HEIGHT | 5 1/2" |
| INTERIOR WIDTH | 12" |
| INTERIOR DEPTH | 3 1/2" |
| FINISH | Matte or Gloss |
| STANDARD | Mincey Classic™ |

COLORS

| | |
|------------|------|
| ALMOND | 7800 |
| BONE | 7670 |
| CREAM | 7400 |
| IVORY | 7300 |
| WHITE | 2250 |
| LIGHT GRAY | 7256 |
| PUTTY | 7000 |



CONTACT OUR SALES STAFF

M-F: 8:00 am - 5:00 pm
 Eastern

770-532-0451

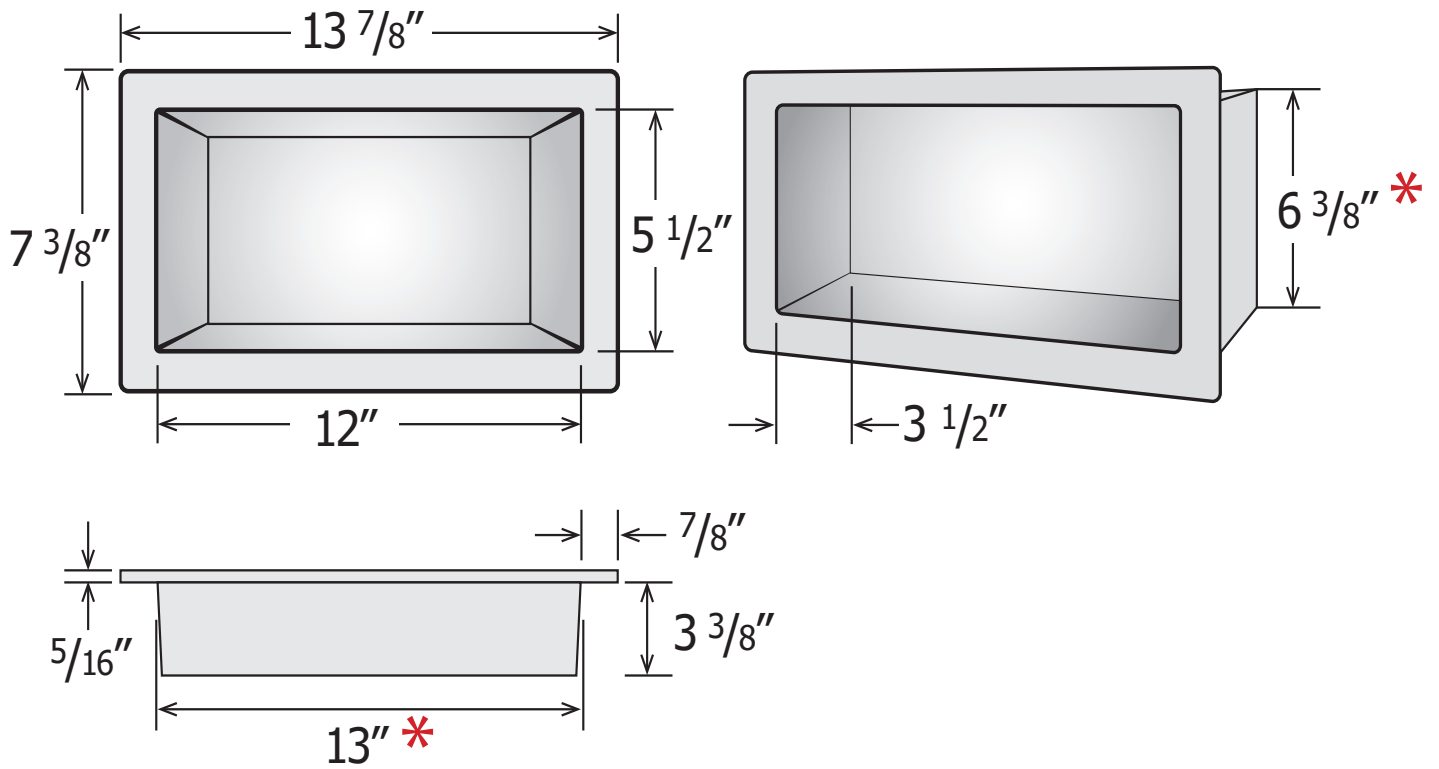


WE'RE HERE TO HELP

Request a product sample, color
 sample or get a quote.

sales@minceymarble.com
samples@minceymarble.com

AN-07



* Rough Cut Out Dimensions Shown

REV: 09.17.20