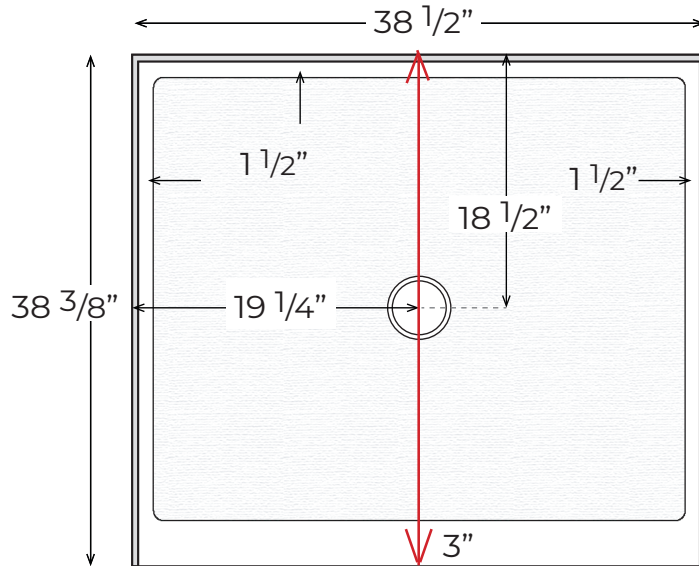
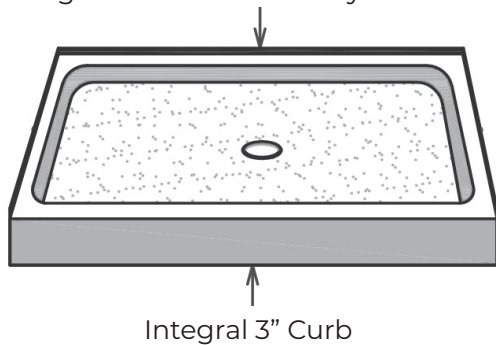


SP-38.538.5-C/SF

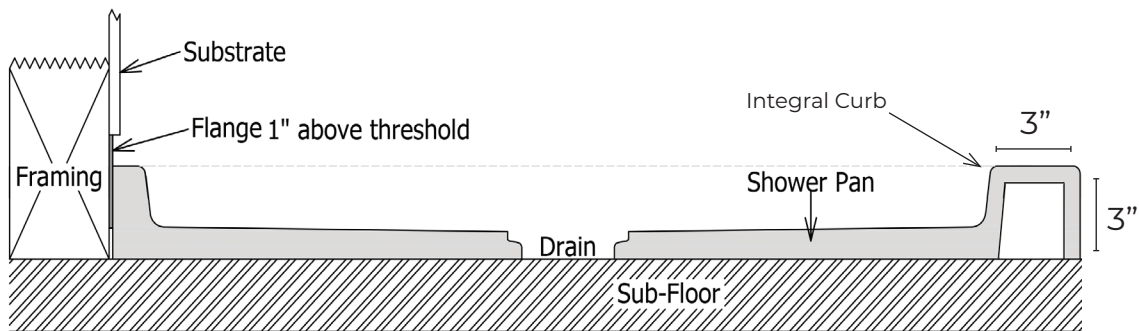
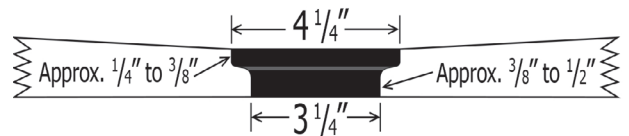


Finished product dimensions may vary by +/- 1/8" from drawings.

1" Flange Attached at Factory Back & Sides



Drain Detail:



REV: 11.04.21