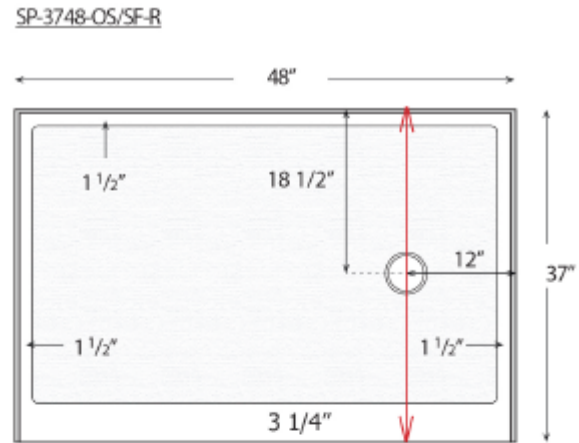
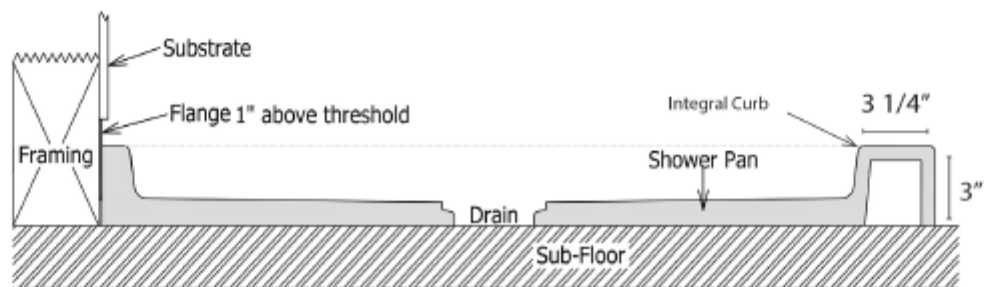
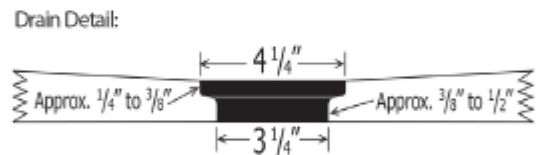
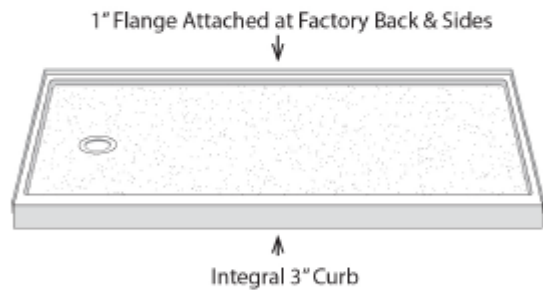


Finished product dimensions may vary by +/- 1/8" from drawings.



Finished product dimensions may vary by +/- 1/8" from drawings.



Revision: 10/2023