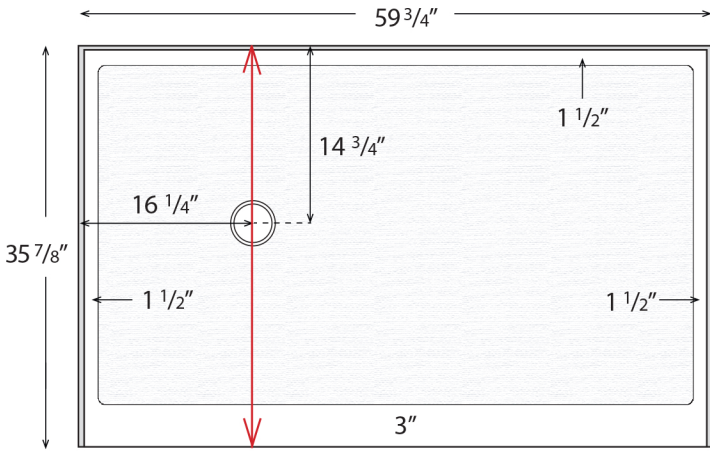
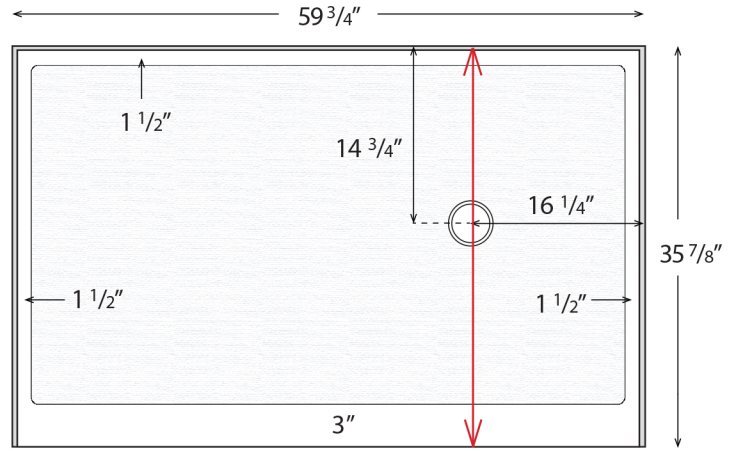


SP-3660-16"OS/SF-L



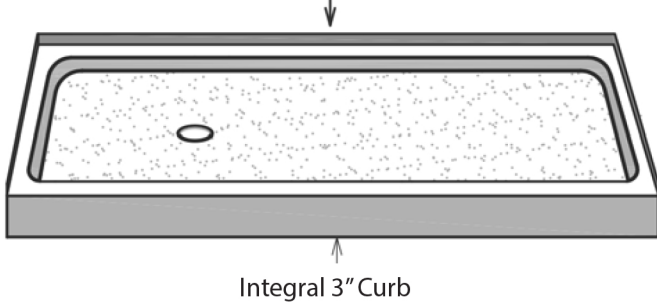
Finished product dimensions may vary by +/- 1/8" from drawings.

SP-3660-16"OS/SF-R

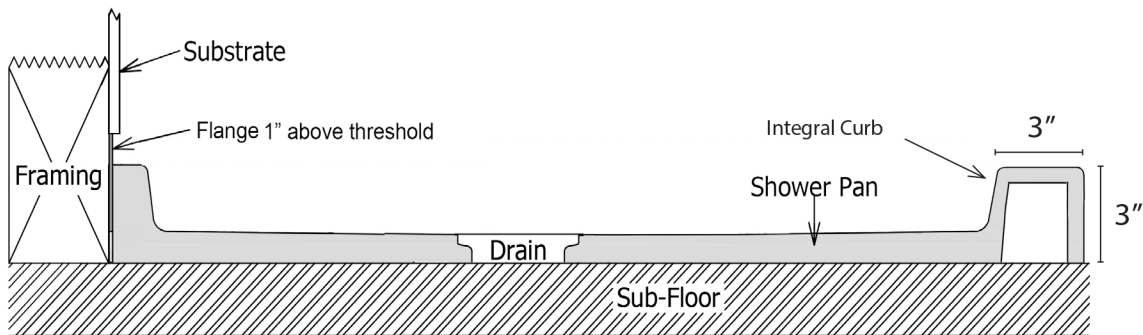
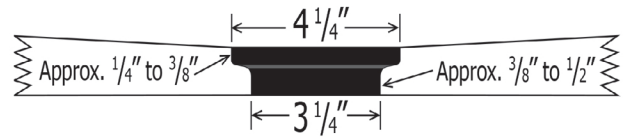


Finished product dimensions may vary by +/- 1/8" from drawings.

1" Flange Attached at Factory Back & Sides



Drain Detail:



REV: 04.26.23