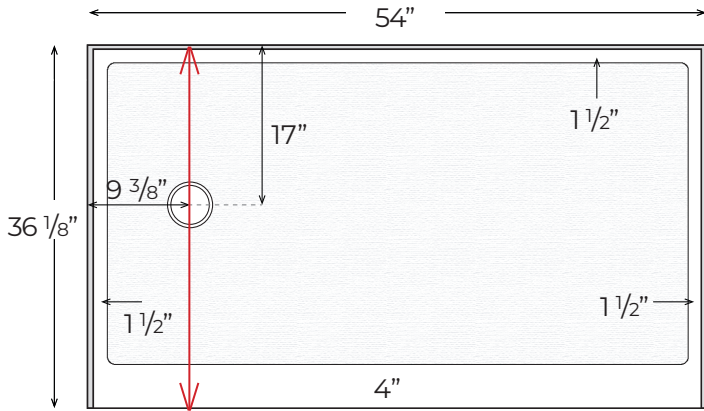


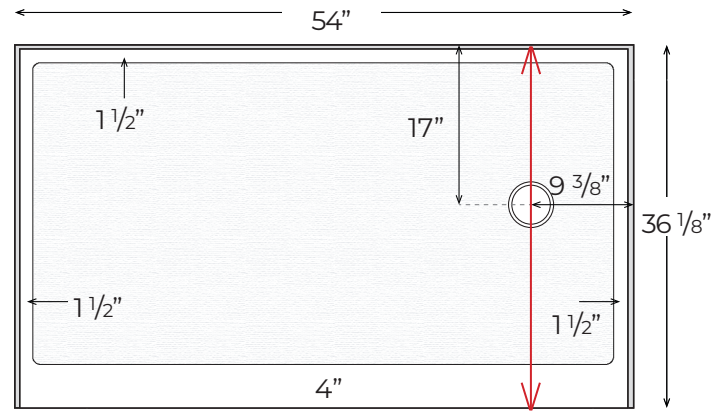
Pan is under development. Confirm final dimensions before ordering.

SP-3654-9"OS/SF-L



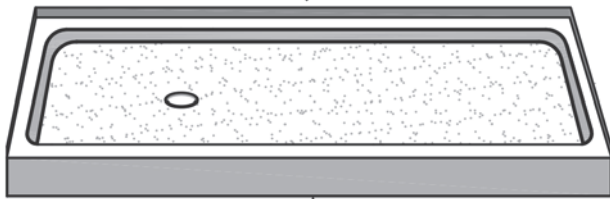
Finished product dimensions may vary by +/- 1/8" from drawings.

SP-3654-9"OS/R



Finished product dimensions may vary by +/- 1/8" from drawings.

1" Flange Attached at Factory Back & Sides



Integral 4" Curb

Drain Detail:

