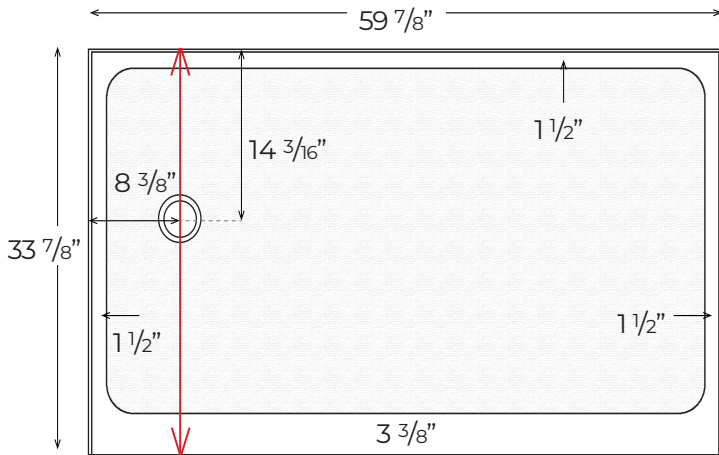
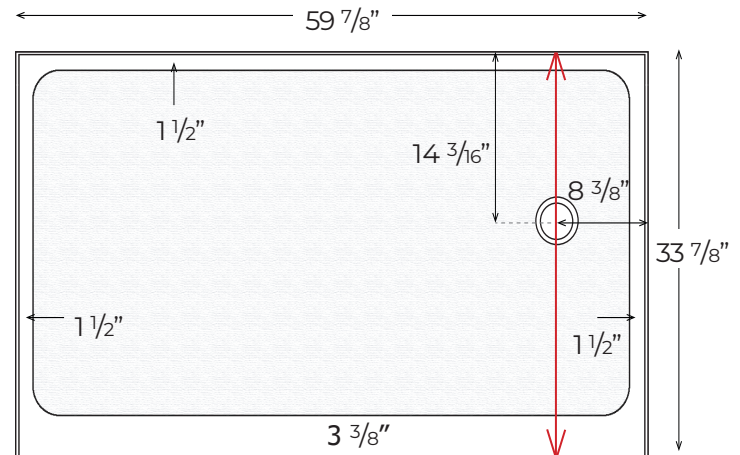


SP-3460-OS/SF-L-RENO



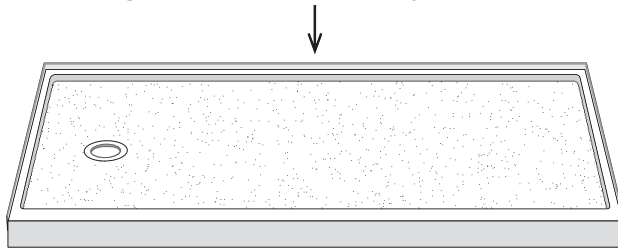
Finished product dimensions may vary by +/- 1/8" from drawings.

SP-3460-OS/SF-R-RENO



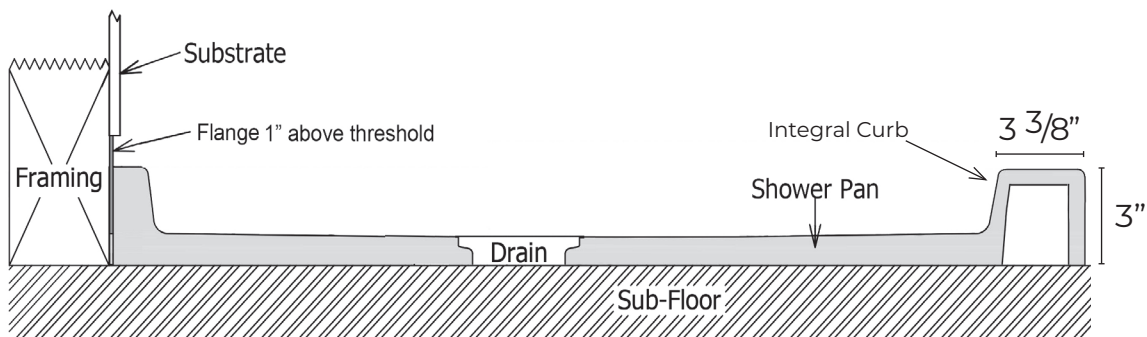
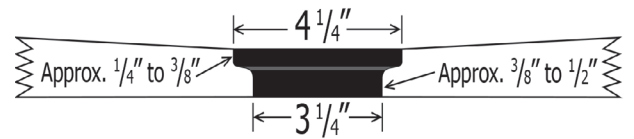
Finished product dimensions may vary by +/- 1/8" from drawings.

1" Flange Attached at Factory Back & Sides



Integral 3" Curb

Drain Detail:



REV: 11.04.21