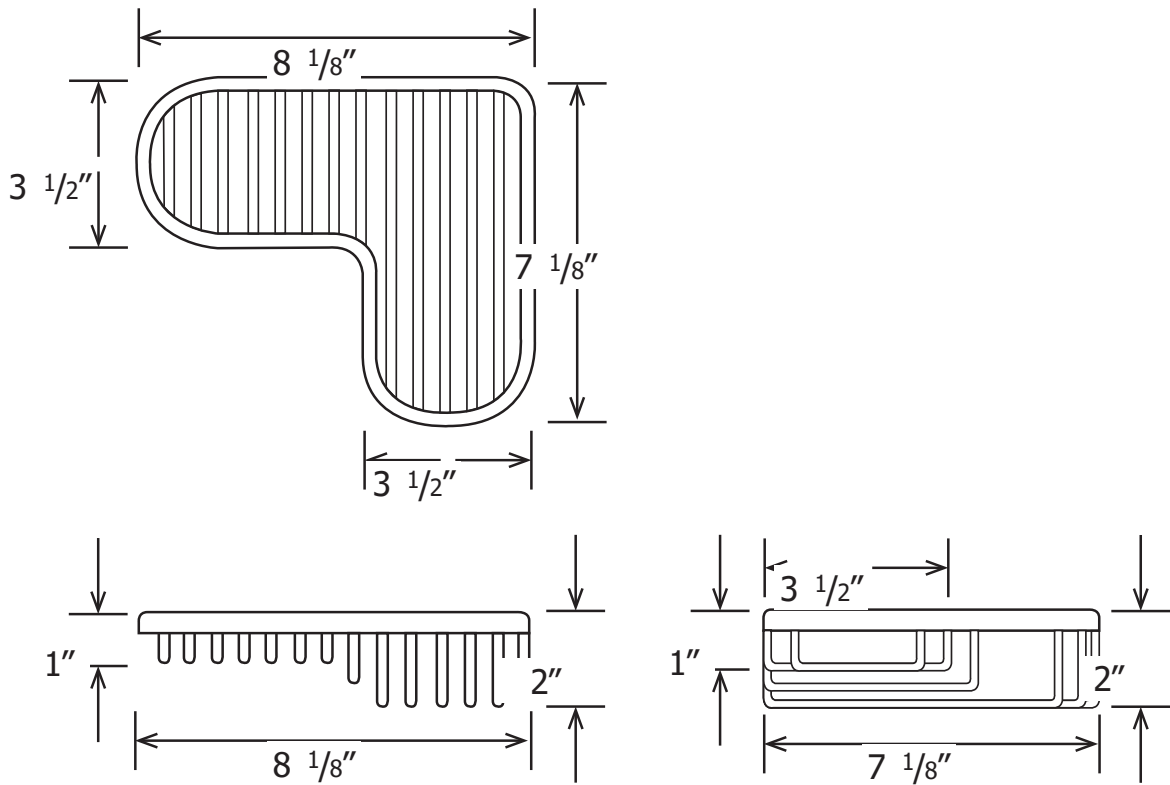
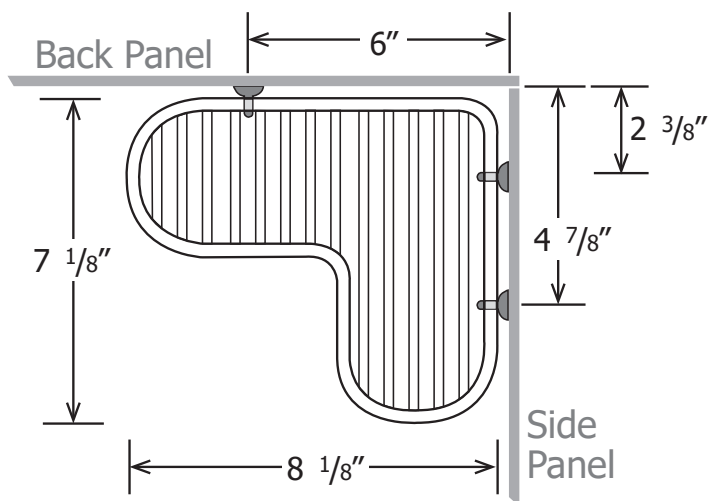


SD-08



Mounting Locations:*



Note: Drill locations in dish may vary so check each dish before drilling. Add a dab of 100% silicone into screw holes under chrome screw cap. Mounting hardware is included.

REV: 09.17.20