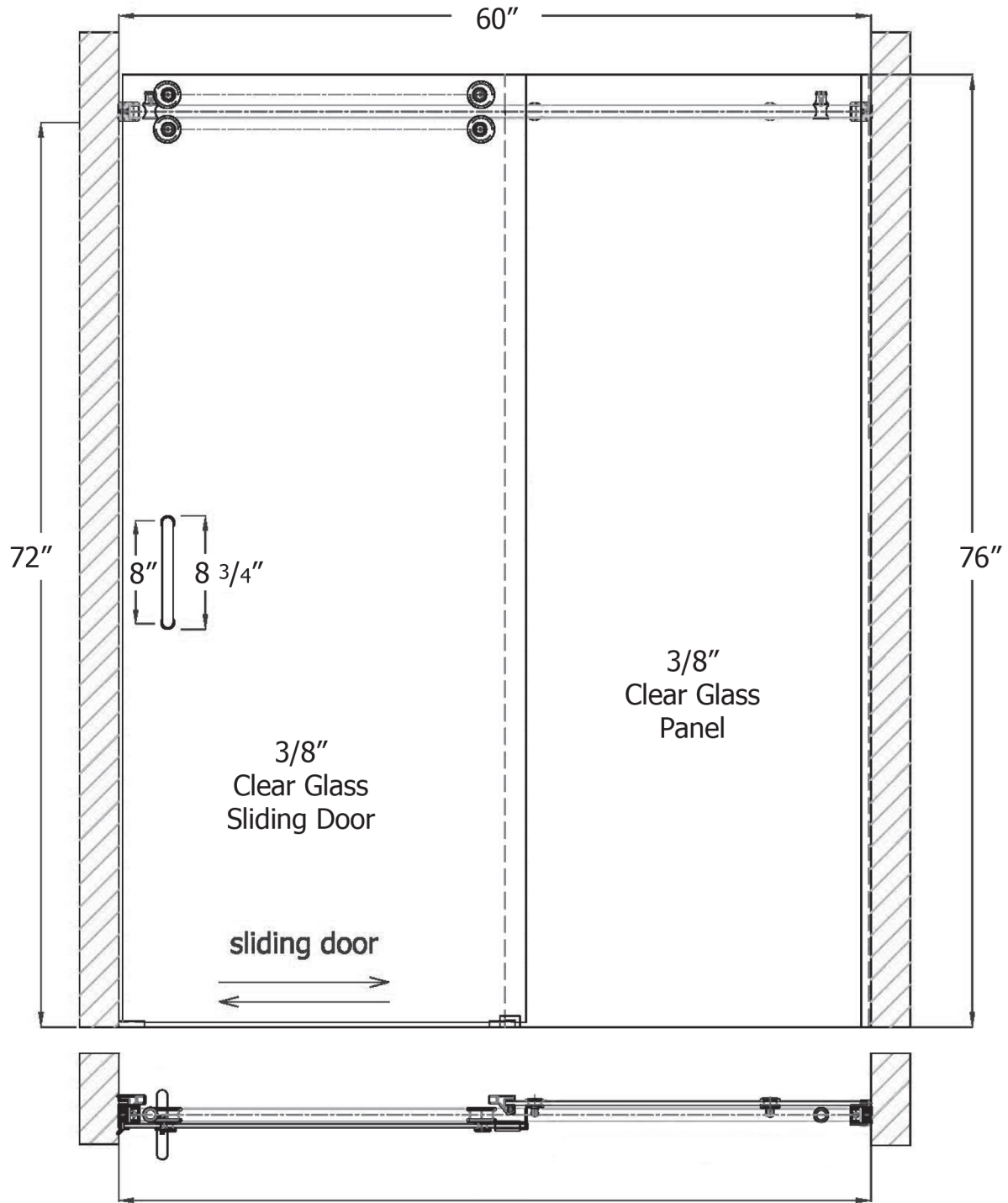


Note: If the Shower Door closes towards the Shower Head, use the Napoli Series. If the Shower Door closes away from the Shower Head, use the Reversed Napoli Series.



REV: 09.03.20