

Installation Instructions for Mincey Marble Manufacturing's Standard 3-Piece Panels [Extending to the Ceiling]

PRE-INSTALLATION CHECKLIST AND NOTES
MATERIALS / TOOLS NEEDED CHECKLIST
STANDARD PANEL INSTALLATION

ATTENTION: Prior to starting the installation, please read through these instructions. This will help avoid any unnecessary breakage. Any breakage due to handling or installing the panels are the responsibility of the installer and is not covered under the Mincey Warranty.

These installation instructions apply to all standard Mincey 3-piece panel systems where the panels extend to the ceiling and each wall is manufactured in one piece. If your project is using panels that will not extend to the ceiling, please refer to the instructions labeled "Standard 3-Piece Panel_ Not Extending to the Ceiling_ Installation Instructions - ". Drawings Are Not To Scale.

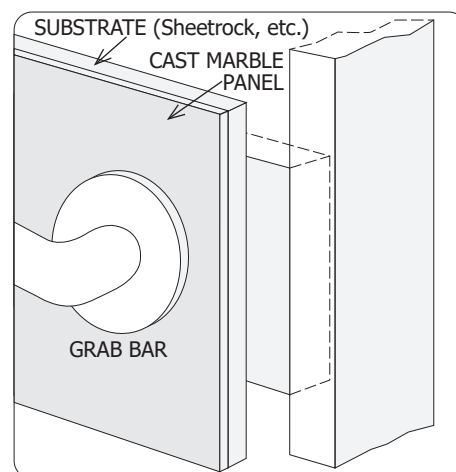
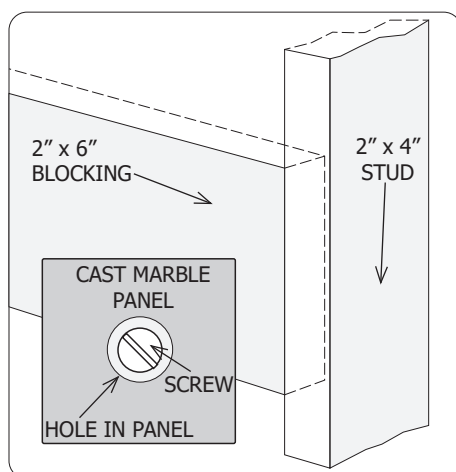
If your project requires the back or sidewalls to be manufactured in more than one piece per wall, please use the instructions labeled "Large Wall Seam Instructions". These instances will occur only when your back wall is larger than 62" wide, or when any of the walls are more than 96" tall.

NOTE: Mincey Marble's Shower Surround Panels are waterproof.

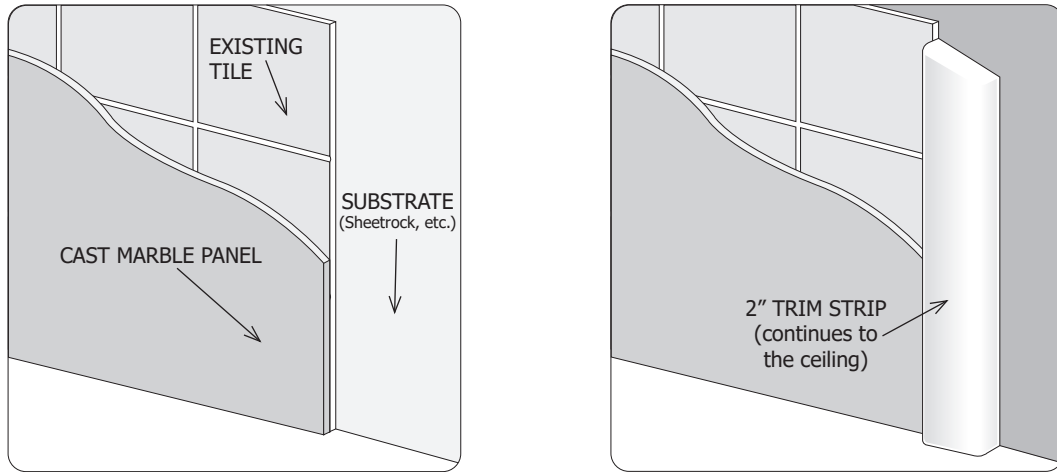
PRE-INSTALLATION CHECKLIST AND NOTES

Cast Marble panels are more fragile in extremely cold temperatures, and should be handled with care in these conditions. When possible, store all material in a heated area at least 24 hours prior to installation.

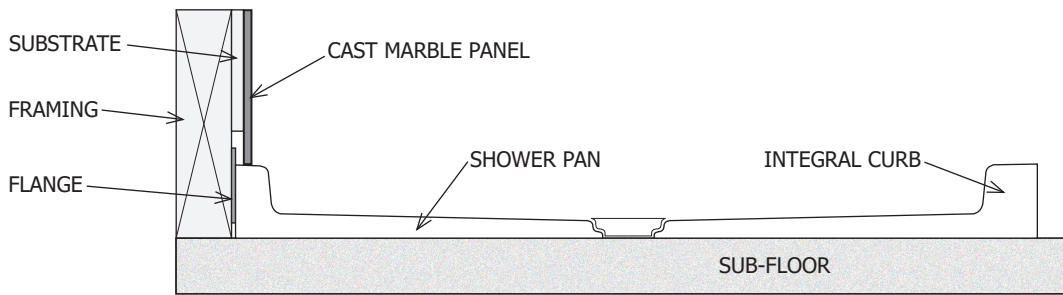
If you are installing grab bars, blocking should always be placed in the proper location prior to the wall substrate being installed. We recommend using a 2" x 6" on end. Our panels are not designed to support the tension placed on the bar. Once the Mincey panels are installed, all screw holes must be pre-drilled through the panels large enough so that no screw threading comes in contact with the panel. This will prevent damage to the panel. Tighten all screws carefully, the panels can be cracked or broken if over-tightened.



When installing a Mincey Panel System over existing tile, make sure the tile is well adhered to the substrate and is clean of mold and mildew. Then, follow all standard instructions for cutting and installing the panels - EXCEPT - use only 100% Silicone for the adhesive. The silicone will provide better adhesion to the tile than the construction or cast marble adhesive.

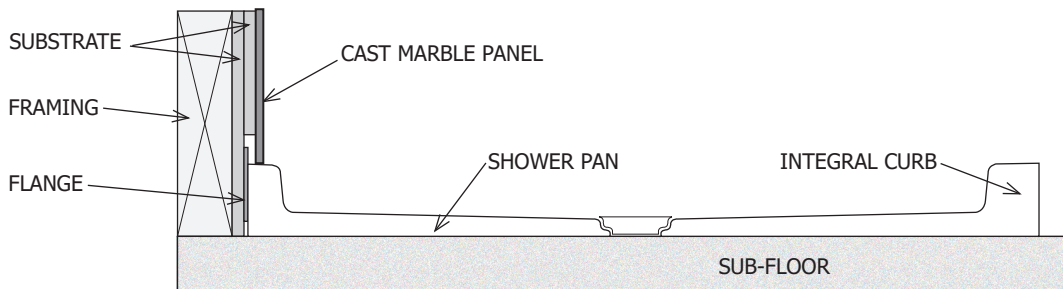


The Tub or Shower Pan must be set in place before the Substrate can be installed. (Please see Shower Pan Installation Instructions for installing the Pan.) The Shower Pans and Tubs have a Leak-proof Flange attached to them. The Wall Substrate must be thick enough so that when the Panels are installed, they are flush with the wall while covering the Flange without bowing out at the bottom. (See diagram below.)



Standard Substrate Installation

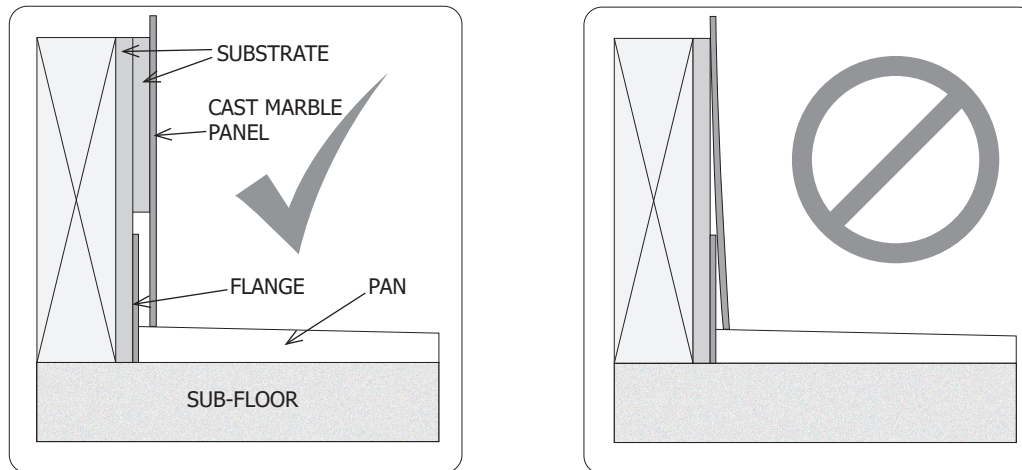
Fire-rated Substrate installation will require two layers of Substrate be installed. The first layer should be installed before the pan and all the way to the Sub-floor. The second layer should be installed stopping just above the Fiberglass Flange. The second layer of Substrate will allow the Shower Panels to be installed from the surface of the Pan or Tub upward without the Shower Panels bowing out. (See diagram below.)



Fire-Rated Substrate Installation

If you have any questions, please call MINCEY MARBLE CUSTOMER SERVICE at 770-532-0451

When following Fire-rated requirements, the Substrate must be installed all the way to the Sub-floor. When the Shower Panels are installed, they must extend over the Attached Flange all the way to the Shower Pan floor. If only one piece of Substrate is used, the Shower Panel will bow out at the bottom to cover the Flange. (See diagrams below)



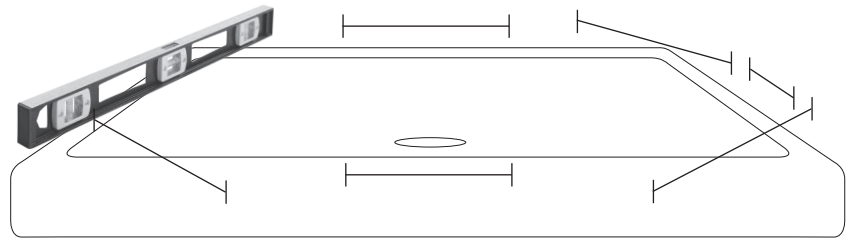
ATTENTION: Please follow these Mincey Panel Installation Instructions carefully. If you are installing a panel that has a tile pattern for instance, the process is explained in detail in these instructions. If these instructions are not followed exactly, the grout joints will not align from panel to panel. Misalignment is the number one factor creating customer dissatisfaction and requiring the purchase of additional material. As a general rule, in order to install the panels correctly, you will need to trim the panels on all sides following these instructions very closely.

MATERIALS / TOOLS NEEDED CHECKLIST

- Circular Saw with a Masonry Blade
- Drill / Various Drill Bits
- Mask - for when cutting panels
- Measuring Tape
- Pencil - for marking measurements on front of panels for cutting and installing, the pencil marks can be removed by Acetone once installed
- Hole Saw - for drilling plumbing fixtures (Diamond Hole Saw is recommended, 1 1/4" and 4" are the most common, however, sizes will vary according to the specific job requirements)
- Saw Horses
- 2" x 4"s to place over saw horses to support panels when cutting
- 4' Level
- 80 Grit Sandpaper - for sanding a light bevel edge on cut edges to eliminate chipping the finish upon install
- Acetone for cleanup of markings and general panel cleanup
- Dry, Clean Rags
- Commercial Quality Hot Glue Gun
- Commercial Quality 15" Glue Sticks
- Construction Adhesive or Cast Marble Adhesive for applying panels to the Substrate (Sheetrock, etc.)
- 100% Silicone - for all panel to panel, panel to tub and panel to pan seams, also applying panel to existing tile
- Latex Caulking - for all ends where the panel is caulking to the sheetrock or the ceiling

If you have any questions, please call MINCEY MARBLE CUSTOMER SERVICE at 770-532-0451

First, make sure the Shower Pan or Tub is level from front to back, side to side and diagonally. The maximum tolerance is +/- 1/4". If the Pan or Tub is over 1/4" out or level in any direction, you should notify the customer before moving forward with the installation.

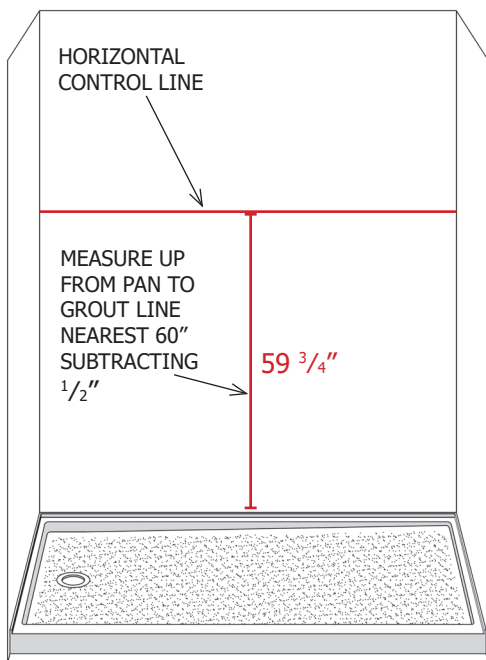
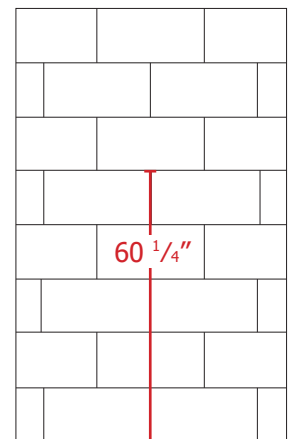


To begin with, you will want to establish a **CONTROL LINE**. This **CL** will be used throughout the installation process to make sure your panels will fit as designed. In these instructions we will be using a Tile Pattern Panel System (Product # TS-CS/12x24) as an example panel system.

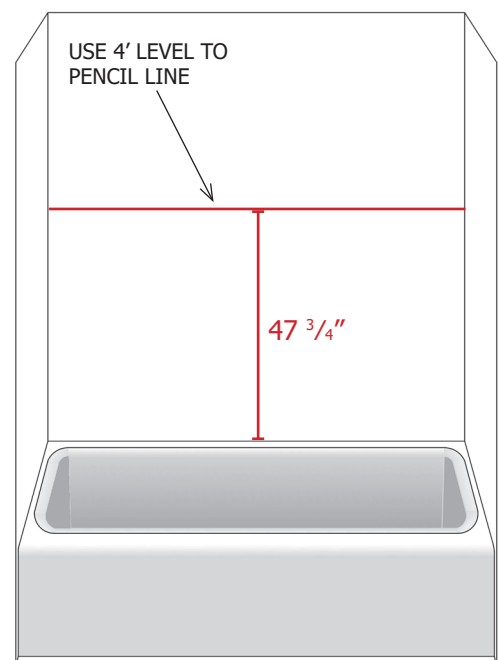
Measure the back panel area from the bottom up to the **center of the grout line closest to 60"**. If installing a tub, measure the back panel area up to the **center of the grout line closest to 48"**.

When you have determined this measurement, **subtract 1/2"** from the measurement, **this 1/2" will be used for adjustment of the panel.**

FOR EXAMPLE: Our TS-CS/12x24 Panel System grout line closest to 60" for a shower measures 60 1/4". Deduct 1/2" and you have 59 3/4". This is where you take your Level and pencil a line across the back wall at 59 3/4". This is your **HORIZONTAL CONTROL LINE**. If installing a panel system for a Tub, replicate the process using the grout line closest to 48".



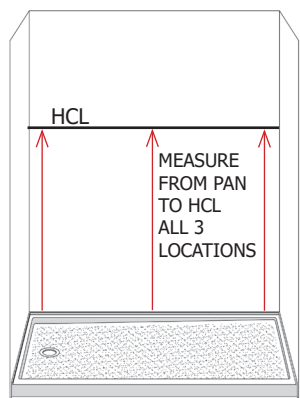
Panel Installation with Shower Pan



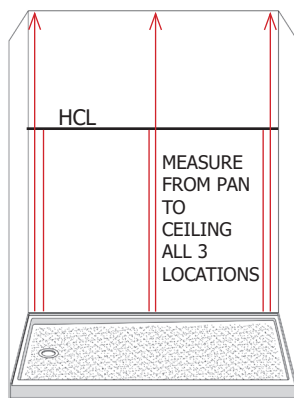
Panel Installation with Tub

If you have any questions, please call MINCEY MARBLE CUSTOMER SERVICE at 770-532-0451

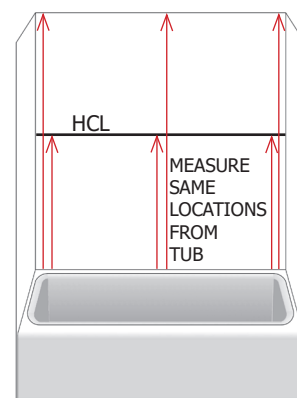
Now that you have your HORIZONTAL CONTROL LINE established, you will be taking measurements to determine the dimensions in which to cut the **BACK PANEL**. Start by measuring from the Pan/Tub to the HCL in Left, Center and Right locations. Then, measure from the Pan/Tub all the way to the ceiling in the same three locations.



Back Panel with Shower Pan

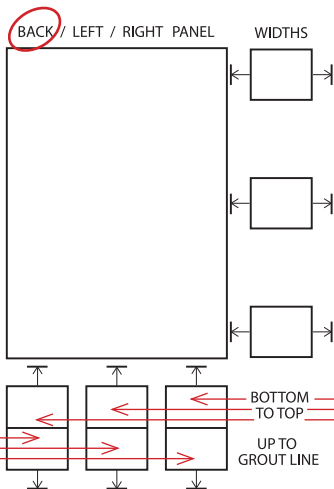


Back Panel with Shower Pan



Back Panel with Tub

The first three vertical measurements from the Pan up to the HCL/Grout Line will be recorded here



The second three from the Pan to the Ceiling go here

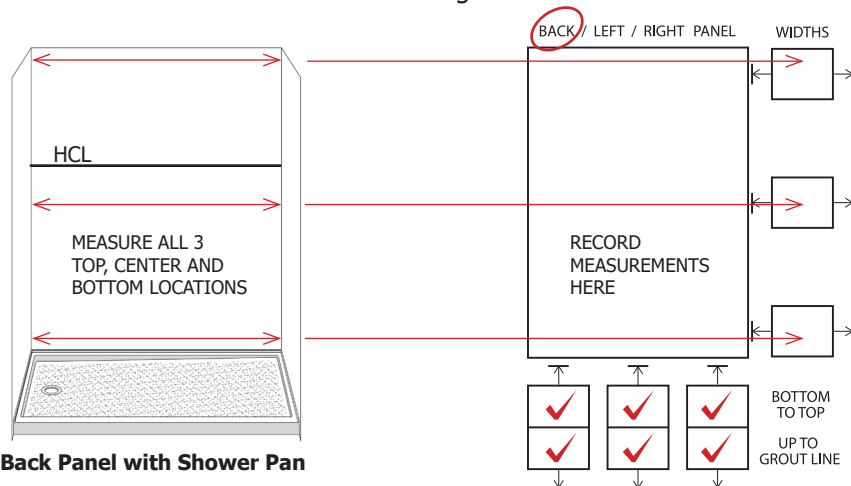
Follow the same instructions for a Tub installation, using the Panel Trimming Guide

As you take your measurements, use the **Panel Trimming Guide** located on the last page of these instructions. This will help you transfer your measurements to the panels when you trim them. Simply, follow the instructions and fill out the fields in the guide for accurate and proper order for trimming and installation.

Panel Trimming Guide

Located on the last page of these instructions

Next, measure and record the Back Panel Location Width at the Top, Center and Bottom. You are now ready to transfer these measurements to the Back Panel for trimming.



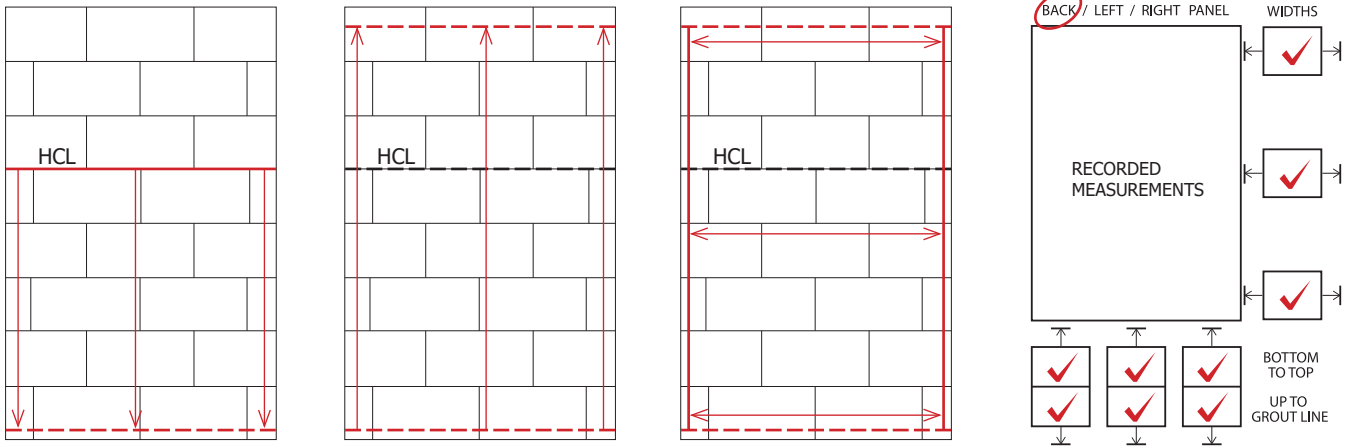
Back Panel with Shower Pan

If you have any questions, please call MINCEY MARBLE CUSTOMER SERVICE at 770-532-0451

INSTALLING STANDARD 3-PIECE PANELS - EXTENDING TO THE CEILING (cont.)

To trim the Back Panel, measure from the GROUT LINE which established your HCL toward the bottom of the panel. Mark the panel in the Left, Center and Right vertical positions and connect with a pencil line. Measure up from this pencil line to mark the BOTTOM TO TOP measurement in all three locations and connect them with a pencil line.

Then, measure from the center of the Back Panel to establish the Top, Center and Bottom horizontal measurements, connecting them with a pencil line. You want to trim equal amounts off of both sides to center the panel. Allow 1/8" tolerance on the sides of the Back Panel for installation (once installed the side panels will cover the two side gaps).



You are now ready to trim the Back Panel. Place the Panel on top of the 2" x 4"s on the Saw Horses. Trim with the Circular Saw using the Masonry Blade. If you are trimming more than 1/2" of material, make sure to support the material being trimmed off to avoid the material breaking off before completing the cut. If the piece being trimmed breaks off, it could damage the panel and render the panel useless.

After you have trimmed the panel, thoroughly sand all cut edges with 80 grit sandpaper, especially the bottom. Whenever possible, dry fit the panel to make sure it is a proper fit before applying adhesive to the wall. Once the fit is confirmed, wipe down the wall with Acetone to clean and prepare the wall. Then, wipe off the pencil marks on the front of the Panel with Acetone. Next, wipe off the back, unfinished side of the Panel with Acetone to clean it of dust and debris.

There are two basic methods of applying adhesive and adhering the Panels to the Wall.

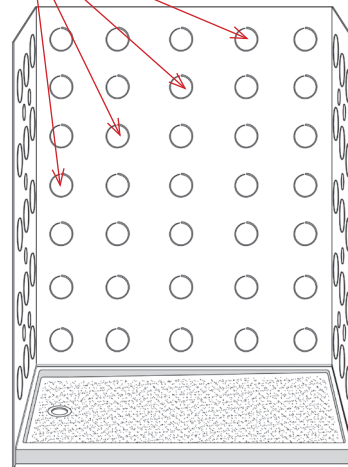
METHOD 1: We recommend using Cast Marble Adhesive, which is formulated specifically for the installation of cast marble. Bracing is also recommended to make sure the panels stay in place until the adhesive has set.

To order cast marble adhesive, color matched silicone, or other installation tools, contact Mincey Install at:

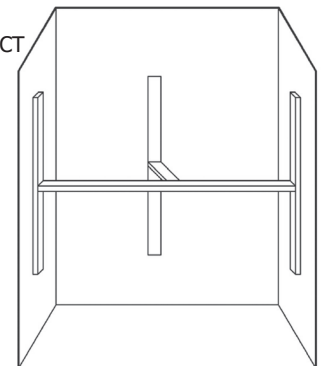
www.minceyinstall.com

Mincey Install is a certified installation company that is independent of Mincey Marble Mfg. Inc.

APPLY CAST MARBLE ADHESIVE - THEN -



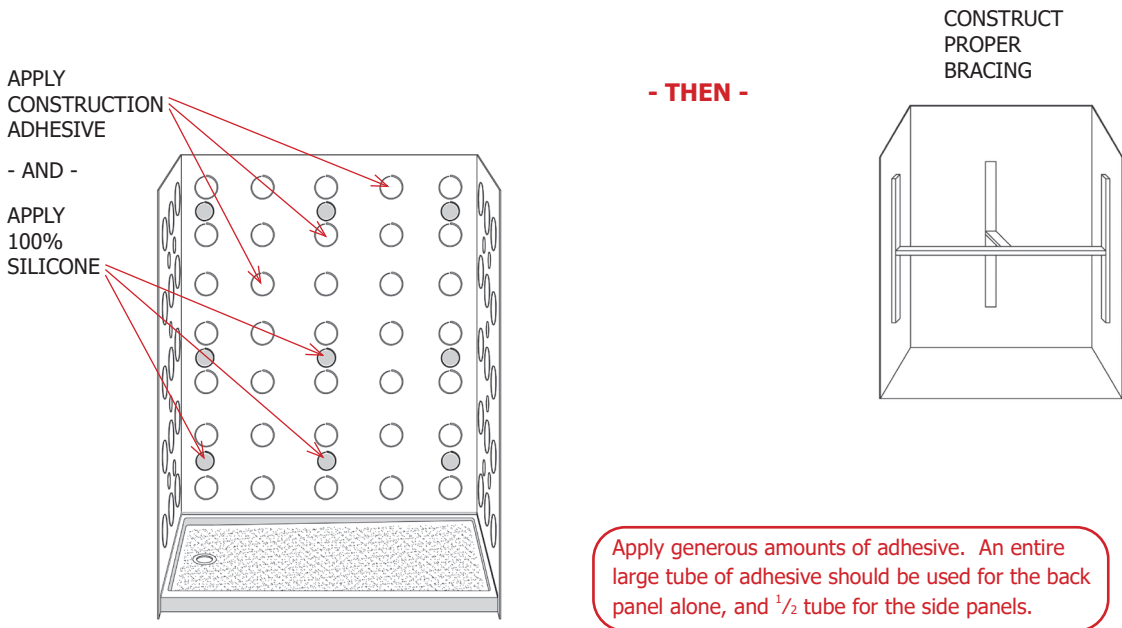
CONSTRUCT PROPER BRACING



Apply generous amounts of adhesive. An entire large tube of adhesive should be used for the back panel alone, and 1/2 tube for the side panels.

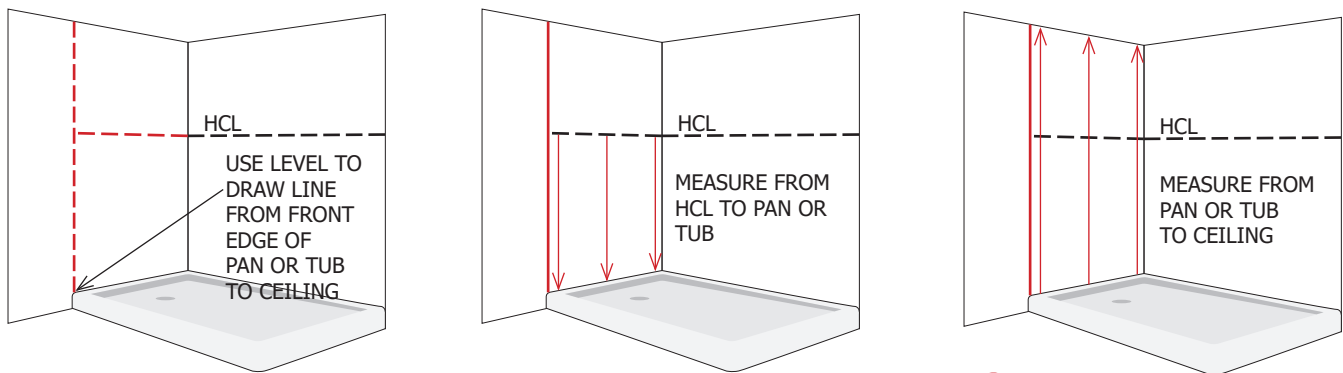
If you have any questions, please call MINCEY MARBLE CUSTOMER SERVICE at 770-532-0451

METHOD 2: If you choose not to use cast marble adhesive, we recommend a combination of construction adhesive and silicone. Bracing is also recommended to make sure the panels stay in place until the adhesive has set.



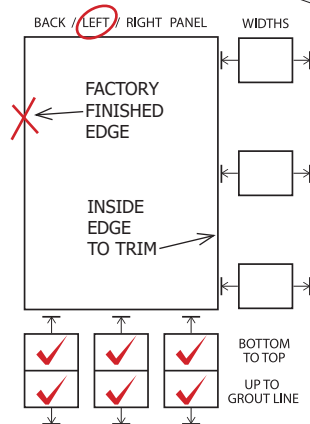
* If you are installing Trim at the front edge of the Shower Pan or Tub, please refer to the footnote instructions at the end of this document for details on how to properly install. We recommend you install the Trim before the Side Panels. *

You are now ready to trim and install the Side Panels. Using the same Panel Trimming Guide, you will take measurements relative to the GROUT LINE or HORIZONTAL CONTROL LINE. First, you will need to transfer the HCL to the side walls and establish a Plumb Line at the front edge of the Pan or Tub.

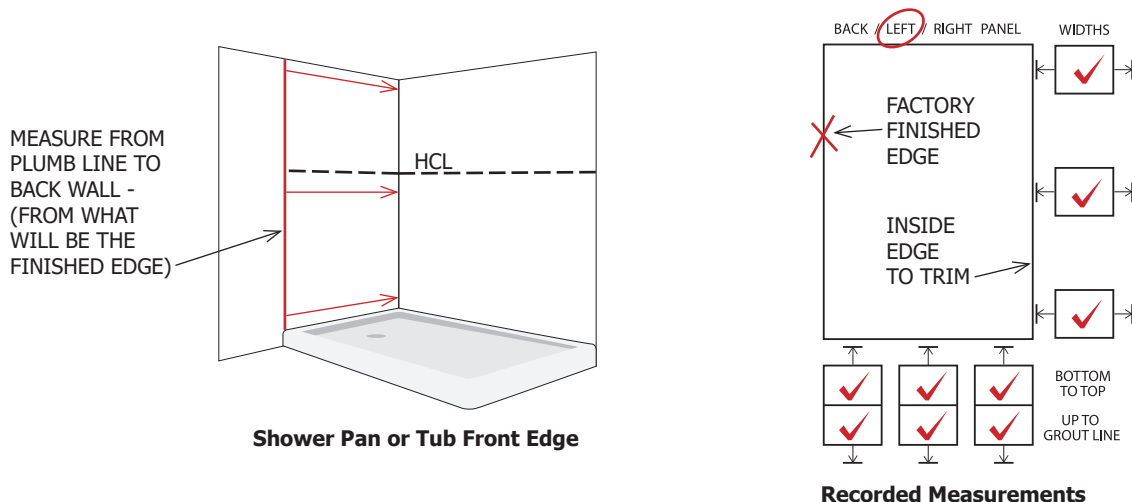


Take all of the same measurements like before and record them on the Panel Trimming Guide. Make note that you are recording the **LEFT** side panel and place an **X** on the Outside edge.

The OUTSIDE edge will be the FINISHED EDGE from the factory. You will trim the INSIDE edge that butts up to the Back Panel.

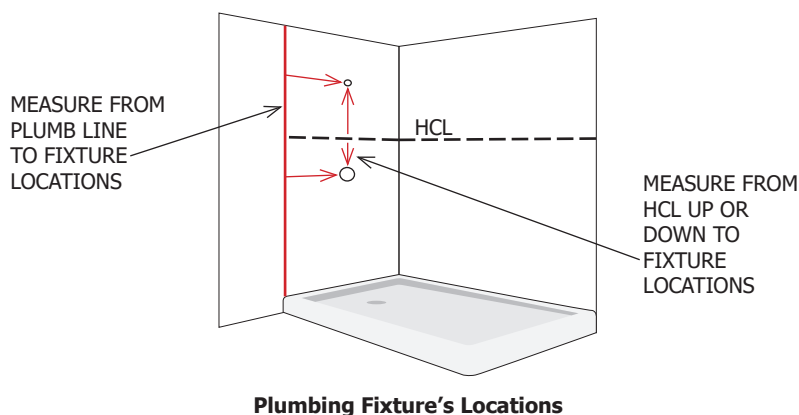


To determine what WIDTH to trim the Side Panel, measure from the PLUMB LINE that was established from the edge of the Pan or Tub back to the wall corner in all three Top, Center and Bottom locations. The OUTSIDE EDGE will be the FINISHED EDGE from the factory. The INSIDE EDGE will be the one to be trimmed, and will butt up to the Installed Back Panel.



Trim the Side Panel by transferring the measurements from the Panel Trimming Guide to the Panel like before, using the Circular Saw with the Masonry Blade. **After you have trimmed the panel, thoroughly sand all cut edges with 80 grit sandpaper, especially the bottom.** Install the Side Panel using the same Adhesive Technique as the Back Panel.

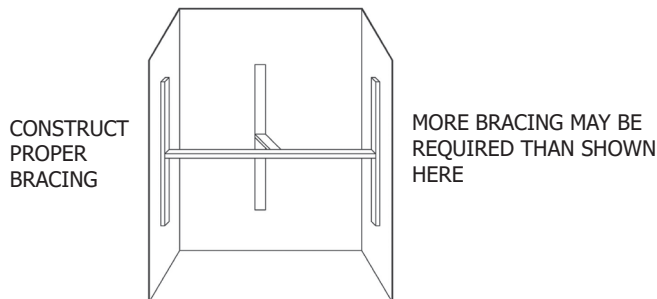
You will need to locate and cut the holes for the SHOWER PLUMBING FIXTURES on the appropriate Side Panel. Measure from the HCL either upward or downward depending on the locations of the Control Valve and the Shower Head Pipe. Measure over from the PLUMB LINE / FINISHED EDGE to the locations. These will determine where to drill your holes in the Panel. Normally, there will be two holes to be located and drilled for a Shower and three for a Tub.



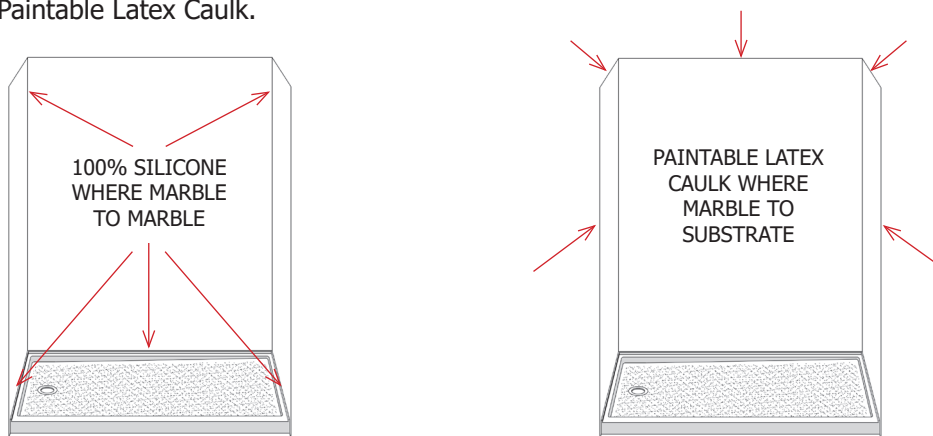
Carefully drill out the holes for the plumbing fixtures in the panel. Be aware that if you use too much pressure when drilling, you can damage the panel, especially as the drill completes the hole.

If you have any questions, please call MINCEY MARBLE CUSTOMER SERVICE at 770-532-0451

Properly bracing the panels is important for allowing the adhesive to set up. Be sure to use caution when constructing the bracing. Below is a general graphic illustrating how bracing can be constructed, but there are other variables that may come into play depending upon the conditions at the site. You may need to build more braces, but you want to make sure that the panels are held firmly but without enough pressure to crack or damage the panels.

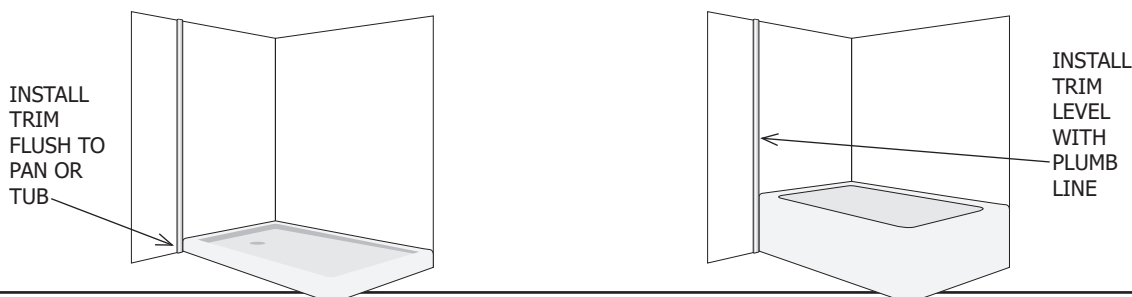


After the adhesive has had time to dry, usually 24 hours, carefully remove the bracing. You are now ready to caulk all of the joints. Use 100% Silicone where Marble meets Marble. Where Marble meets Substrate (Sheet-rock, etc.) use Paintable Latex Caulk.



You are now ready to install any Accessories. To install Soap Dishes, Shampoo Shelves and Foot Rests, whether Cast Marble, Ceramic or Chrome Plated Metal, please refer to the appropriate Accessory Installation Instructions for that product.

***** When you are installing Trim pieces for the sides of the Shower or Tub, it is recommended that you measure and cut them at the same time you are measuring and trimming the Back Panel. After cutting the trim, test fit them to make sure they fit. Install the trim right up against the Pan or Tub following the Vertical Plumb line. Use 100% Silicone or Cast Marble Adhesive combined with Commercial Grade Hot Glue and press and hold into place. After a couple of minutes, the Hot Glue will set up and hold the Trim in place. Then, you can proceed with installing the Side Panels as per these instructions.



THANK YOU FOR PURCHASING AND USING OUR MINCEY MARBLE PRODUCTS! WE VALUE YOUR BUSINESS!

If you have any questions, please call MINCEY MARBLE CUSTOMER SERVICE at 770-532-0451

