

Installation Instructions for Mincey Marble Manufacturing's Metal Trim Strips

TR - 07	5/16" x 96" x 7/8"
TR - 08	1/8" x 1/2" x 1/2" x 1 1/4"
TR - 09	1/4" x 96" x 7/8" (Curved Front)
TR - 10	1/4" x 96" x 7/8"

ATTENTION: These instructions apply to Mincey Marble Metal Trim Strips. These trim strips can be used with any Mincey Marble panel system and are not installed the same as Cast Marble Trim Strips. Mincey's Metal Trim Strips are supplied at 96" in length. They will need to be trimmed to fit. If the panels do not extend to the ceiling, the trim strips will need to be trimmed to install flush with the end of the panel and to not extend from the panel.

TOOLS NEEDED

- Measuring Tape
- Pencil
- Hacksaw
- 100% Silicone
- Clean, Dry Cloths to clean the trim and wipe away any excess Silicone

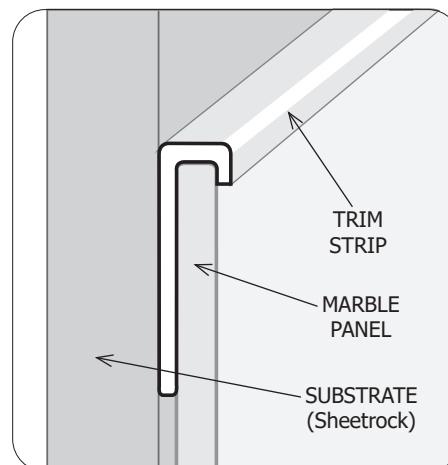
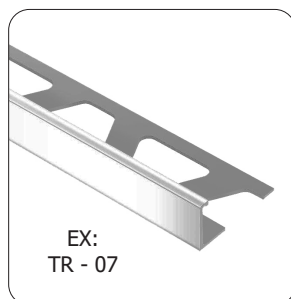
HOW TO INSTALL METAL TRIM STRIPS

All of these Metal Trim Strips listed above install with the same technique using the same tools. You will need to trim the Trim Strips to fit where they are to be installed.

First, Measure the Height or the Width of where the Trim Strip is to be installed.

Cut the Trim Strip to fit.

Apply a couple of dabs of 100% Silicone to the Trim Strip and press into place.



THANK YOU FOR USING MINCEY MARBLE PRODUCTS!

IF YOU HAVE ANY QUESTIONS, PLEASE CALL MINCEY MARBLE CUSTOMER SERVICE AT 770.532.0451

Copyright © 2000 Mincey Marble Inc.