

Installation Instructions for Mincey Marble Manufacturing's Madison Bypass Barn Door Shower Enclosures

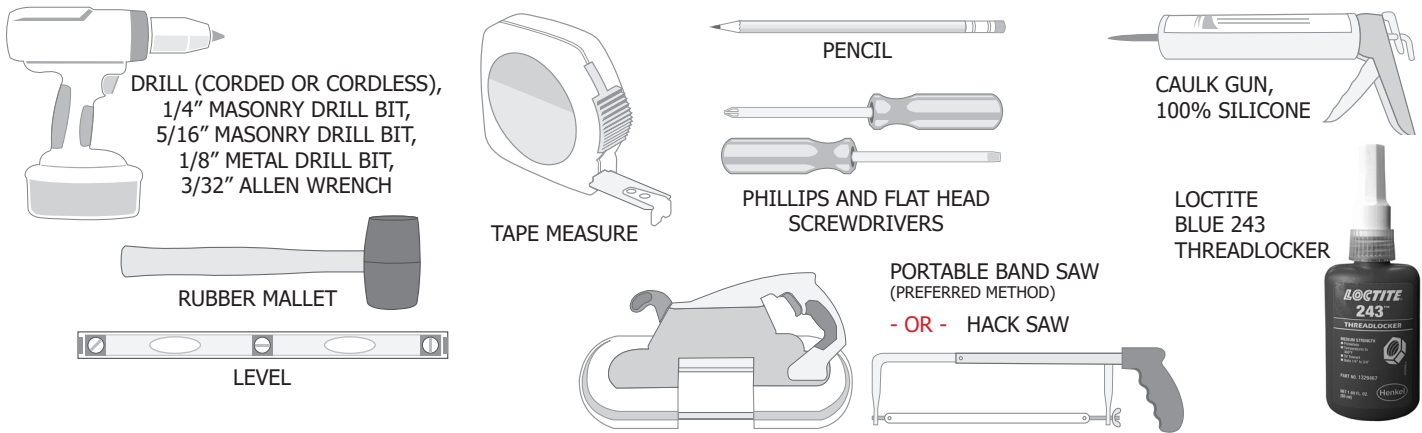
MATERIALS / TOOLS NEEDED CHECKLIST
PRE-INSTALLATION PIECES / PARTS LIST
ENCLOSURE SYSTEM INSTALLATION

ATTENTION: Prior to starting the installation, please read through these instructions. This will help avoid any unnecessary breakage. Any breakage due to handling or installing this enclosure system is the responsibility of the installer and is not covered under the Mincey Warranty. Warranty will be voided if included hardware is not used during installation. Mincey recommends that two people are used to install this shower enclosure system due to the weight and fragility of the glass panels. Mincey also recommends that you protect the glass, especially the bottoms, and the shower pan during installation. If your doors have frosted glass, the frosted side of the glass goes to the outside of the shower.

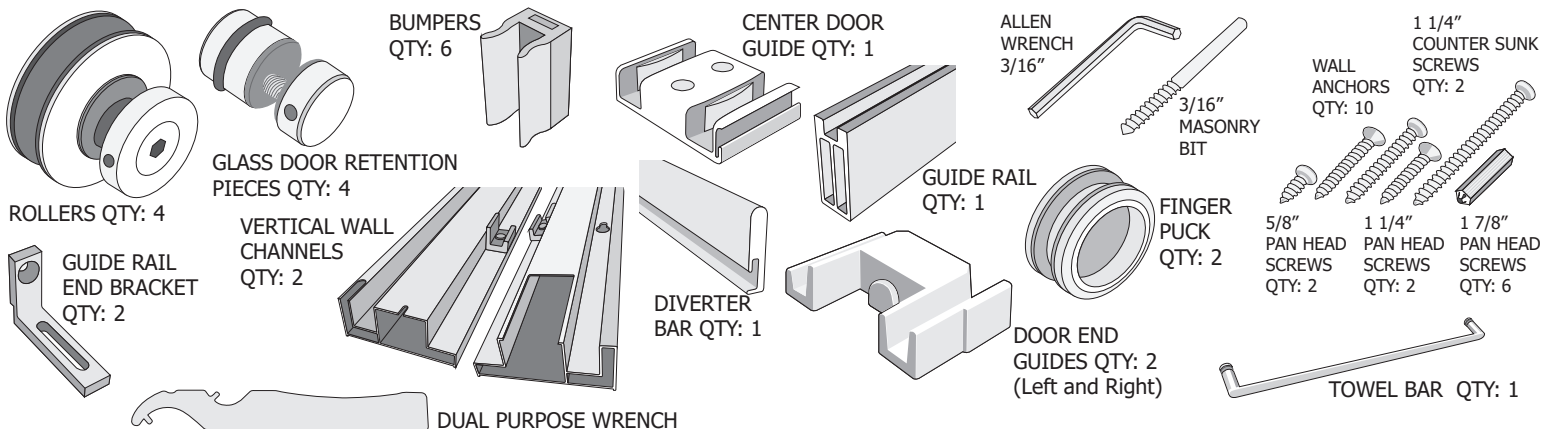
These installation instructions apply to the Mincey Madison Bypass Barn Door Shower Enclosure System. In these instructions we are going to use an example with a 60" wide shower. **All Drawings Are Not To Scale.**

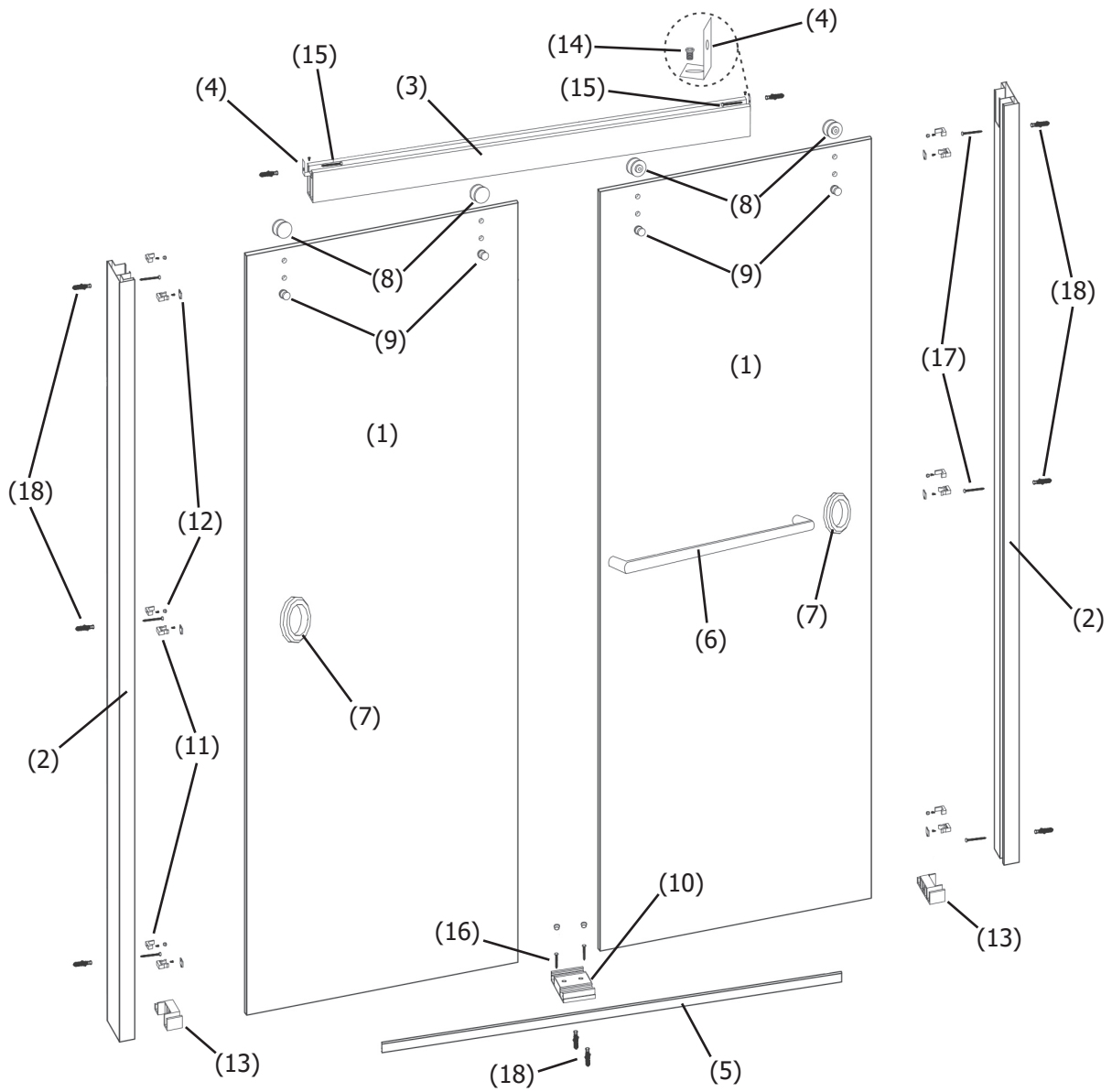
Uncrate all of the materials and confirm that all of the parts and pieces are present. The Required Tools are listed below. The contents of the Hardware Kit are listed below. The Parts Diagram is on the following page. Before you begin the installation, make sure that all of the pertinent surfaces are clean and free of dust, debris and any shavings. After you perform any drilling, you will want to make sure the surfaces are clean again - this includes the Shower Pan and the Shower Panel Walls.

MATERIALS / TOOLS NEEDED



INCLUDED IN THE HARDWARE KIT





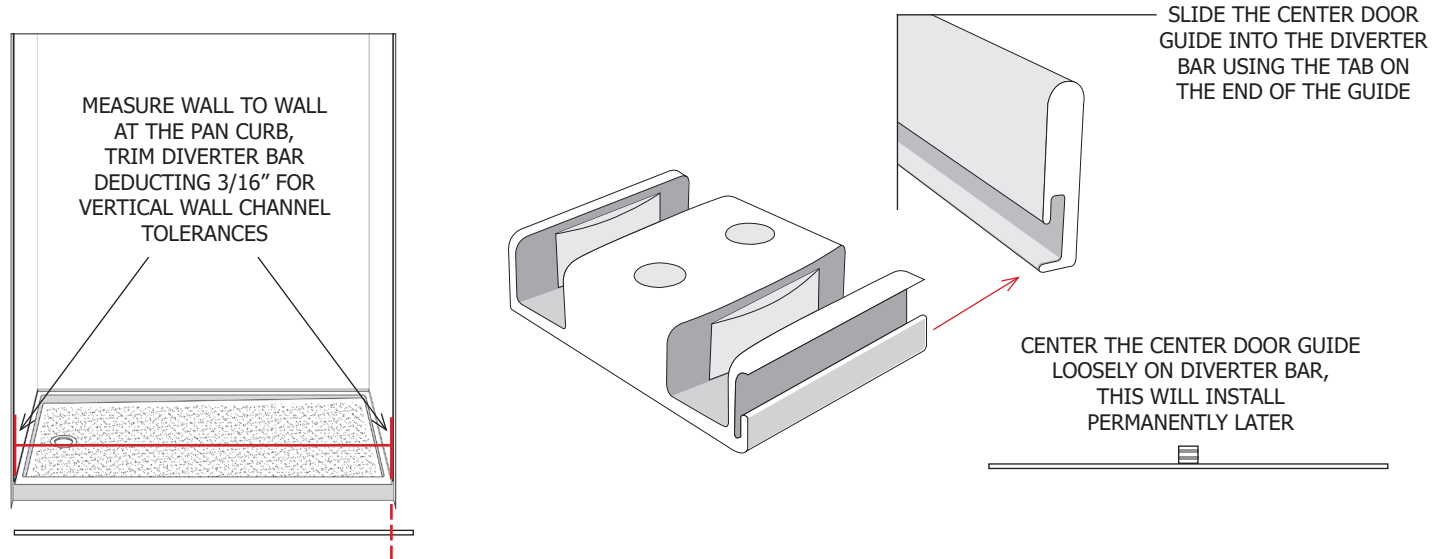
SHOWER ENCLOSURE PARTS LIST		
ASSEMBLY CODE	ASSEMBLY NAME	QTY
1	GLASS PANEL	2
2	VERTICAL WALL CHANNELS	2
3	GUIDE RAIL	1
4	GUIDE RAIL END BRACKET	2
5	DIVERTER BAR	1
6	TOWEL BAR	1
7	FINGER PUCK	2
8	ROLLERS	4
9	DOOR PANEL RETENTION PIECE	4
10	CENTER DOOR GUIDE	1
11	BUMPERS	6
12	BUMPER SCREW CAPS	6
13	DOOR END GUIDES	2
14	5/8" PAN HEAD SCREWS	2
15	1 1/4" COUNTER SINK HEADS	2
16	1 1/4" PAN HEAD SCREWS	2
17	1 7/8" PAN HEAD SCREWS	6
18	WALL ANCHORS	12

THE MADISON DOOR ASSEMBLED



These instructions are to be followed assuming the Shower Pan is level and the Walls are plumb. After you have confirmed that all of the remaining parts and pieces are present, you are ready to begin by preparing to install the DIVERTER BAR first.

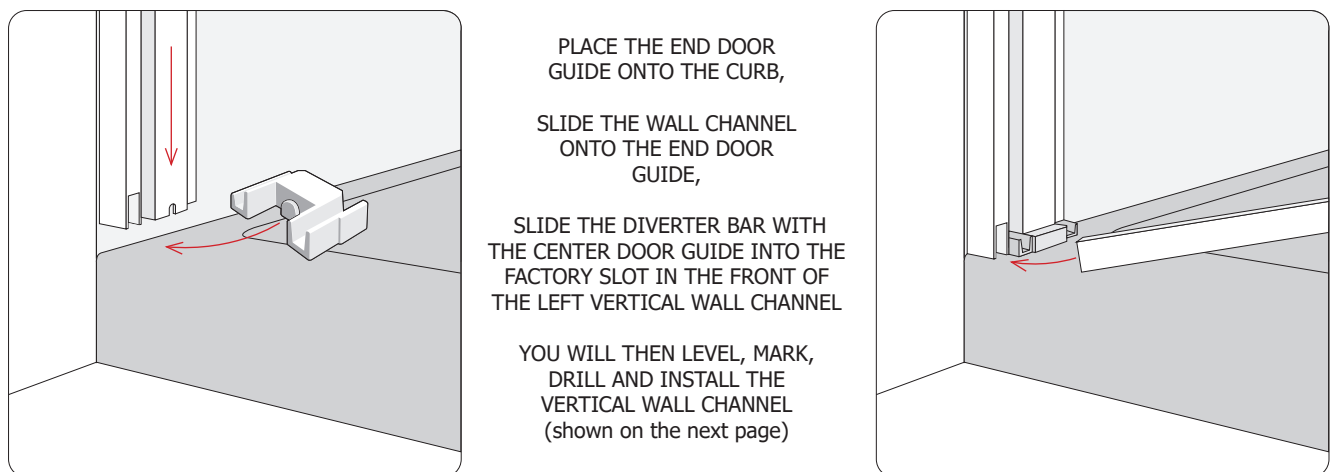
Start by measuring the distance between the Wall Panels just above the Shower Pan Curb, and deducting 3/16" tolerance for the Vertical Wall Channels. Trim the DIVERTER BAR using the Portable Band Saw or Hack Saw. The DIVERTER BAR can be trimmed from either end. Then, slide the CENTER DOOR GUIDE onto the DIVERTER BAR. You will center and install the Door Guide later.



Next, Mark and Drill the holes for the LEFT VERTICAL WALL CHANNEL making sure it is Plumb with the Level. First, you will need to bring the VERTICAL WALL CHANNEL to the very FRONT of the Shower Pan Curb.

Place the DIVERTER BAR with CENTER DOOR GUIDE on the Top of the Curb. Place the LEFT DOOR END GUIDE onto the Curb so that the TAB lines up with the TAB SLOT at the Bottom of the LEFT VERTICAL WALL CHANNEL. The Larger Fin goes to the Inside of the shower.

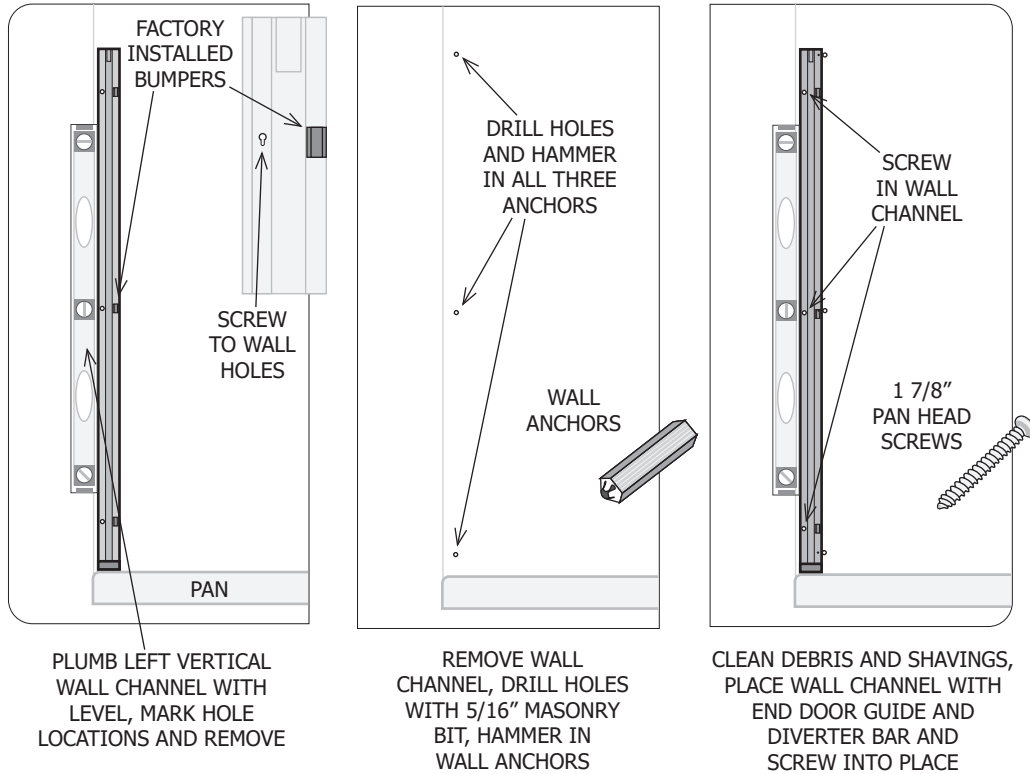
Hold in place the LEFT VERTICAL WALL CHANNEL while sliding the DIVERTER BAR into the slot manufactured from the factory in the Front of the VERTICAL WALL CHANNEL - while also making sure the LEFT SIDE DOOR GUIDE is correctly placed in the Wall Channel. **(NOTE: The Vertical Wall Channels have 3 Bumpers each installed from the factory already installed, and will be oriented to the Outside of the shower, the holes to be marked are on the other side of the Wall Channels.)**



If you have any questions, please call MINCEY MARBLE CUSTOMER SERVICE at 770-532-0451.

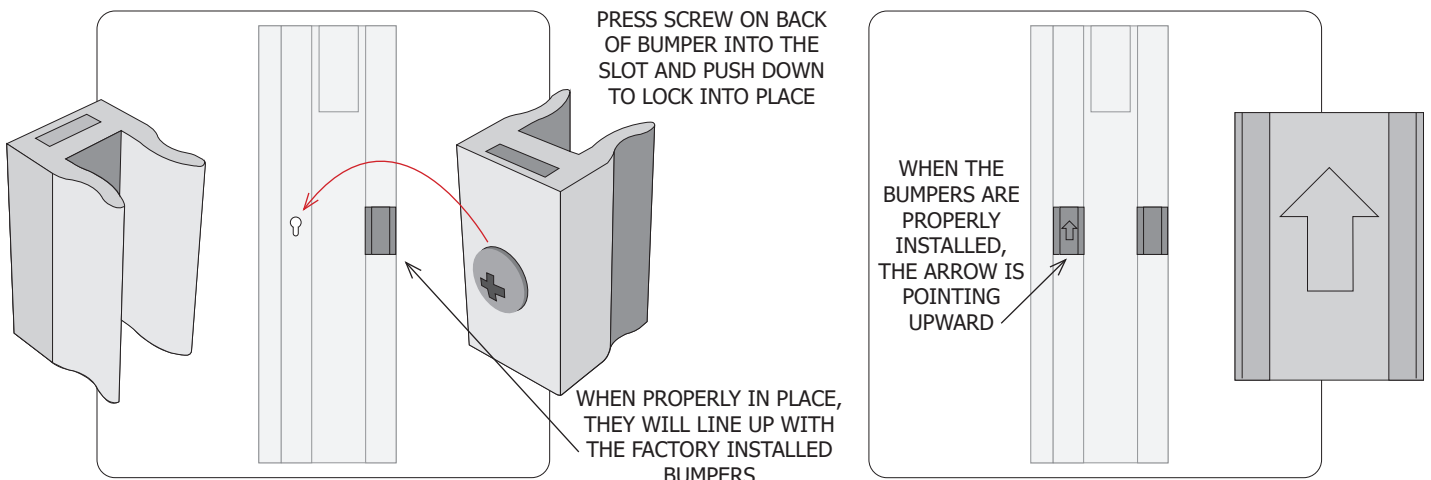
With the Diverter Bar, End Door Guide and Vertical U Channel held in place, make sure the U Channel is LEVEL, and Flush with the Front of the Shower Pan Curb.

Mark the THREE HOLES to be drilled. Remove the Wall Channel, DRILL the Holes using the 5/16" Masonry Bit, Hammer in the THREE WALL ANCHORS. Replace the Wall Channel, Diverter Bar and the Left Door End Guide and INSTALL. **(NOTE: Do not overtighten the screws to keep from breaking the marble panel.)**



When you have the Left Vertical Wall Channel installed, you are ready to install the BUMPERS. The BUMPERS have a top and bottom specification and they are marked on the inside of the track for the glass with an ARROW to be facing upward.

To install the BUMPERS you SLIDE the BUMPER into the SLOT in the Wall Channel, PRESS and SLIDE DOWNWARD. You will feel the BUMPER lock into place. It will come to rest evenly across from the Factory Installed Bumpers that came already installed on the Wall Channel.

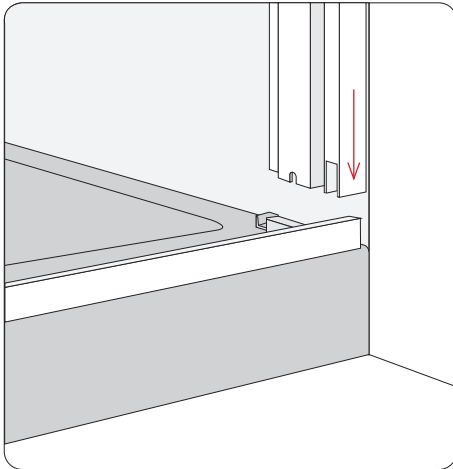


If you have any questions, please call MINCEY MARBLE CUSTOMER SERVICE at 770-532-0451.

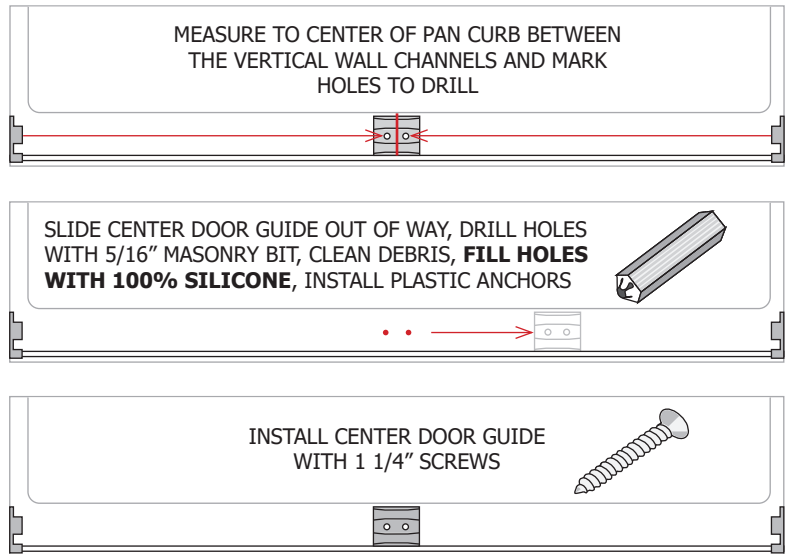
Follow the same instructions to install the RIGHT VERTICAL WALL CHANNEL. Make sure the measurement from the Front of the Shower Pan Curb and the DIVERTER BAR is even. Also, make sure the WALL CHANNELS are even.

Next, you will Center the CENTER DOOR GUIDE. First, measure to the Center of the Shower opening on top of the Curb. Slide the CENTER DOOR GUIDE to one side out of the way. Then, drill the holes on the Shower Pan Curb using a 5/16" Masonry Drill Bit. Clean up any debris or shavings. Fill the holes with 100% Silicone and push in two PLASTIC ANCHORS, and wipe up any excess Silicone. Slide the CENTER DOOR GUIDE back into position and screw into place.

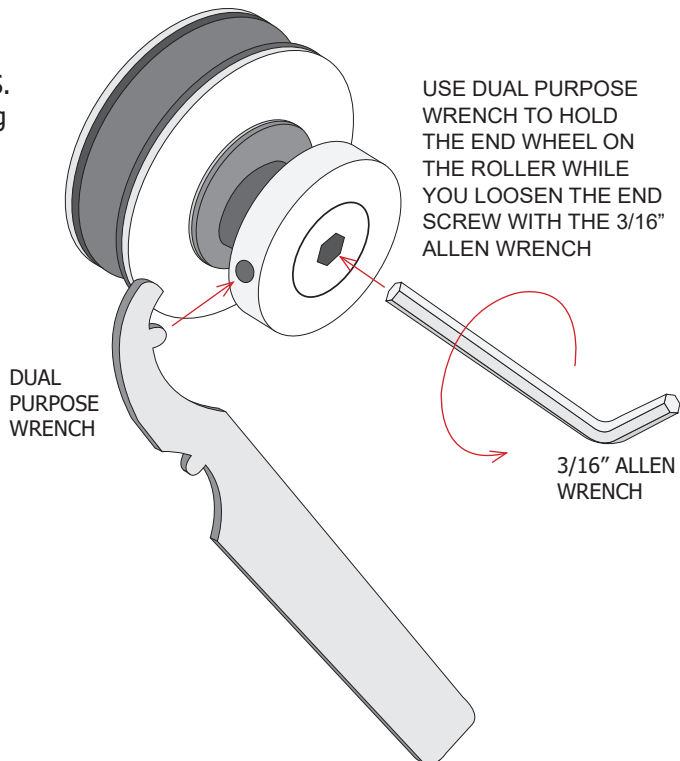
SLIDE THE RIGHT VERTICAL WALL CHANNEL WITH THE FACTORY SLOT INTO POSITION OVER THE DIVERTER BAR



THEN INSTALL THE RIGHT VERTICAL WALL CHANNEL FOLLOWING THE SAME INSTRUCTIONS AS THE LEFT VERTICAL WALL CHANNEL

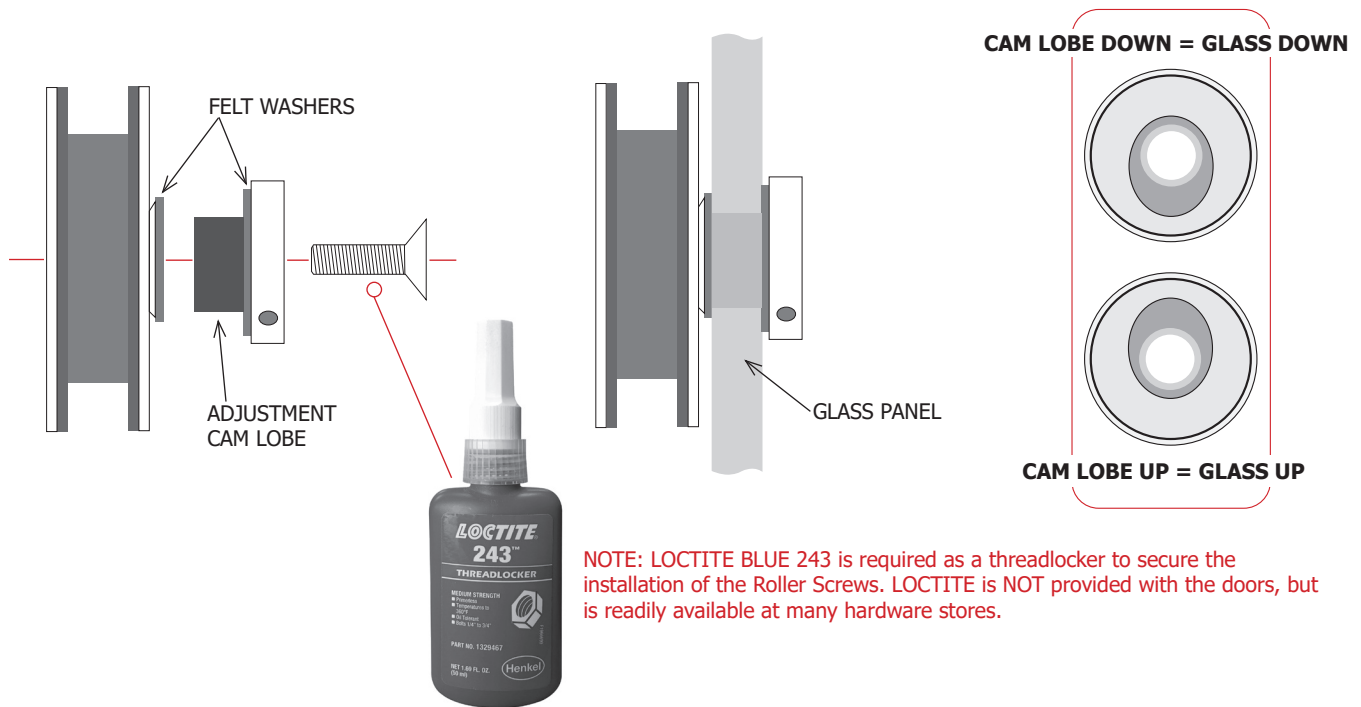


Next you will prepare to install the GLASS PANELS. Start by disassembling the ROLLERS and installing them onto the GLASS PANELS.



If you have any questions, please call MINCEY MARBLE CUSTOMER SERVICE at 770-532-0451.

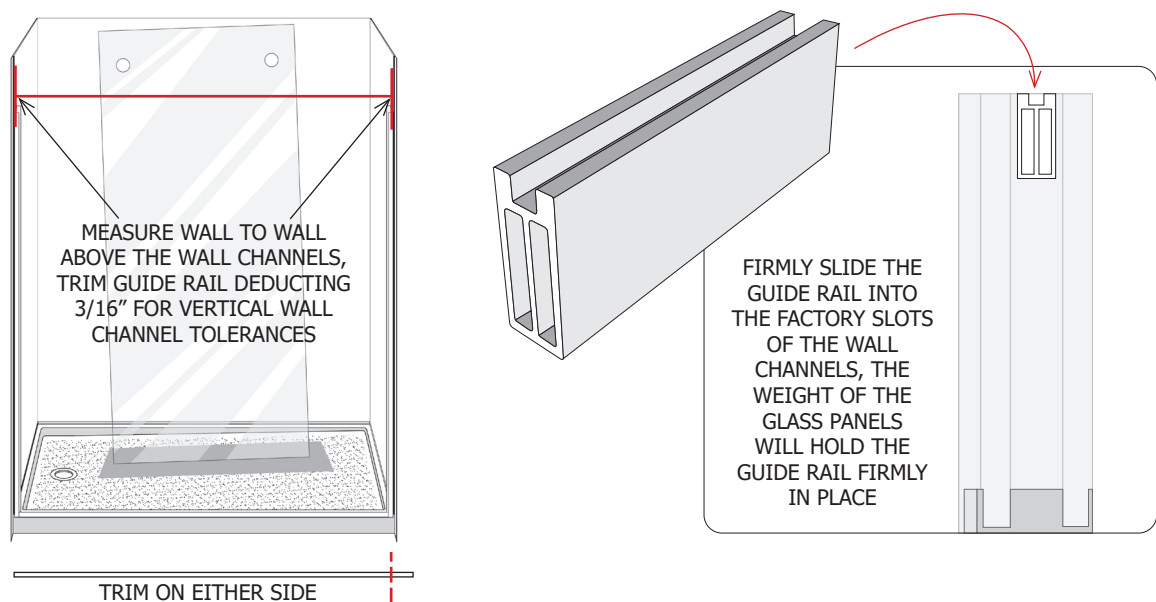
Install all of the ROLLERS into the Upper Holes in the GLASS PANELS with the CAM LOBE in the DOWN position, this will place the GLASS PANELS in the DOWN position as a baseline for starting the panel adjustments.



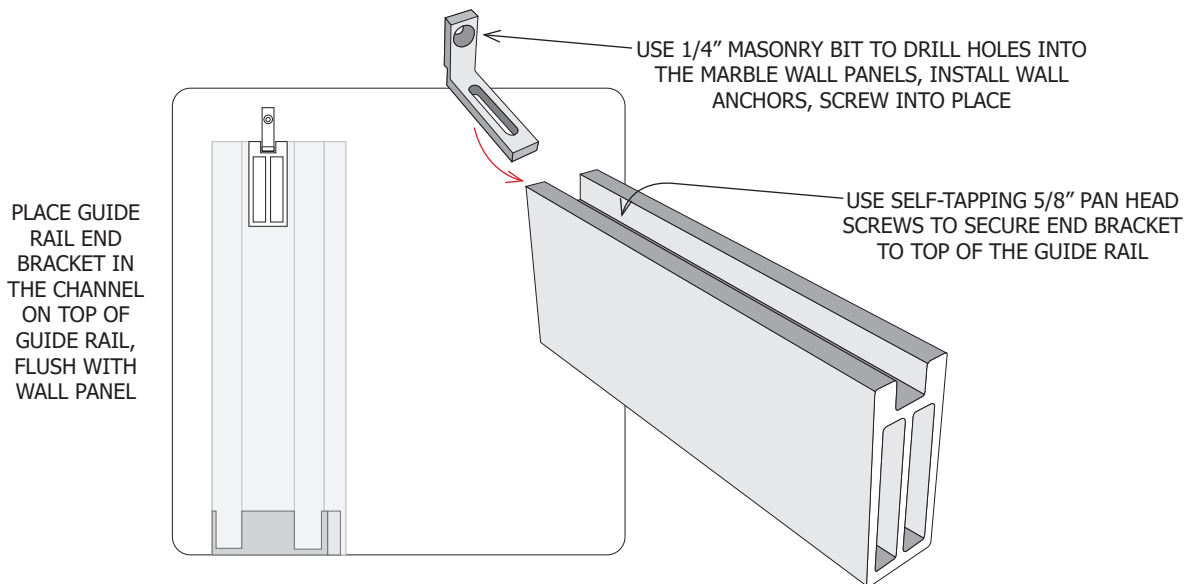
NOTE: LOCTITE BLUE 243 is required as a threadlocker to secure the installation of the Roller Screws. LOCTITE is NOT provided with the doors, but is readily available at many hardware stores.

You are now ready to install the GUIDE RAIL. Before you install the GUIDE RAIL, it is recommended to place one of the GLASS PANELS inside the Shower with the ROLLERS facing outward. This will make it easier to install the Inside Glass Panel after the GUIDE RAIL has been installed. Be sure to protect the bottom of the GLASS PANEL and the Shower Pan. **(NOTE: In these example instructions, the Shower Drain and Fixture are on the Left Side of the Shower, and the Inside Door will be on the Left Side as well.)**

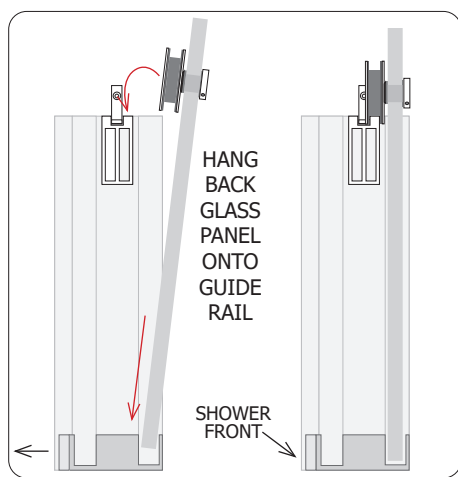
To install the GUIDE RAIL, begin by measuring between the panels right above the Vertical Wall Channels and deduct 3/16" for the Vertical Wall Channels tolerances. Trim the GUIDE RAIL using the Portable Band Saw or Hack Saw. Install the GUIDE RAIL by firmly placing in the factory slots in the Wall Channels with the "U" Channel on top. The Rollers will glide back and forth on the "U" Channel.



You are now ready to install the GUIDE RAIL END BRACKETS. Place the GUIDE RAIL END BRACKETS in place, in the Channel, on top of the Guide Rail, Flush with the Wall Panels. Drill the two holes into the Marble Wall Panels using the 1/4" Masonry Drill Bit. Install two Wall Anchors in the holes and Screw the End Brackets securely into place. Use the 5/8" Self-Tapping Pan Head Screws to install the End Brackets onto the Guide Rail.



To install the GLASS PANELS, begin with the BACK GLASS PANEL that is already placed inside the Shower. Carefully align the bottom of the GLASS PANEL into the CENTER DOOR GUIDE located on the DIVERTER BAR as you hang the ROLLERS onto the GUIDE RAIL. Make sure the ROLLERS are facing out of the Shower on the Inside Panel.



Then, you will adjust the ROLLERS to align the Inside Door flush with the Vertical Wall Channel Bumpers where the Shower Head is located - in this example that will be the Left Side. You must remove the weight off of the Rollers to be able to adjust them.

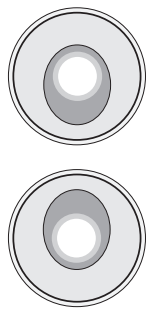
This is shown on the next page.



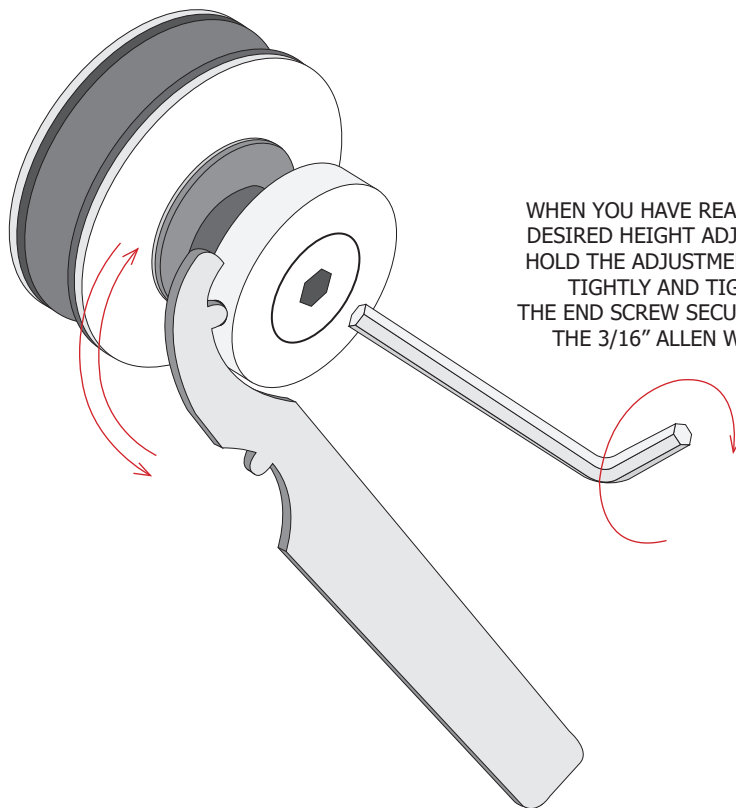
Adjust the ROLLERS to align the Inside Door flush with the Vertical Wall Channel Bumpers where the Shower Head is located - in this example that will be the Left Side. You must remove the weight off of the Rollers to be able to adjust them.

ROTATE THE ADJUSTMENT WHEEL BY USING THE DUAL PURPOSE WRENCH TO ADJUST THE GLASS PANEL UP OR DOWN TO MAKE SURE THE GLASS PANEL IS FLUSH TO THE VERTICAL WALL CHANNEL AT BOTH THE TOP AND BOTTOM BUMPER LOCATIONS

CAM LOBE DOWN = GLASS DOWN



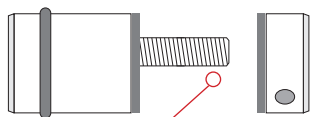
CAM LOBE UP = GLASS UP



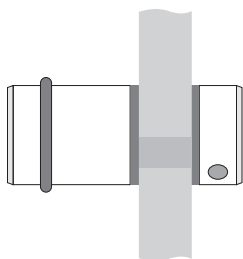
WHEN YOU HAVE REACHED THE DESIRED HEIGHT ADJUSTMENT, HOLD THE ADJUSTMENT WHEEL TIGHTLY AND TIGHTEN THE END SCREW SECURELY WITH THE 3/16" ALLEN WRENCH

After you have installed the Back Glass Panel and adjusted the Rollers so that the Glass Panels close flush to the Wall Channel Bumpers, you are ready to install the two RETENTION PIECES to the Back Glass Panels. Use the DUAL PURPOSE WRENCH to adjust the height of the RETENTION PIECES, much in the same way the Rollers are adjusted. Then, use both The DUAL PURPOSE WRENCH and the 1/8" Allen Wrenches to securely tighten the RETENTION PIECES in place.

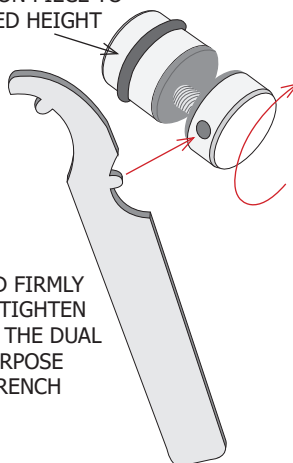
It is ideal to leave enough space between the RETENTION PIECES and the GUIDE RAIL to slide a Credit Card or a Key Card in-between, to ensure secure, ease of motion of the Glass Panel.



NOTE: LOCTITE BLUE 243 is required as a threadlocker to secure the installation of the Retention Piece Screws. LOCTITE is NOT provided with the doors, but is readily available at many hardware stores.

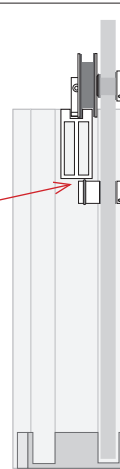


RAISE OR LOWER RETENTION PIECE TO DESIRED HEIGHT

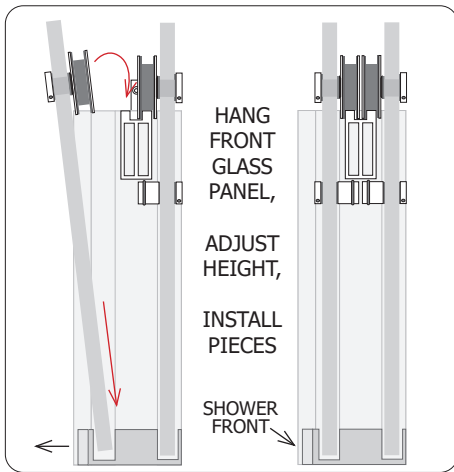


HOLD FIRMLY AND TIGHTEN USING THE DUAL PURPOSE WRENCH

RAISE RETENTION PIECES TO WHERE A CREDIT CARD OR A KEY CARD WILL SLIDE BETWEEN THE RUBBER GASKET OF THE RETENTION PIECE AND THE GUIDE RAIL, ALLOWING FOR SECURE, SMOOTH, GLIDING OPERATION OF THE GLASS PANELS



You are now ready to install the FRONT GLASS PANEL. Carefully align the bottom of the GLASS PANEL into the CENTER DOOR GUIDE located on the WATER GUARD as you hang the ROLLERS onto the GUIDE RAIL. Next, follow the same instructions as the Back Glass Panel and adjust the height of the Glass Panel with the Rollers to the desired position and install the Retention Pieces.



If your Madison Door has a TOWEL BAR, FINGER PUCKS or BOTH, you are now ready to install them in the pre-cut holes in the GLASS PANELS.

In our example instructions here, we will be demonstrating the installation of both a Towel Bar and two Finger Pucks. The Inside Door, closed to the wall with the Shower Head, will have a Finger Puck. The Outside Door will have both a Finger Puck and a Towel Bar.



ADD LOCTITE BLUE 243 TO SCREWS

BAR ENDS (Qty: 2)

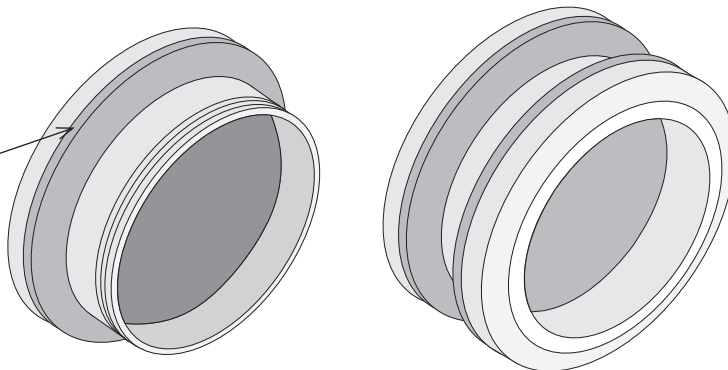
ACRYLIC WASHERS INCLUDED - BE SURE TO INSTALL THE SMALLEST GLASS PROTECTOR WASHERS IN THE MIDDLE

USE A 3/32" ALLEN WRENCH TO TURN

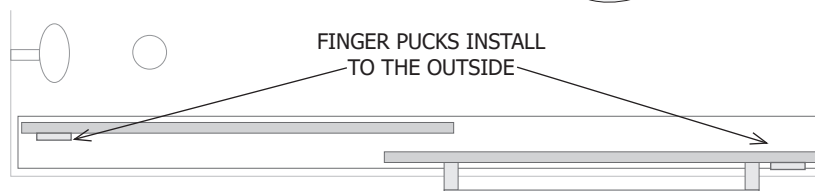
THIS IS NOT A SET SCREW, USE ALLEN WRENCH TO ROTATE TOWEL BAR END UNTIL ADEQUATELY TIGHT

You are now ready to install the FINGER PUCKS. They are simply disassembled, installed with the protective washers in place and hand-tightened as tight as possible.

DISASSEMBLE THE FINGER PUCK, INSTALL WITH PROTECTIVE WASHERS IN PLACE

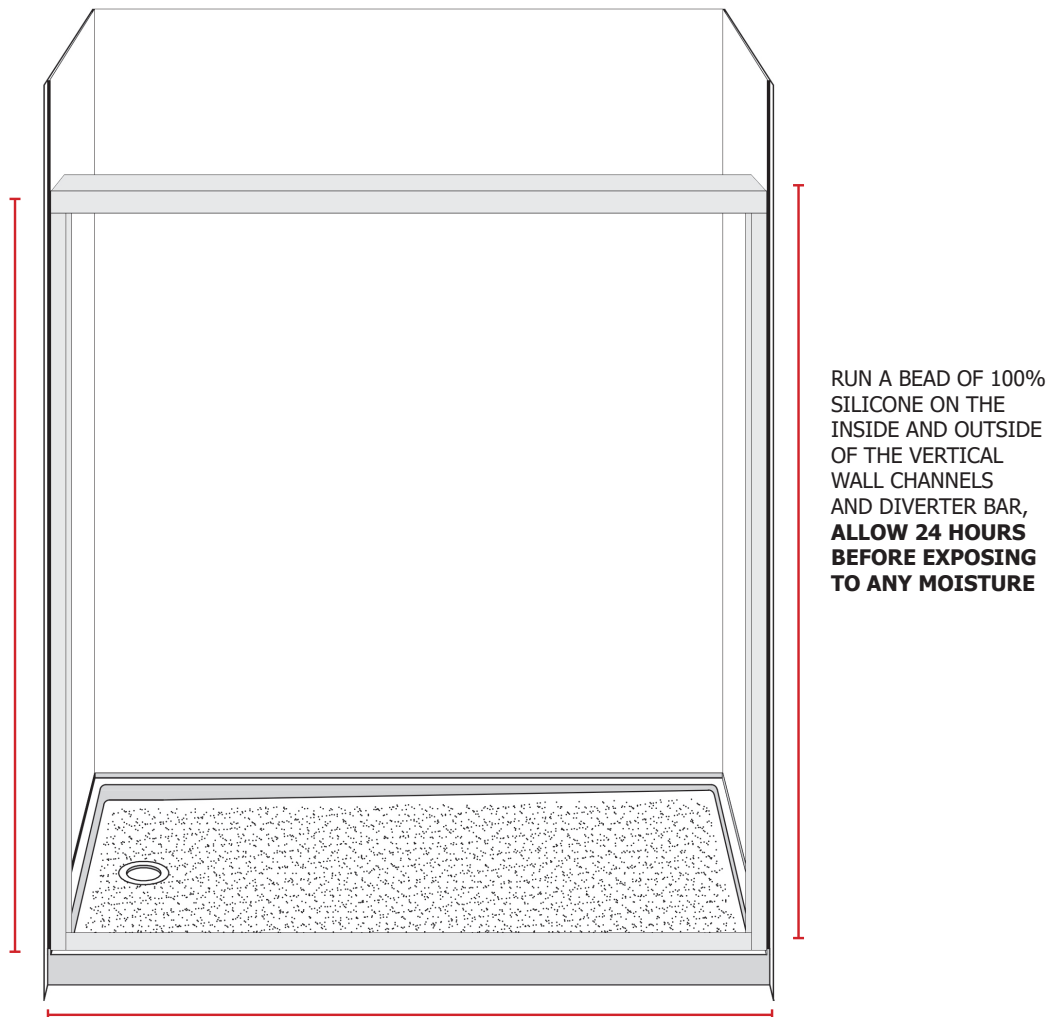


INSTALL BY HAND-TIGHTENING AS TIGHT AS POSSIBLE



If you have any questions, please call MINCEY MARBLE CUSTOMER SERVICE at 770-532-0451.

Lastly, apply a bead of 100% SILICONE on the INSIDE where the Diverter Bar meets the Pan and where the Wall Channels meet the Panels. Repeat the same process for the OUTSIDE of the Wall Channels and the Diverter Bar. **Must allow the Silicone to dry for 24 hours before any exposure to water or moisture.**



THANK YOU FOR USING OUR MINCEY MARBLE PRODUCT! WE APPRECIATE YOUR BUSINESS!
If you have any questions, please call MINCEY MARBLE CUSTOMER SERVICE at 770-532-0451.