

Installation Instructions for Mincey Marble Manufacturing's Standard Hinged Door Shower Enclosure

MATERIALS / TOOLS NEEDED CHECKLIST
PRE-INSTALLATION PIECES / PARTS LIST
ENCLOSURE SYSTEM INSTALLATION

ATTENTION: Prior to starting the installation, please read through these instructions. This will help avoid any unnecessary breakage. Any breakage due to handling or installing this enclosure system is the responsibility of the installer and is not covered under the Mincey Warranty. Mincey recommends that two people are used to install this shower enclosure system due to the weight and fragility of the glass panels. Mincey also recommends that you protect the glass, especially the bottoms, and shower pan during installation.

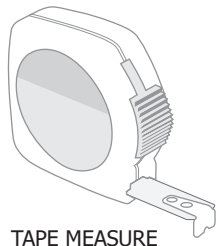
These installation instructions apply to the Mincey Hinged Door Shower Enclosure System. In these instructions we are going to use an example with a 60" wide shower. All Drawings Are Not To Scale.

Start by uncrating the materials and confirm that all of the parts and pieces are present and are not damaged. The Required Tools are listed below. The contents of the Hardware Kit are listed below. The Parts Diagram is on the following page. Before you begin the installation, make sure that all of the pertinent surfaces are clean and free of dust, debris and any shavings. After you perform any drilling, you will want to make sure the surfaces are clean again - this includes the Shower Pan and the Shower Panel Walls.

MATERIALS / TOOLS NEEDED



DRILL (CORDED OR CORDLESS),
3/16" MASONRY DRILL BIT,,
COUNTERSINK



TAPE MEASURE



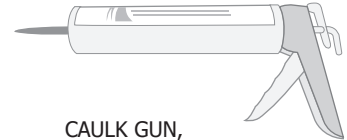
LEVEL



PENCIL



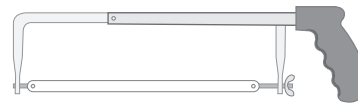
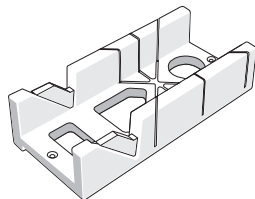
PHILLIPS HEAD SCREWDRIVER



CAULK GUN,
100% SILICONE



RUBBER MALLET



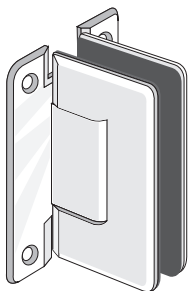
HACK SAW & MITER BOX
- OR -

COMPOUND MITER SAW
(Preferred Method)



LOCTITE
BLUE 243
THREADLOCKER

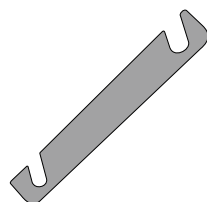
INCLUDED IN THE HARDWARE KIT



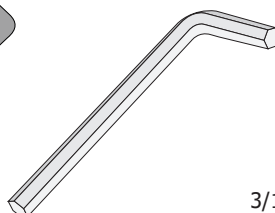
DOOR HINGES, QTY: 2



CLEAR SETTING
BLOCKS,
QTY: 2

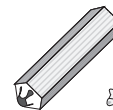


HINGE SHIMS, QTY: 2

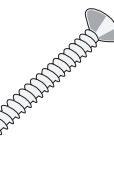


ALLEN WRENCH,
5/32"

3/16"
SHOWER PAN
CURB ANCHORS,
QTY: 8

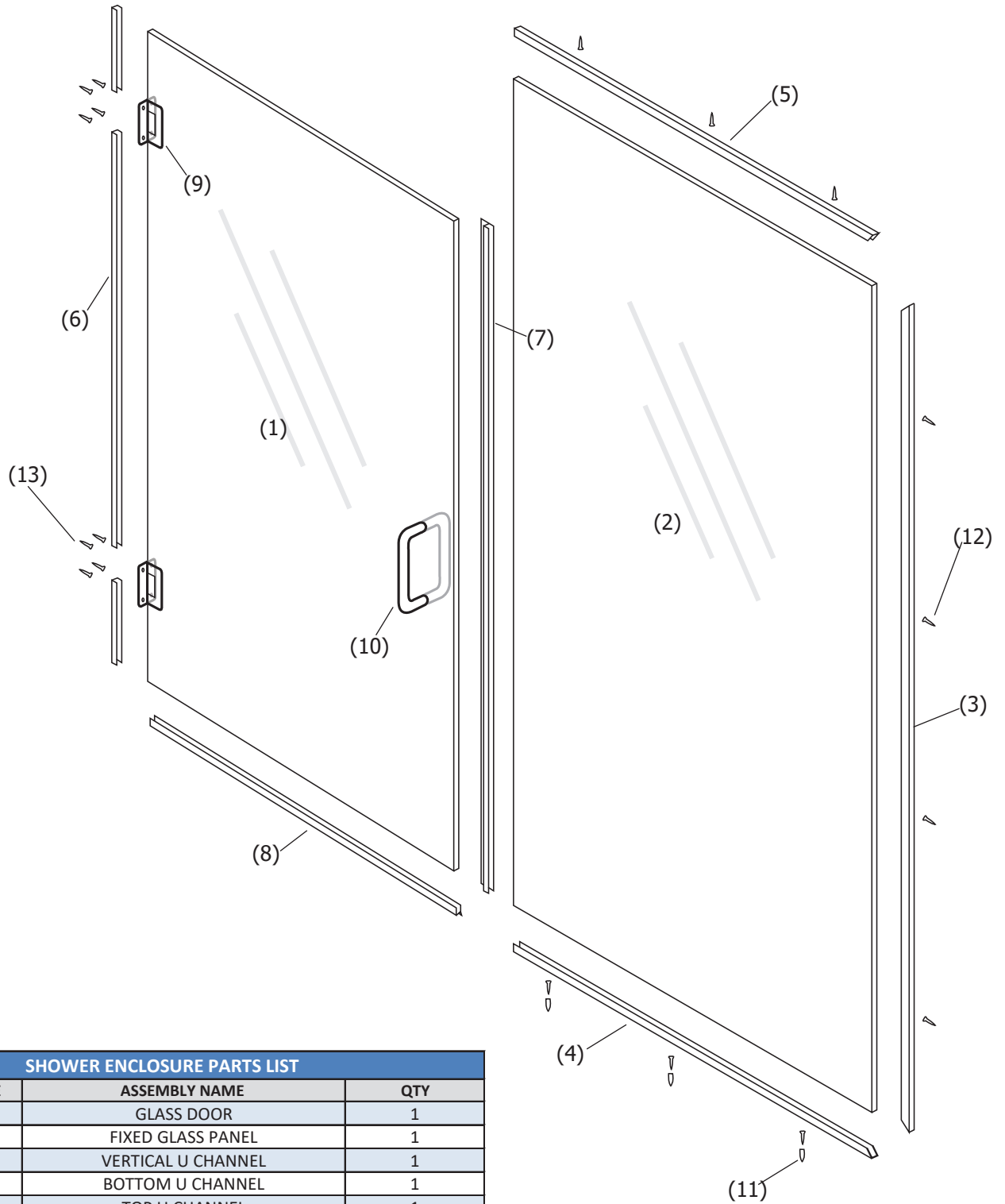


1 1/2"
FLAT
HEAD
SCREWS,
QTY: 8



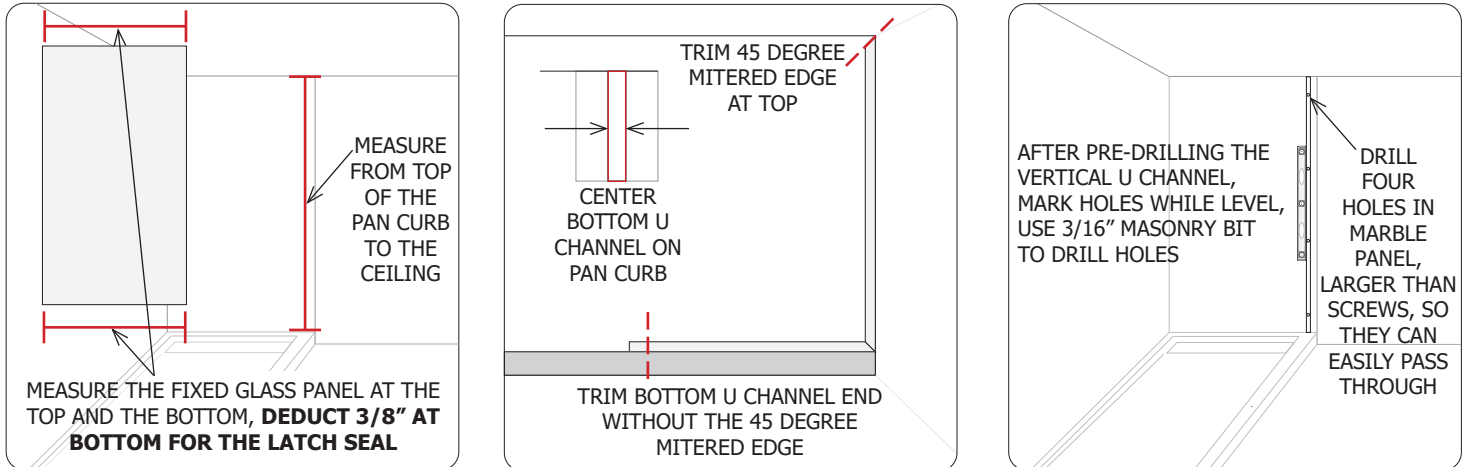
3"
FLAT
HEAD
SCREWS,
QTY: 8

INSTALLATION BAGS COME WITH ANCHORS FOR THE 1 1/2" SCREWS, BUT ANCHORS ARE NOT NEEDED FOR THE VERTICAL AND TOP U CHANNEL AS BLOCKING IS REQUIRED.



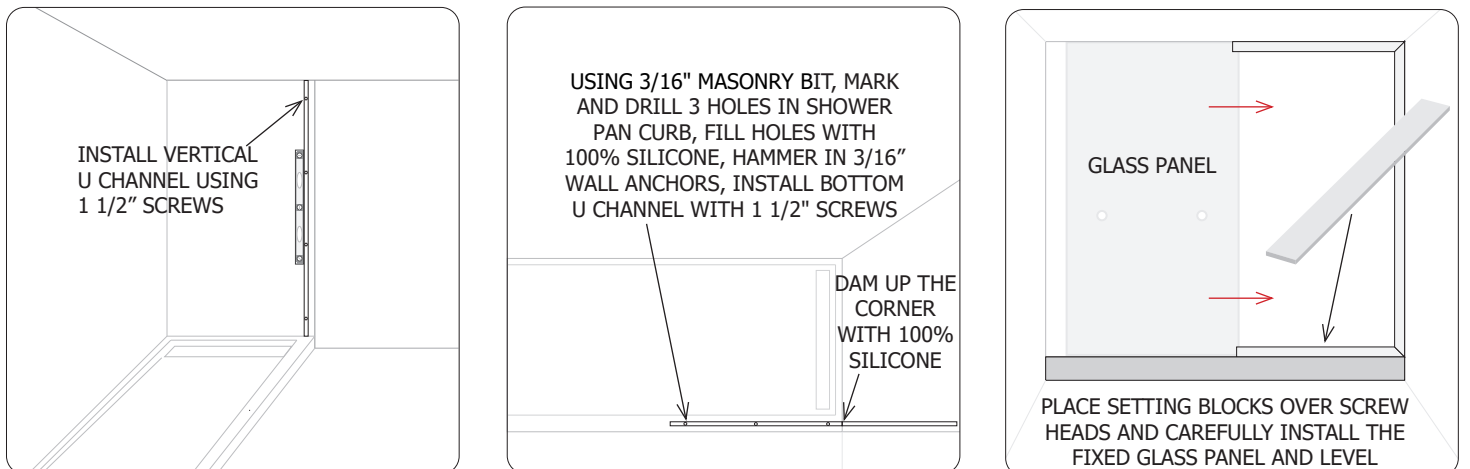
SHOWER ENCLOSURE PARTS LIST		
ASSEMBLY CODE	ASSEMBLY NAME	QTY
1	GLASS DOOR	1
2	FIXED GLASS PANEL	1
3	VERTICAL U CHANNEL	1
4	BOTTOM U CHANNEL	1
5	TOP U CHANNEL	1
6	HINGE SEAL	1
7	LATCH SEAL	1
8	BOTTOM DRIP SWEEP	1
9	DOOR HINGES	2
10	HANDLE	1
11	3/16" SHOWER PAN CURB ANCHORS	8
12	3" FLAT HEAD SCREWS	8
13	1 1/2" FLAT HEAD SCREWS	8

These instructions are to be followed assuming the Shower Pan is level and the Walls are plumb. After you have confirmed that all of the remaining parts and pieces are present, you are ready to begin by installing the FIXED GLASS PANEL first. Start by trimming the BOTTOM U CHANNEL. Measure the BOTTOM of the FIXED GLASS PANEL. Deduct 3/8" for the width of the LATCH SEAL to be installed on the FIXED GLASS PANEL later. Trim this measurement off of the end of the BOTTOM U CHANNEL that does not have the Mitered, 45 degree angle. **You will need to Drill and Countersink all of the necessary holes into the locations on all three U Channels.**



Measure the Top of the FIXED GLASS PANEL, but do not deduct anything. Measure from the Top of the Pan Curb to the ceiling. Trim the TOP U CHANNEL like the BOTTOM U CHANNEL. Pre-drill and Countersink 3 holes in the TOP and BOTTOM U CHANNELS. Trim the VERTICAL U CHANNEL at a 45 degree angle at the top. Pre-drill and Countersink 4 holes in the VERTICAL U CHANNEL and Mark the holes on the Wall Panel while holding Level.

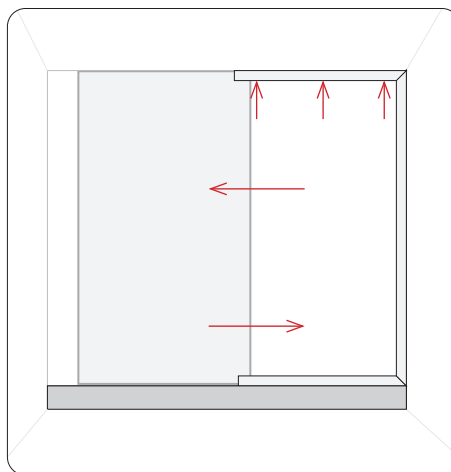
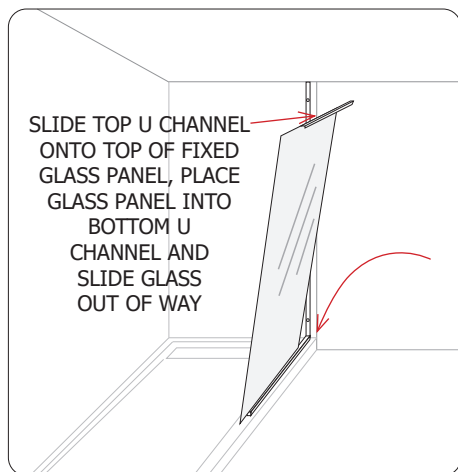
Using a 3/16" Masonry Bit, drill holes in the Marble Wall Panel large enough that the Screws pass through the panel without interference. Next install the VERTICAL U CHANNEL (Mincey Marble requires blocking behind the walls). USE LOCTITE FOR SCREWS.



After installing all three U CHANNELS, place SETTING BLOCKS over the Screws in the Bottom U Channel. Dam up the Bottom Corner Seam with 100% Silicone. Carefully place the FIXED GLASS PANEL into the U CHANNELS, using SETTING BLOCKS to shim to Level.

If you have any questions, please call MINCEY MARBLE CUSTOMER SERVICE at 770-532.0451.

If your Fixed Glass Panel measures half or more of the total width of your shower, you will need to follow these special instructions: after installing the Vertical and Bottom U Channels, Mark the Top U Channel pre-drilled holes. Slide the Top U Channel onto the Fixed Glass Panel and set the Fixed Glass Panel into the Bottom U Channel. Slide the Fixed Glass Panel out of the way to enable the Top U Channel to be screwed into place. **USE LOCTITE FOR SCREWS.** Carefully slide the Glass Panel back in place, flush with the Wall.

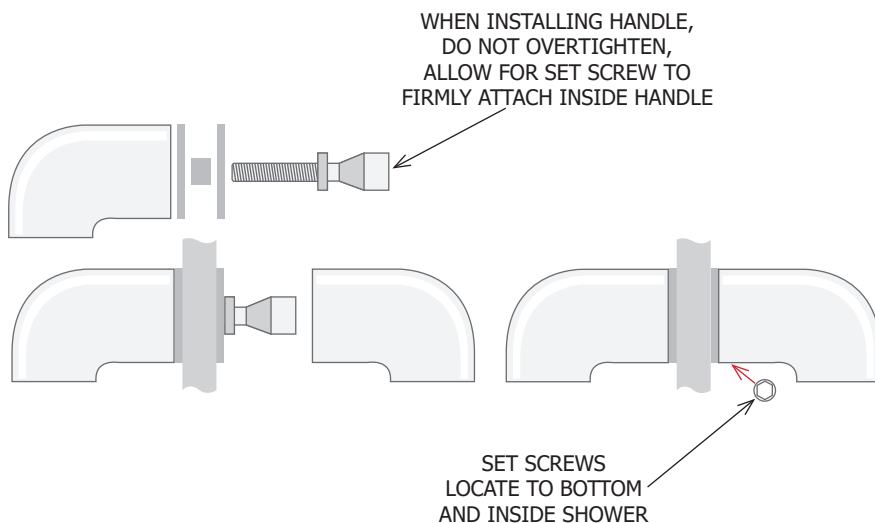
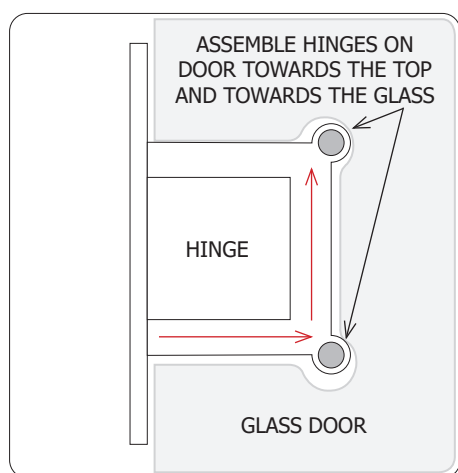


CAREFULLY SLIDE GLASS PANEL OUT OF THE WAY OF THE SCREW HOLES IN THE TOP U CHANNEL, SCREW TOP U CHANNEL INTO PLACE.

SLIDE GLASS PANEL BACK FLUSH AND LEVEL MAKING ANY ADJUSTMENTS NECESSARY

Next, disassemble and re-assemble the HINGES onto the GLASS DOOR. Discard the Thinner Rubber Gaskets because we are using a 3/8" Glass Door and will need the Thicker Rubber Gaskets. The Hinge Screws are to be located inside the shower and will face the back of the shower.

Install the HINGES so that they are referenced all the way up in the mounting area and all the way towards the Fixed Glass Panel, away from the wall they are to be mounted to. This will lower the Glass Door as much as possible. This will allow for flexibility to raise the door off of the Curb and towards the Fixed Glass Panel as necessary for correct alignment. **USE LOCTITE FOR SCREWS.**

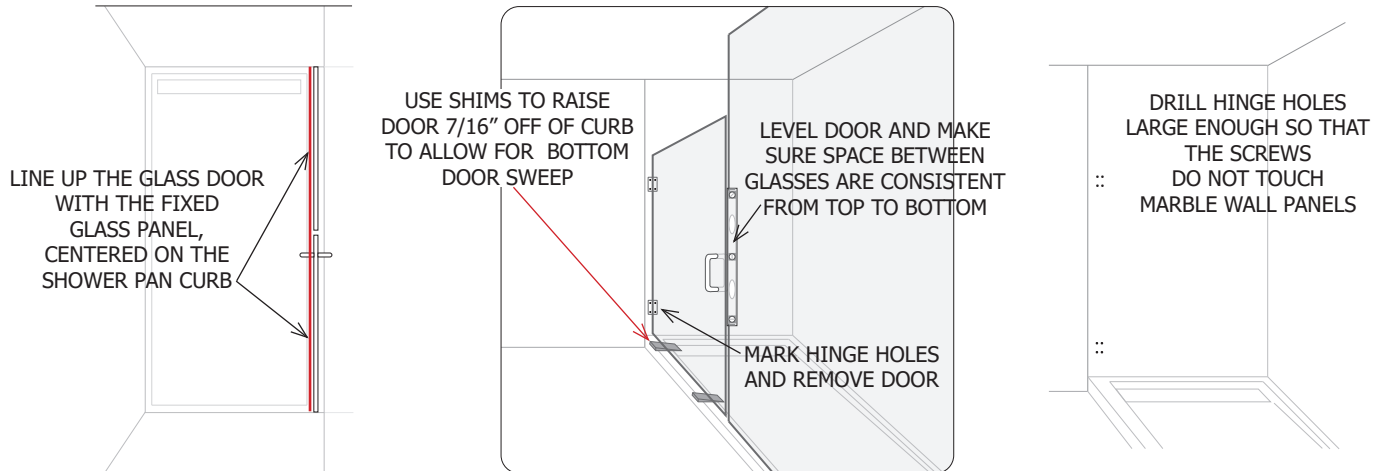


Next, install the DOOR HANDLE. The Set Screws will be located inside the Shower and facing downward. Do not overtighten the Handle Screw. This will allow the Set Screw to be installed securely. **USE LOCTITE FOR SCREWS.**

If you have any questions, please call MINCEY MARBLE CUSTOMER SERVICE at 770-532.0451.

The GLASS DOOR is to be installed next. It is recommended that two people are used when Measuring, Marking and Installing the door; one person inside the shower and one person outside the shower. This will enable the door to be handled with care, so as not to damage anything and to ensure accuracy and proper installation.

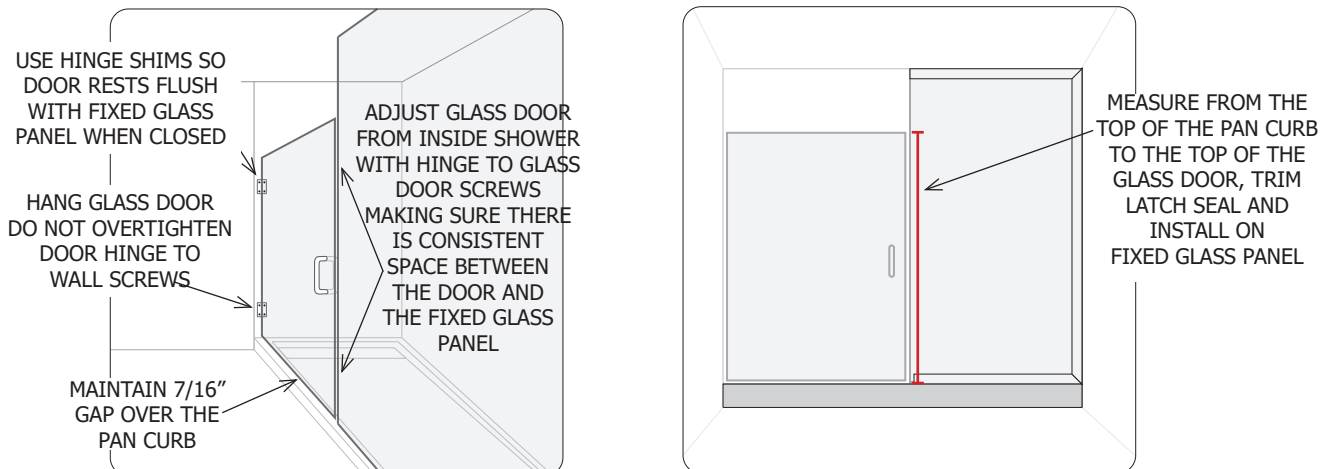
Then, use SHIMS to elevate the Glass Door 7/16" off of the Shower Curb to make room for the BOTTOM DRIP SWEEP. Hold the door level and evenly spaced from the Fixed Glass Panel and MARK the HINGE HOLE'S locations on the Wall Panel.



Use a 3/16" Masonry Bit to drill holes in Wall Panel making sure that holes are large enough that the Screws will clear the Wall Panel without interference. If blocking is not present, use 5/16" Wall Anchors with the 3" Screws to Hang the Glass Door. USE LOCTITE FOR SCREWS. **Do not overtighten the Hinge to Wall Screws when hanging the door.**

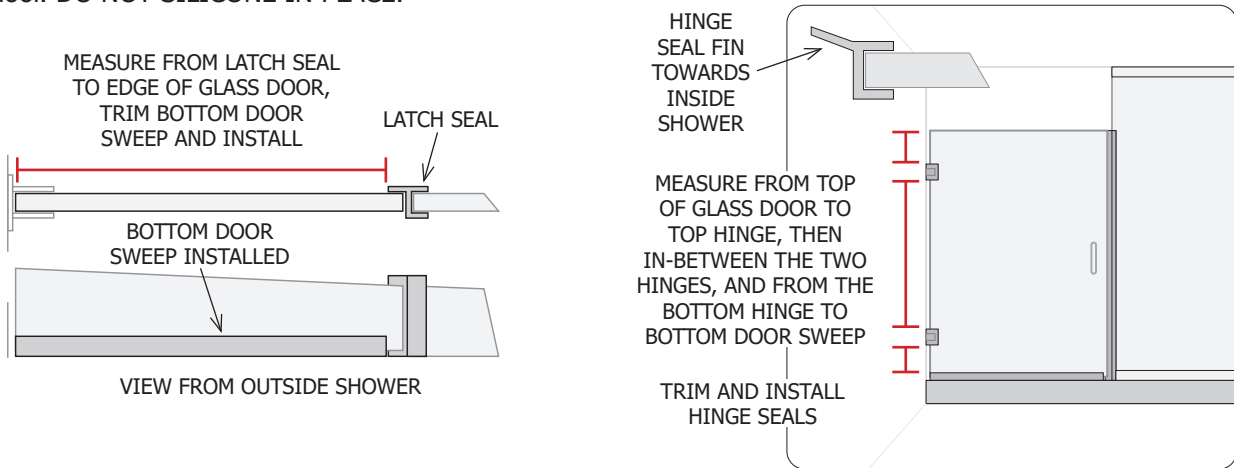
At this point the Glass Door will need to be adjusted using SHIMS, HINGE SHIMS and the HINGE SCREWS that connect the Hinge to the Glass Door on the inside of the shower. USE LOCTITE FOR SCREWS. The Glass Door will need to be adjusted so that there is a consistent amount of space between the Glass Door and the Fixed Glass Panel. If necessary, use the HINGE SHIMS to make sure the Glass Door rests flush with the Fixed Glass Panel when closed.

Once the Glass Door is adjusted properly, TIGHTEN the Hinge to Glass Door Screws as tightly as possible. USE LOCTITE FOR SCREWS. Next, MEASURE from the Shower Pan Curb up to the top of the Glass Door. TRIM the LATCH SEAL to this measurement with a Hack Saw and carefully install on the Fixed Glass Panel - the FIN should be located to the INSIDE of the Shower.



If you have any questions, please call MINCEY MARBLE CUSTOMER SERVICE at 770-532.0451.

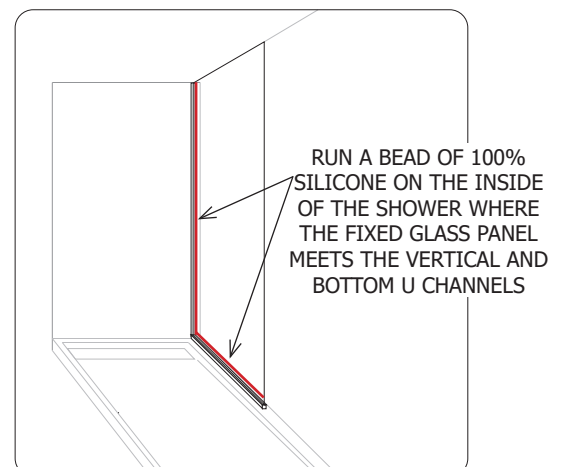
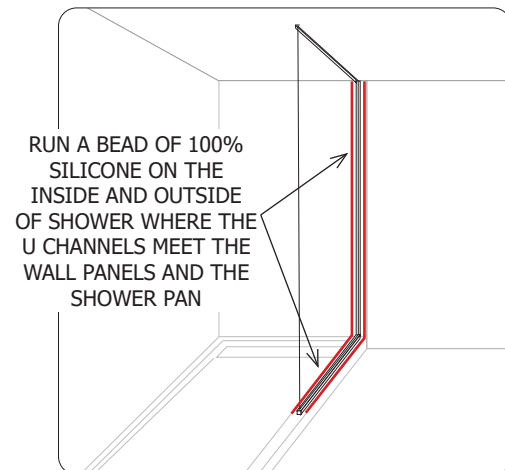
With the Latch Seal installed, next you will Measure, Trim and Install the BOTTOM DOOR SWEEP. While inside the shower with the door closed, start by measuring from the Fin of the Latch Seal to the Edge of the Glass Door. Trim the BOTTOM DOOR SWEEP with the Hack Saw to this measurement and install on the bottom of the door. DO NOT SILICONE IN PLACE.



To install the HINGE SEAL, begin by measuring from the top of the Glass Door to the Top Hinge, then in-between the two Hinges, and from the Bottom Hinge to the top of the Bottom Door Sweep. Trim the HINGE SEAL with the Hack Saw and install all three HINGE SEALS. The FINs of the HINGE SEALS will be located inside the Shower.

The last steps are waterproofing the shower. Run a bead of 100% Silicone on the inside and outside of the shower where the U Channels meet the Wall Panels and the Pan Curb.

Finally, carefully run a bead of 100% Silicone inside the shower where the Fixed Glass Panel meets the U Channels. **Allow 24 hours before any moisture is applied.**



Thank you for your business!

If you have any questions, please call MINCEY MARBLE CUSTOMER SERVICE at 770-532.0451.