



Installation Instructions for Mincey Marble's Corner Mount Shampoo Shelf

Product number: SS-04



In preparation, before installing this shampoo shelf, you will need to have completed the installation of the panel system and sealed the seams of the shower behind where the shelf is to be installed with 100% silicone.

MATERIALS NEEDED:

- Torpedo level
- Pencil
- Silicone (100%) and caulk gun
- Hot melt glue and hot melt glue gun
- Clean, dry rags
- Acetone*

Two types of adhesive are needed to install the shampoo shelf, because they serve different purposes. The hot melt glue bonds immediately but will not hold the shelf for more than a few days. The silicone takes a few hours to cure, but after curing, it and the hot melt glue together will secure the shampoo shelf indefinitely.

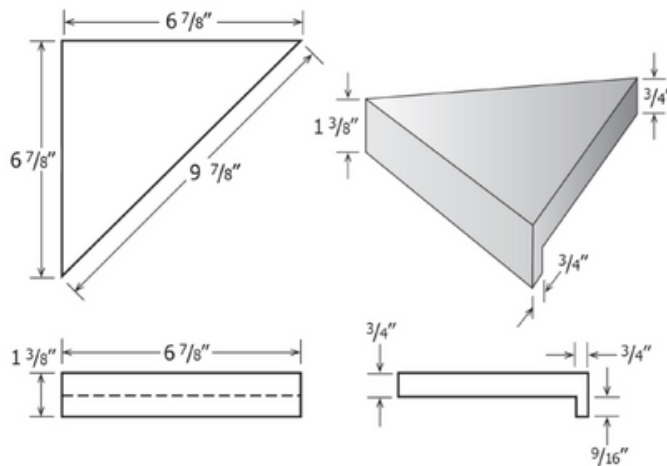
*Please use acetone only. Denatured alcohol or other water-based cleaners are not acceptable. If you do not have acetone, wiping with a clean, dry rag is an acceptable alternative.

NOTE: The shampoo shelf should be located on the wet wall or in the corner of the shower, adjacent to the showerhead and strategically located 48" above the shower floor.

INSTALLATION:

1. First, you will need to determine the location of the shampoo shelf. Measure 48" up on the shower panels and make a mark with your pencil. This will be the height to the top of the shampoo shelf.
2. After determining the correct height for the shelf, use the acetone to thoroughly clean the back of the shelf and the wall where it is to be installed.
3. Using the torpedo level, lightly make a level line to the corner, going onto the adjacent wall with the mark.
4. Apply a bead of silicone to the back sides of the shampoo shelf, and then put several dots of hot glue around the silicone, making sure the two adhesives don't mix.
5. Press the shampoo shelf firmly into the corner, against the walls. Hold for 30 seconds.
6. Wipe away any excess coming from behind the shampoo shelf.
7. Using 100% silicone, color matched for the cast marble, seal around the shampoo shelf once installation is complete.
8. Using a clean rag or cloth, wipe off the pencil lines and any excess silicone.

NOTE: It is important that the two different adhesives DO NOT mix. Once the hot melt glue has been applied, install immediately. If the hot melt glue cools, the glue will need to be scraped off and re-applied.



We recommend using a high temperature hot melt glue stick when attaching your cast marble shampoo shelf to our panel systems. The company we purchase our glue sticks from is AIM Supply and the part number is BO 6390-15. This is a 1/2" x 15" Adhesive Glue Stick. If your installer wants to use glue sticks from Home Depot or Lowe's, we recommend the Arrow Fastener's 4" Super Strong Glue Stick, however, these may not be available at all Lowe's or Home Depot store locations.

As a precaution - DO NOT USE ALL PURPOSE GLUE STICKS. They will not hold the weight of the shampoo shelf.

To purchase glue sticks from AIM Supply, contact them at 800.999.0125 or aimsupply.com.