

Installation Instructions for Mincey Marble Manufacturing's Brunswick Bypass Shower Enclosures

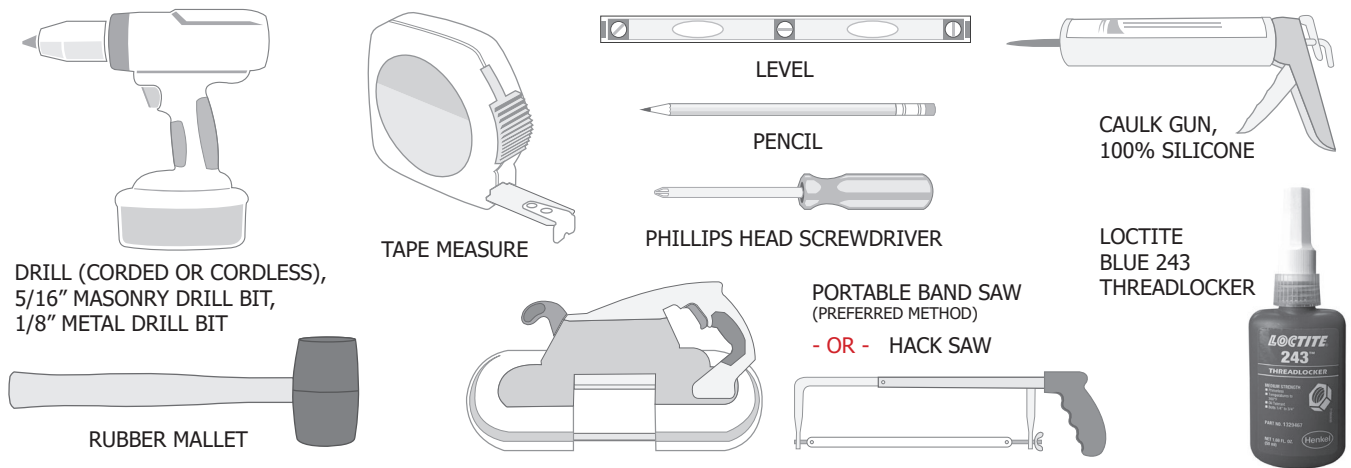
MATERIALS / TOOLS NEEDED CHECKLIST
PRE-INSTALLATION PIECES / PARTS LIST
ENCLOSURE SYSTEM INSTALLATION

ATTENTION: Prior to starting the installation, please read through these instructions. This will help avoid any unnecessary breakage. Any breakage due to handling or installing this enclosure system is the responsibility of the installer and is not covered under the Mincey Warranty. The Warranty will be voided if included hardware is not used during installation. Mincey recommends that two people are used to install this shower enclosure system due to the weight and fragility of the glass panels. Mincey also recommends that you protect the glass, especially the bottoms, and shower pan during installation. If your doors have frosted glass, the frosted side of the glass goes to the outside of the shower.

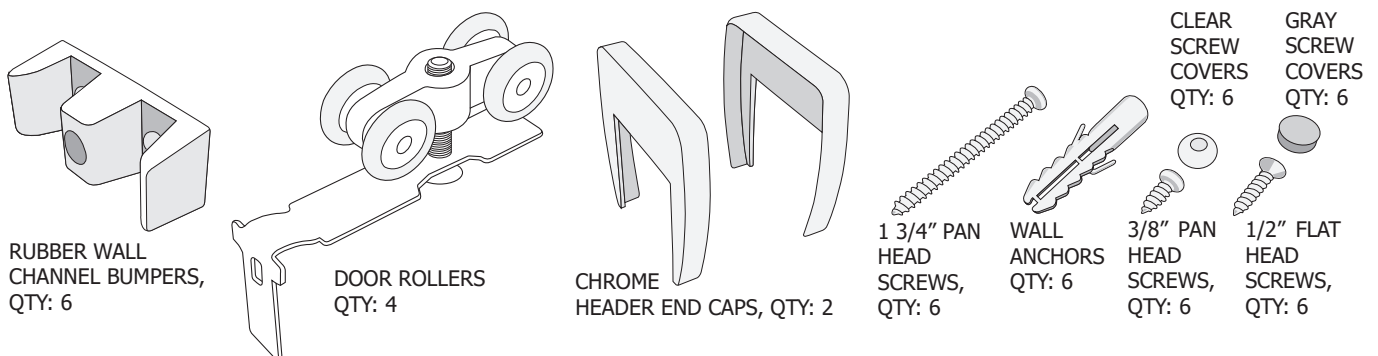
These installation instructions apply to the Mincey Brunswick Bypass Shower Enclosure System. In these instructions we are going to use an example with a 60" wide shower. All Drawings Are Not To Scale.

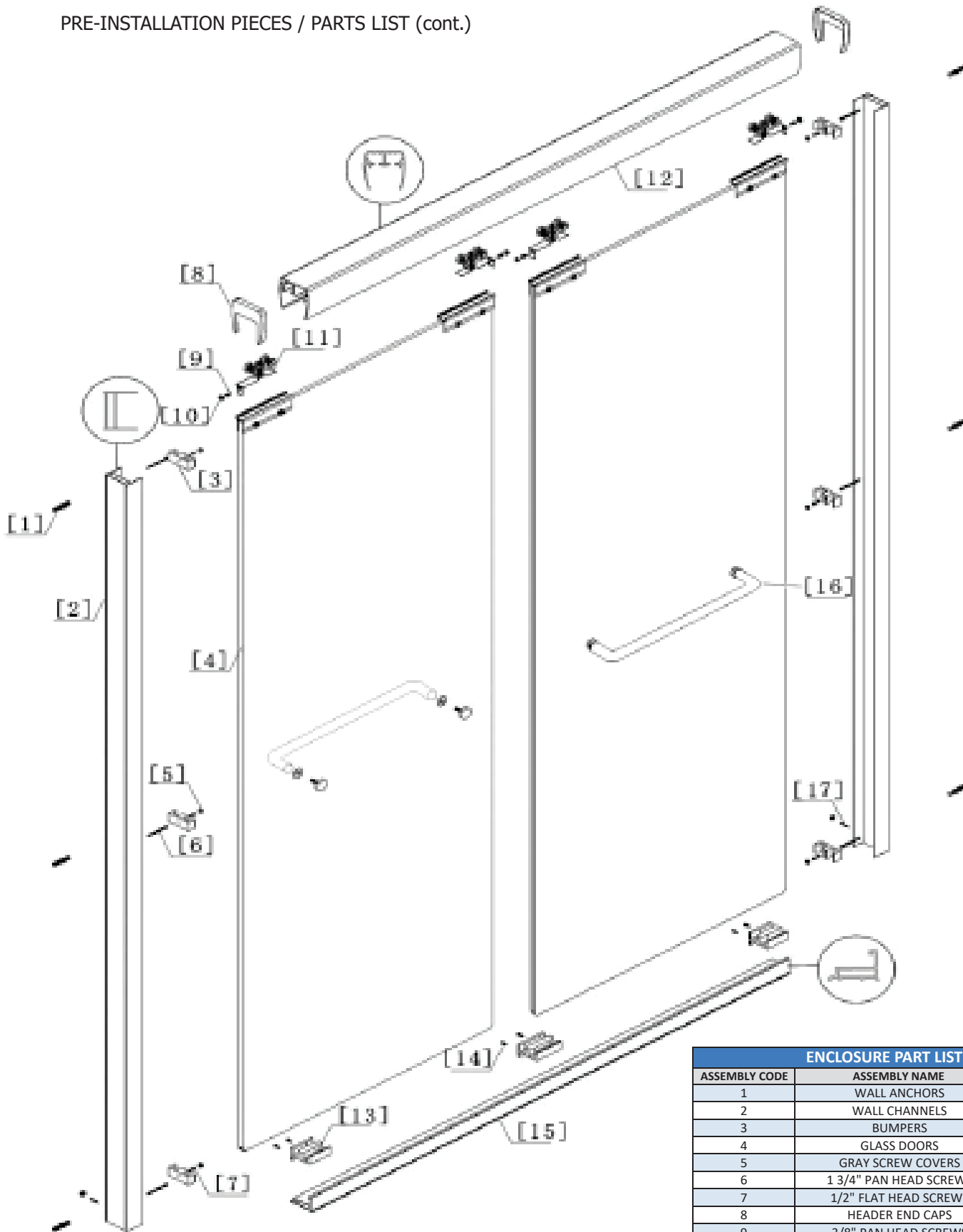
Start by uncrating the materials and confirm that all of the parts and pieces are present. The Required Tools are listed below. The contents of the Hardware Kit are listed below. The Parts Diagram is on the following page. Before you begin the installation, make sure that all of the pertinent surfaces are clean and free of dust, debris and any shavings. After you perform any drilling, you will want to make sure the surfaces are clean again - this includes the Shower Pan and the Shower Panel Walls.

MATERIALS / TOOLS NEEDED



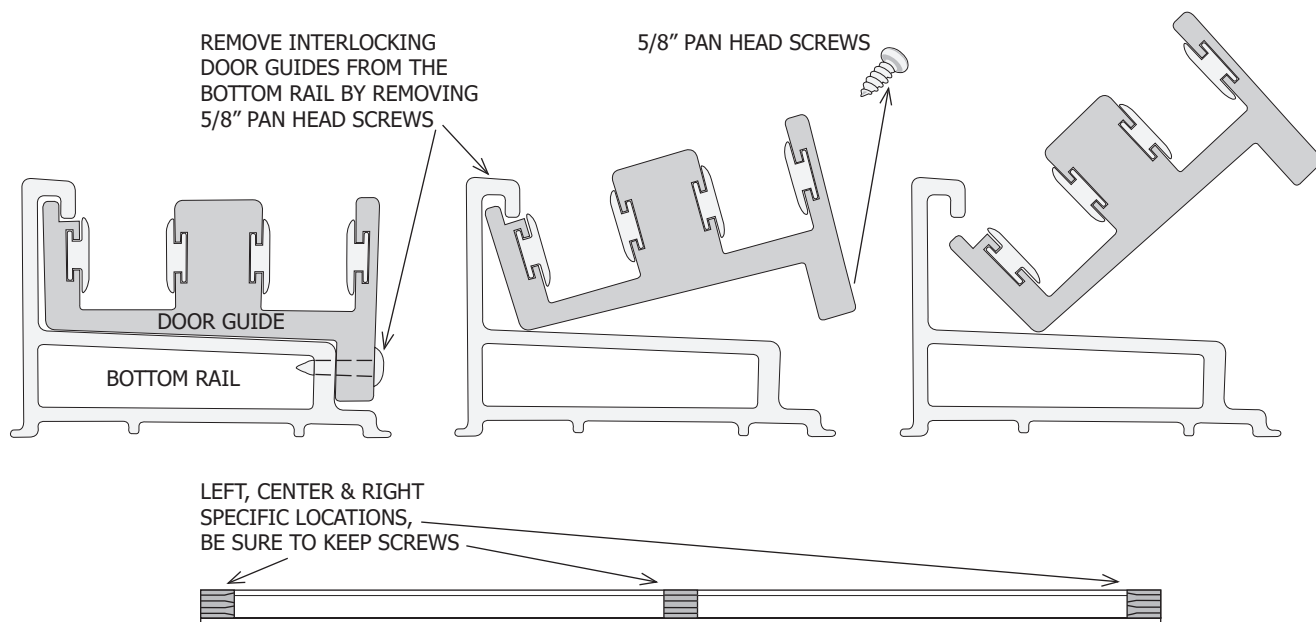
INCLUDED IN THE HARDWARE KIT





ENCLOSURE PART LIST KEY		
ASSEMBLY CODE	ASSEMBLY NAME	QTY
1	WALL ANCHORS	6
2	WALL CHANNELS	2
3	BUMPERS	6
4	GLASS DOORS	2
5	GRAY SCREW COVERS	6
6	1 3/4" PAN HEAD SCREWS	6
7	1/2" FLAT HEAD SCREWS	6
8	HEADER END CAPS	2
9	3/8" PAN HEAD SCREWS	4
10	CLEAR SCREW COVERS	10
11	ROLLERS	4
12	HEADER	1
13	DOOR GUIDES	1 SET OF 3
14	3/8" PAN HEAD SCREWS	6
15	BOTTOM RAIL	1
16	TOWEL BARS	2
17	3/8" PAN HEAD SCREWS	2

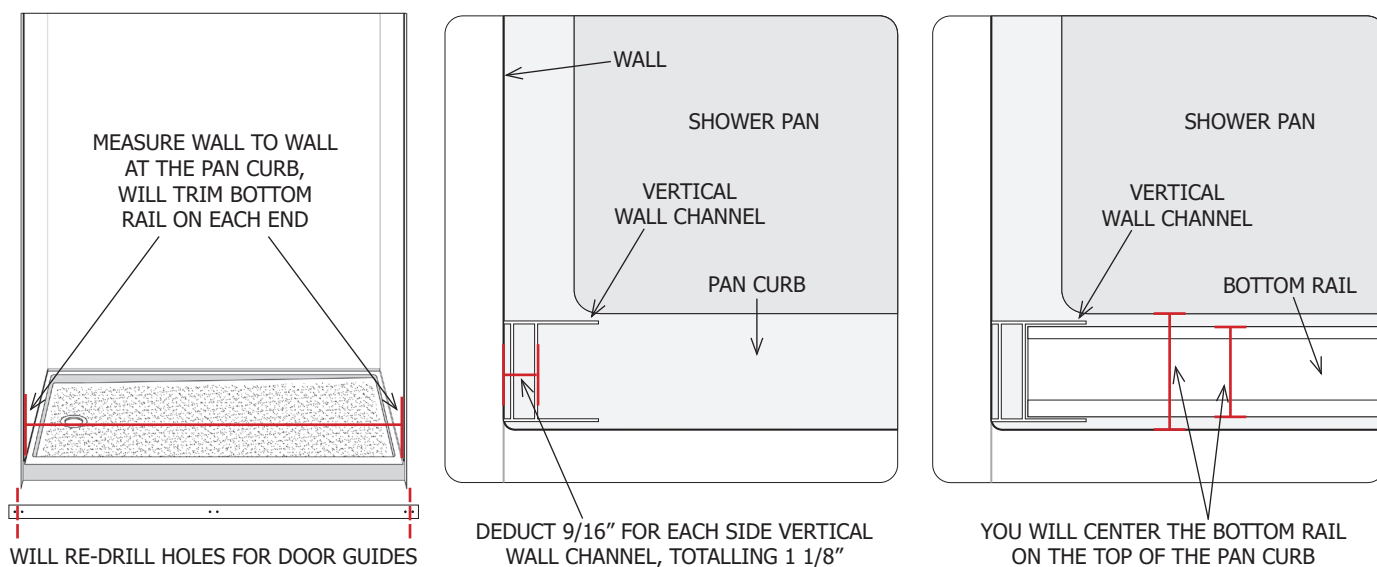
These instructions are to be followed assuming the Shower Pan is level and the Walls are plumb. After you have confirmed that all of the remaining parts and pieces are present, you are ready to begin by installing the BOTTOM RAIL first. Start by removing the three DOOR GUIDES from the BOTTOM RAIL in their Left, Center and Right designated locations. They will be re-installed near the end of the enclosure assembly completion. Be sure to keep up with the screws.



The example in these instructions will be using a 60" wide shower. Both the Bottom Rail and the Header will have to be trimmed to fit before they can be installed.

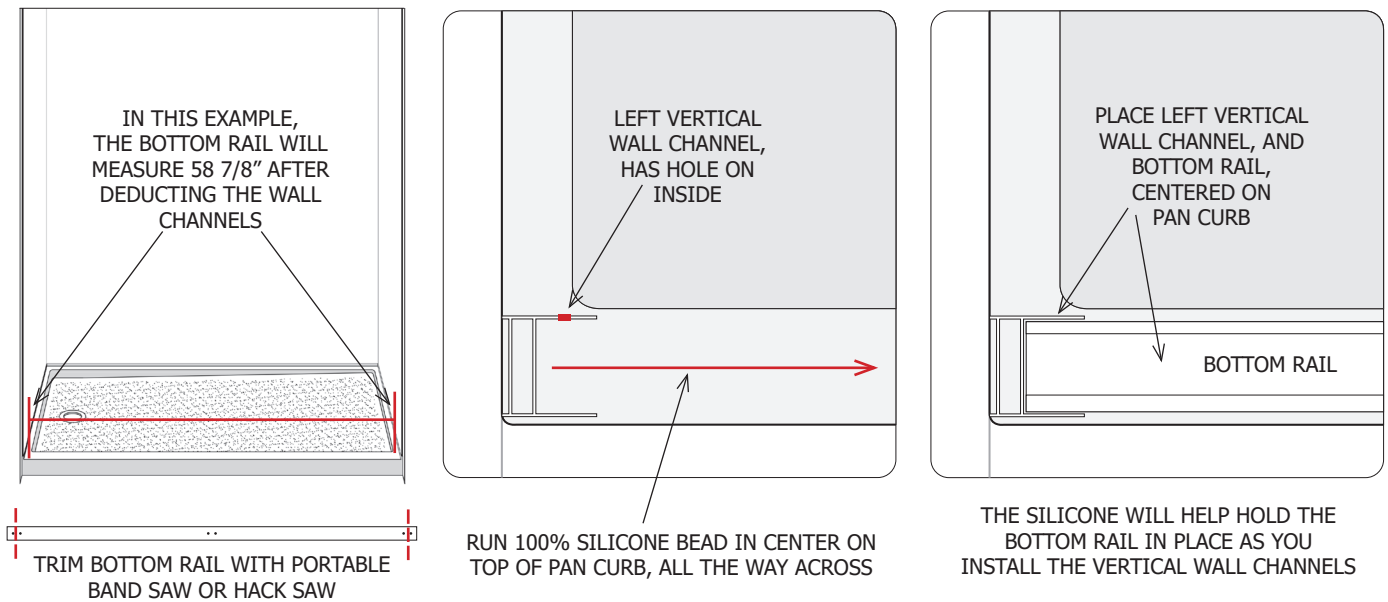
Begin by cleaning the surfaces of the Pan Curb and the Wall Panels. Measure the width between the Wall Panels on top of the Pan Curb. You will want to Center this measurement on the Bottom Rail by trimming equal amounts off of each end, using the Portable Band Saw or Hack Saw. Do not worry about the pre-drilled holes at both ends, you will be re-drilling and replacing those later when re-installing the End Door Guides.

You will need to subtract 1 1/8" off of the total measurement to be trimmed to allow for the width of the two Side Wall Channels. You will also want to Center the Bottom Rail on the Width of the Curb.

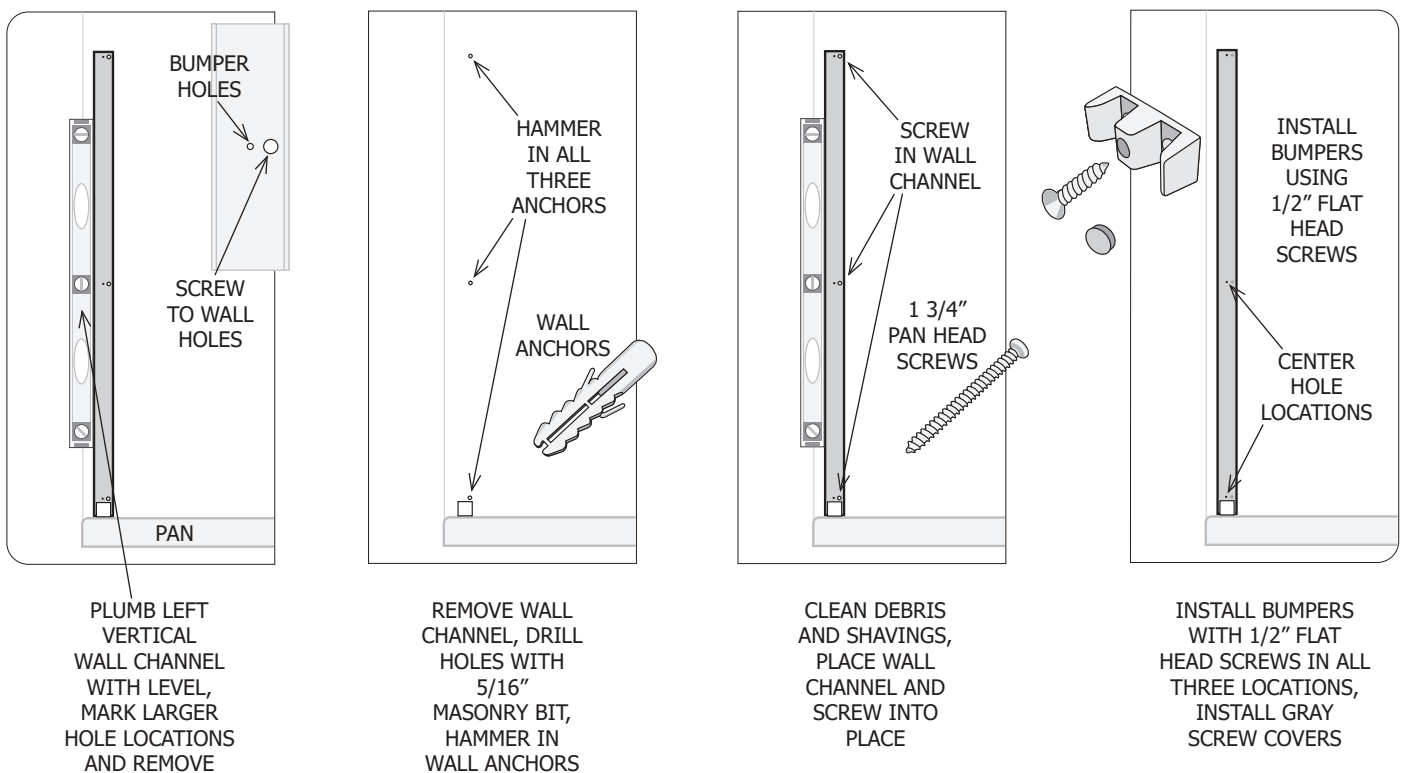


If you have any questions, please call MINCEY MARBLE CUSTOMER SERVICE at 770-532-0451

Run a thick bead of 100% Silicone on the center of the top of the Pan Curb. Place the LEFT VERTICAL WALL CHANNEL against the wall and place the BOTTOM RAIL on the Silicone bead. THE VERTICAL WALL CHANNELS are specific to each side - the LEFT and RIGHT side will have a screw hole to attach it to the BOTTOM RAIL on the Inside, towards the Shower Pan. The Silicone will help hold the BOTTOM RAIL in place while you are installing the WALL CHANNELS.

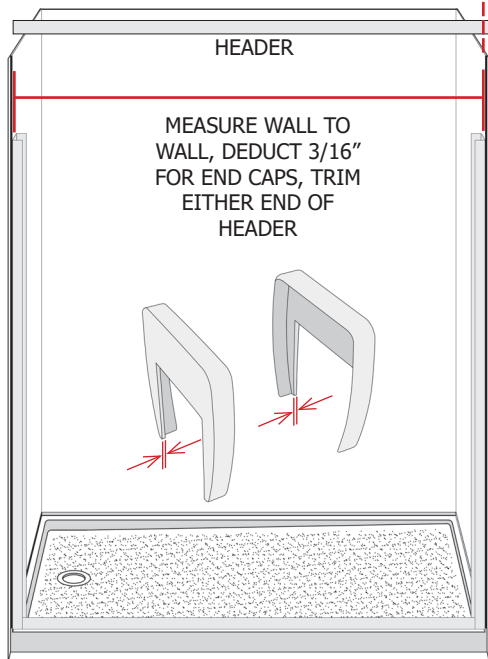


Use the Level to Plumb the LEFT VERTICAL WALL CHANNEL and Mark the Top, Center and Bottom Holes to be drilled. Remove the Wall Channel. Drill the holes using the 5/16" Masonry Bit. Hammer in the three Wall Anchors. Clean up any debris or shavings. Slide the Wall Channel over the Bottom Rail and install the Wall Channel using three 1 3/4" Pan Head Screws, making sure the Wall Channel is still Plumb. Install the three Left BUMPERS using the 1/2" Flat Head Screws and their gray screw covers. Repeat the process for the Right Vertical Wall Channel.



Next, you are going to measure and trim the HEADER. Measure from Wall to Wall right above the Vertical Wall Channels. Deduct $\frac{3}{16}$ " from that measurement to allow for the END CAPS. Trim the Header from either end using the Portable Band Saw or Hack Saw. It does not have to be centered.

It is recommended that two people are used for the next couple of steps, because of the difficulty of installing the Glass Doors without damaging them. First, carefully place the Glass Doors into the Shower - be sure to protect the Shower Pan and the Glass Doors, especially the bottoms.



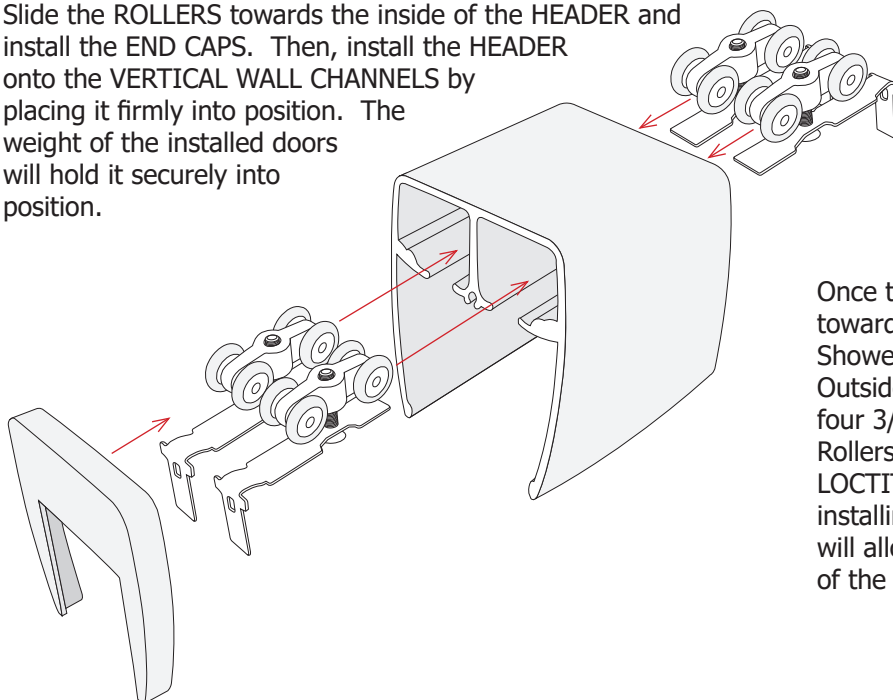
Before installing the Shower Doors, you are going to add LOCTITE BLUE 243 to the Adjustment Screws on the ROLLERS. Unscrew the Screws on all of the ROLLERS to where there is approximately a 1/4" recess. Apply a small drop of LOCTITE BLUE 243 into the recessed area. Adjust the screws on all four ROLLERS back up to where there is approximately 1/4" of the screw protruding. You are now ready to proceed.

UNSCREW UNTIL RECESSED 1/4", ADD LOCTITE, TIGHTEN BACK TO 1/4" PROTRUDING ON ALL FOUR ROLLERS



After applying LOCTITE to the ROLLER SCREWS, slide all four ROLLERS into the HEADER as shown below, with the SHOWER DOOR CONNECTING TABS positioned to the outside.

Slide the ROLLERS towards the inside of the HEADER and install the END CAPS. Then, install the HEADER onto the VERTICAL WALL CHANNELS by placing it firmly into position. The weight of the installed doors will hold it securely into position.

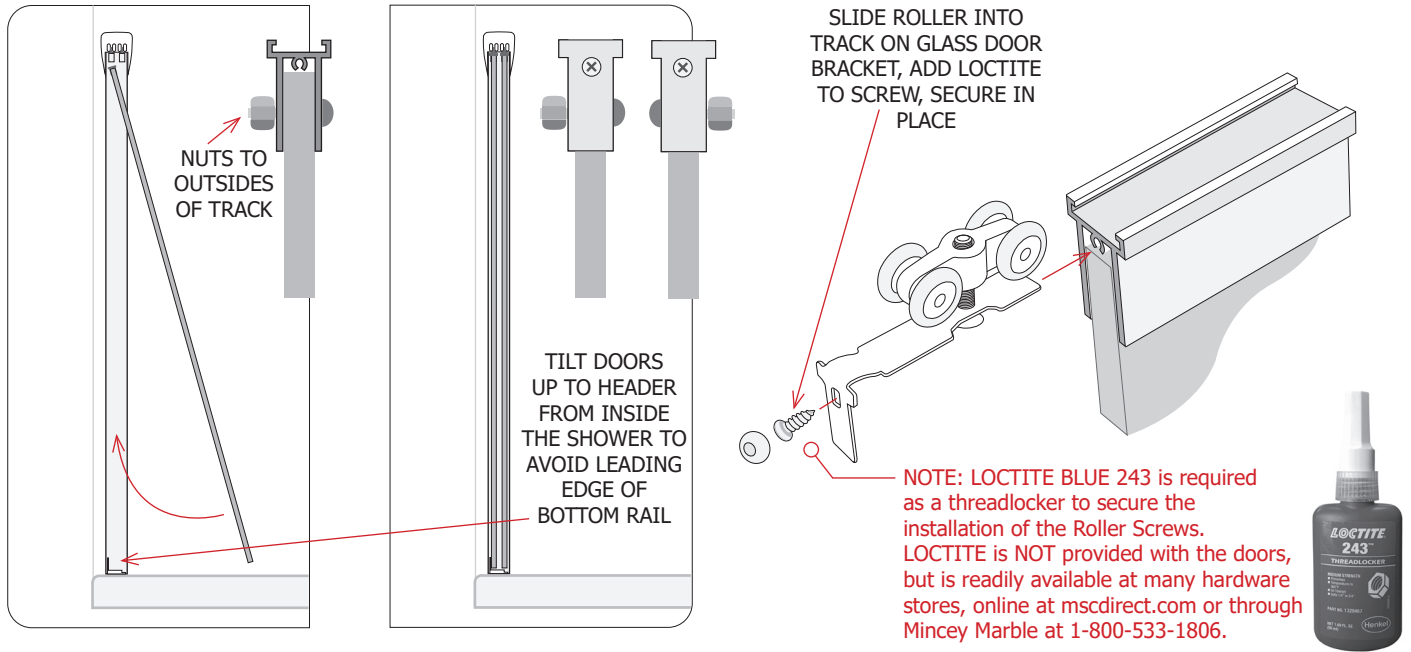


○ NOTE: LOCTITE BLUE 243 is required as a threadlocker to secure the installation of the Roller Screws. LOCTITE is NOT provided with the doors, but is readily available at many hardware stores, online at mscdirect.com or through Mincey Marble at 1-800-533-1806.

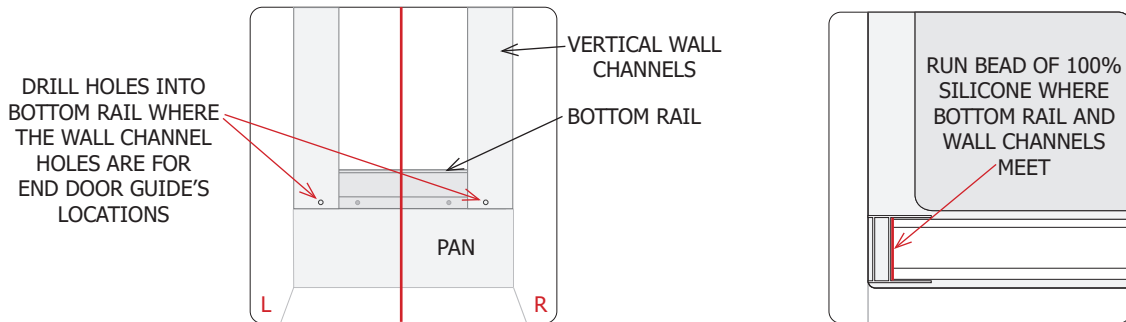
Once the Header is in place, slide the Rollers towards outside edges to make room for the Shower Doors. You will want to install the Outside Edge Shower Door first. You will use four 3/8" Pan Head Screws to connect the Rollers to the Glass Door Brackets, using LOCTITE BLUE 243 threadlocker when installing. The two Rollers on each end will allow for adjustment to align the heights of the Shower Doors properly.

Before you install the GLASS DOORS, take note that the Factory Installed Glass Door Bracket's Screw Heads will need to be to the INSIDE of the track and the Nuts will need to be to the OUTSIDE of the track for bypass clearance.

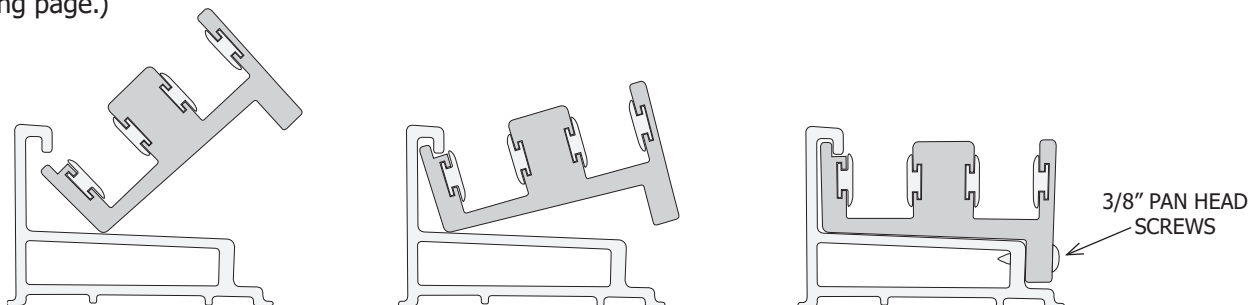
To install the GLASS DOORS, one person needs to be inside the Shower, tilting the GLASS DOOR up to the Header. The other person can then insert the ROLLERS into the GLASS DOOR BRACKETS. You will need to apply LOCTITE BLUE 243 threadlocker to the 5/16" Pan Head Screw before securing them into each side of the GLASS DOOR.

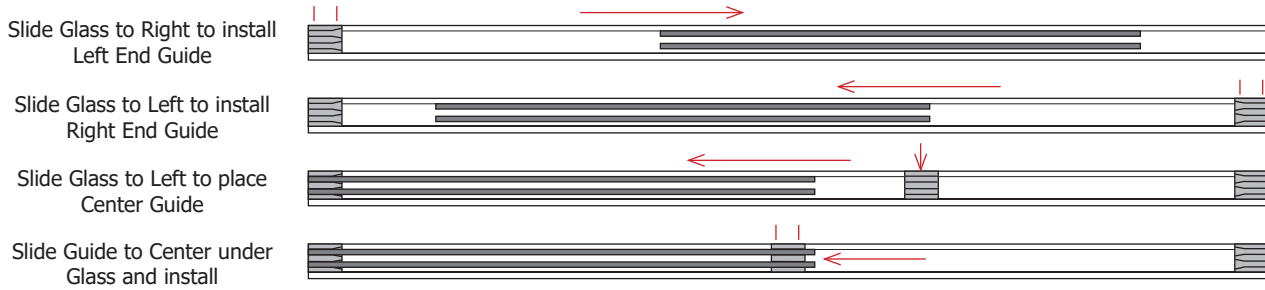


Next, you will need to drill a hole from the Vertical Wall Channel into the new location on the Bottom Rail where the two END DOOR GUIDES will be installed using a 1/8" Metal Drill Bit. After drilling the holes, clean up any debris or shavings. Then, you will run a bead of 100% Silicone where the Bottom Rail and the Vertical Wall Channels meet. You can then install the two END DOOR GUIDES.

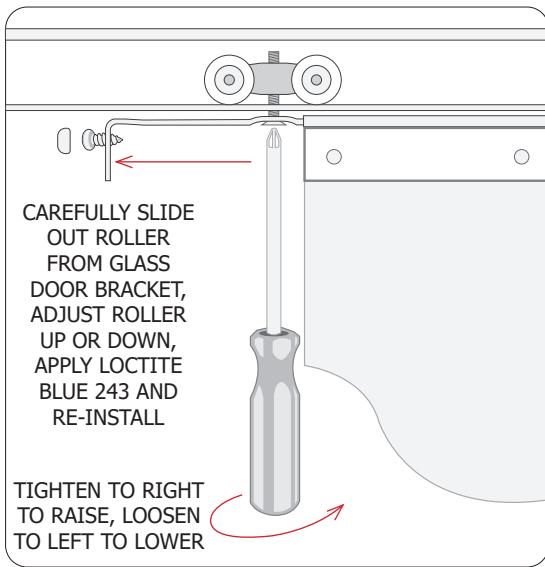


The DOOR GUIDES interlock into the Bottom Rail. Slide them back into the Bottom Rail as they were disassembled at the beginning of these instructions. Start with the two END DOOR GUIDES (refer to following page.)



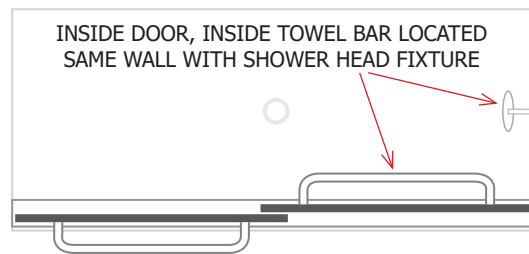


After you have installed the Door Guides, you will need to adjust the Glass Doors for proper alignment. You can adjust the doors Vertically by adjusting the SCREWS in the ROLLERS on each end of the doors. You make any adjustments by carefully sliding out the ROLLER from the Glass Door Bracket just enough to access the screw. You can raise the door by Tightening the Screw or Lower it by Loosening the Screw.



Proper alignment for the Shower Doors would be Flush to the Bumpers in the Side Vertical Wall Channels, hanging Level, above the Door Guides in the Bottom Rail without any interference when operating back and forth.

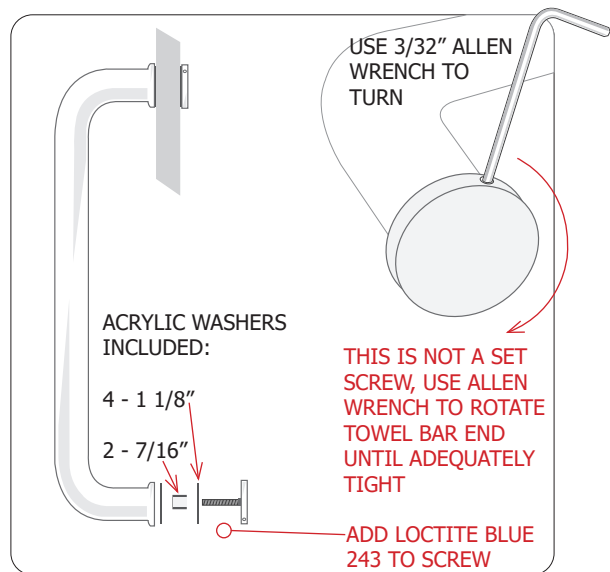
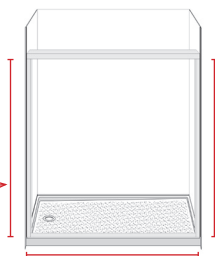
The Inside Door should be closed to the wall where the Shower Head Fixture is located. The Inside Door is where the Towel Bar / Handle will be mounted inside the shower.



Install the TOWEL BARS in the pre-cut holes in the GLASS DOORS. Be sure to tighten the TOWEL BAR ENDS with a 3/32" ALLEN WRENCH - the hole used for tightening is not a Set Screw, use the hole to rotate the end until extremely tight.

Lastly, apply a bead of 100% SILICONE on the INSIDE where the Curb meets the Pan and where the Wall Channels meet the Panels. Repeat the same process for the OUTSIDE of the Wall Channels and the Bottom Rail. **Must allow the Silicone to dry for 24 hours before any exposure to water or moisture.**

RUN A BEAD OF 100% SILICONE ON THE INSIDE AND OUTSIDE OF THE VERTICAL WALL CHANNELS AND BOTTOM RAIL, ALLOW 24 HOURS BEFORE EXPOSING TO ANY MOISTURE



THANK YOU FOR USING OUR MINCEY MARBLE PRODUCT! WE APPRECIATE YOUR BUSINESS!
If you have any questions, please call MINCEY MARBLE CUSTOMER SERVICE at 770-532-0451