

Installation Instructions for Mincey Marble Manufacturing's Brunswick Bow Front Shower Enclosures

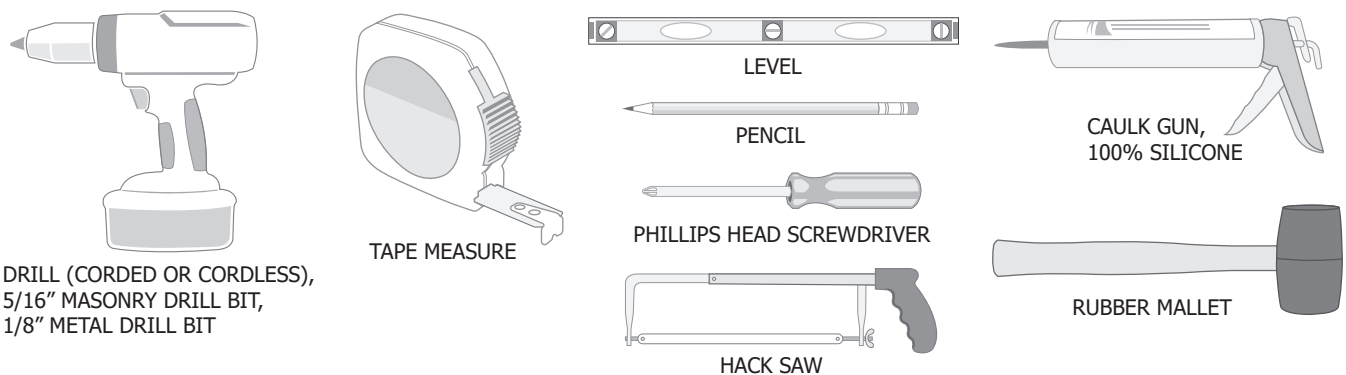
MATERIALS / TOOLS NEEDED CHECKLIST
PRE-INSTALLATION PIECES / PARTS LIST
ENCLOSURE SYSTEM INSTALLATION

ATTENTION: Prior to starting the installation, please read through these instructions. This will help avoid any unnecessary breakage. Any breakage due to handling or installing this enclosure system is the responsibility of the installer and is not covered under the Mincey Warranty. The Warranty will be voided if included hardware is not used during installation. Mincey recommends that two people are used to install this shower enclosure system due to the weight and fragility of the glass panels. Mincey also recommends that you protect the glass, especially the bottoms, and shower pan during installation.

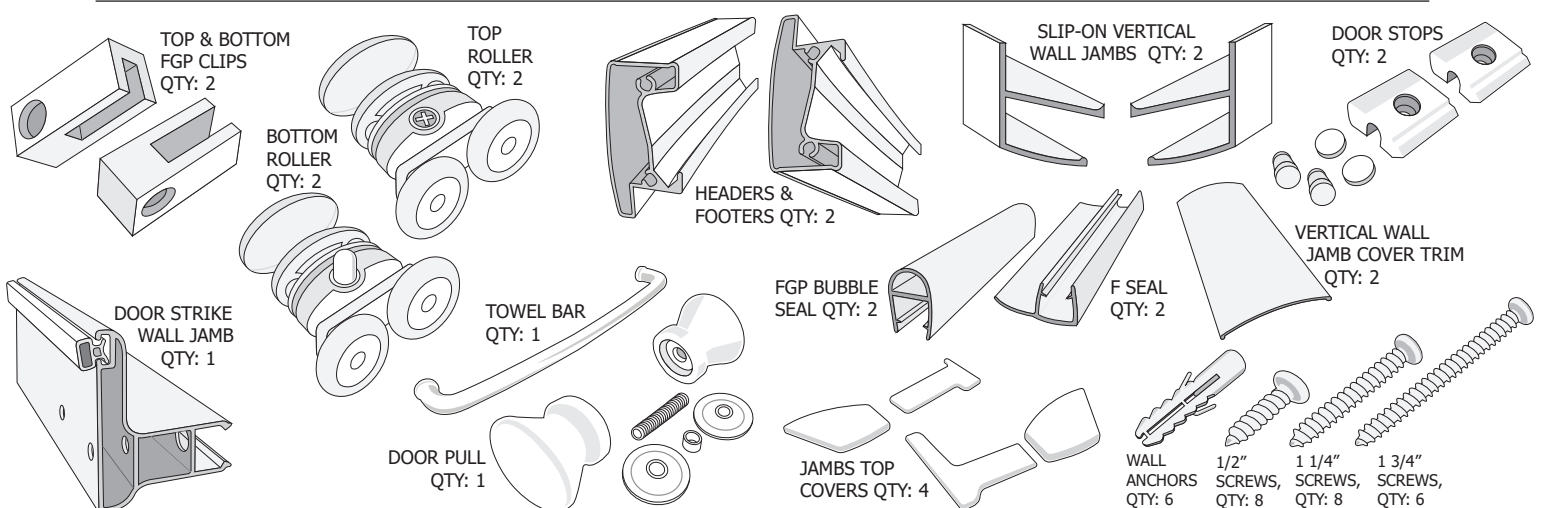
These installation instructions apply to the Mincey Brunswick Bow Front Shower Enclosure System. In these instructions we are going to use an example with a 60" wide shower with the door opening on the right.
All Drawings Are Not To Scale.

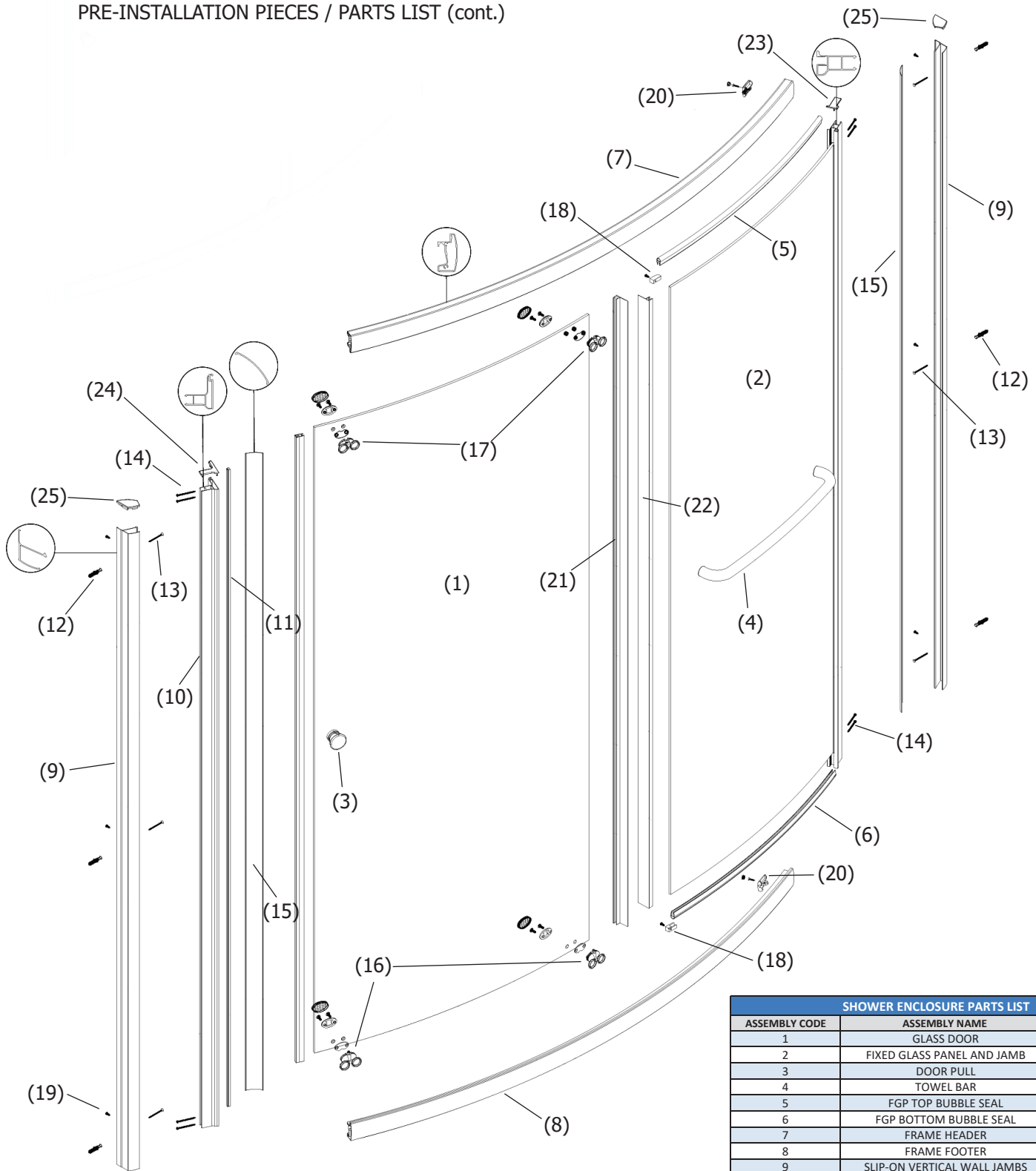
Start by uncrating the materials and confirm that all of the parts and pieces are present. The Required Tools are listed below. The contents of the Hardware Kit are listed below. The Parts Diagram is on the following page. Before you begin the installation, make sure that all of the pertinent surfaces are clean and free of dust, debris and any shavings. After you perform any drilling, you will want to make sure the surfaces are clean again - this includes the Shower Pan and the Shower Panel Walls.

MATERIALS / TOOLS NEEDED



INCLUDED WITH THE ENCLOSURE



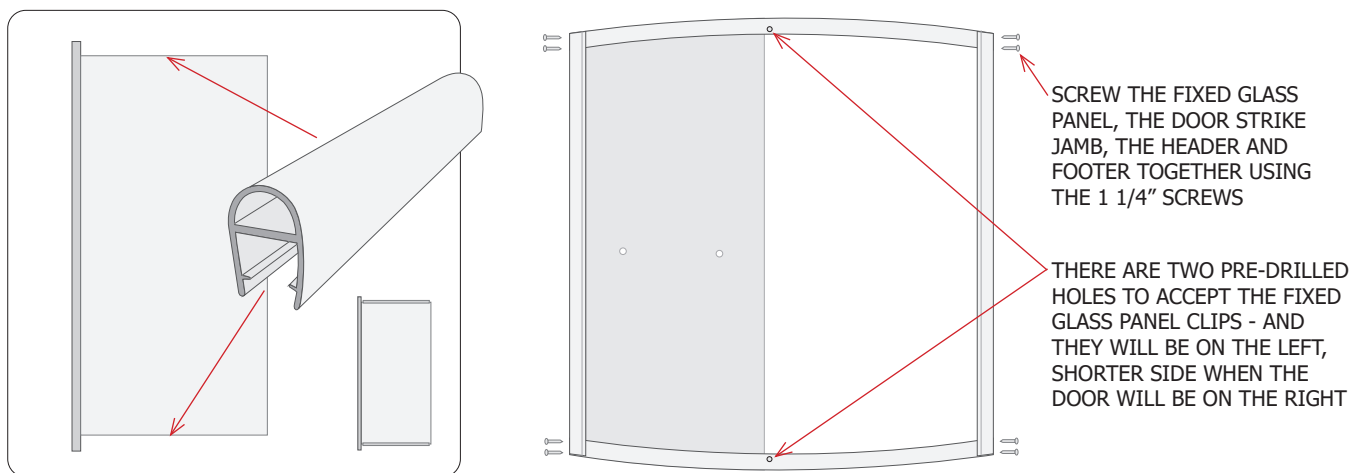


*This drawing shows an example where the Door is on the Left and the Fixed Glass Panel is on the Right. In the following instructions, the Door will be on the Right and the Fixed Glass Panel will be on the Left.

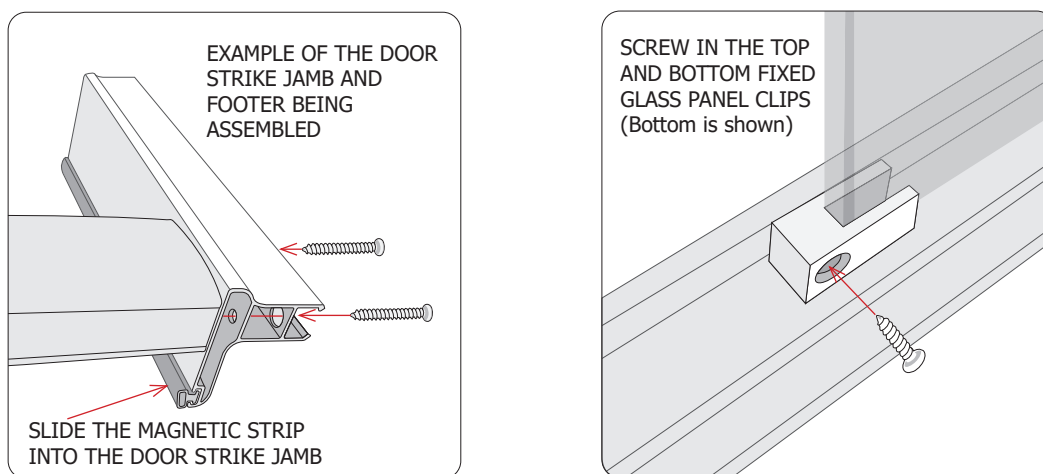
SHOWER ENCLOSURE PARTS LIST		
ASSEMBLY CODE	ASSEMBLY NAME	QTY
1	GLASS DOOR	1
2	FIXED GLASS PANEL AND JAMB	1
3	DOOR PULL	1
4	TOWEL BAR	1
5	FGP TOP BUBBLE SEAL	1
6	FGP BOTTOM BUBBLE SEAL	1
7	FRAME HEADER	1
8	FRAME FOOTER	1
9	SLIP-ON VERTICAL WALL JAMBS	2
10	DOOR STRIKE WALL JAMB	1
11	MAGNETIC SEAL	1
12	WALL ANCHORS	6
13	1 3/4" ROUND HEAD SCREWS	6
14	1 1/4" ROUND HEAD SCREWS	8
15	VERTICAL WALL JAMB COVER TRIM	2
16	BOTTOM ROLLERS WITH STUD	2
17	TOP ROLLERS	2
18	FGP CLIPS	2
19	1/2" ROUND HEAD SCREWS	8
20	DOOR STOPS	2
21	LONG F SEAL	1
22	SHORT F SEAL	1
23	FGP JAMB TOP COVER	1
24	DOOR STRIKE JAMB TOP COVER	1
25	SLIP-ON JAMBS TOP COVERS	2

These instructions are to be followed assuming the Shower Pan is level and the Walls are plumb. The work area should be clean of dust and debris. After you have confirmed that all of the remaining parts and pieces are present, you are ready to begin by assembling the Frame structure of the enclosure. It is best to assemble the Frame on the floor, and to use two people. The example in these instructions is a 58" wide shower, and the door opens on the right.

The Slip-on Vertical Wall Jamb are Reversible. The Header and Footer Frames are Reversible, however, they are pre-drilled to accept the Fixed Glass Panel, so it will need to be determined which side the Door will open on before the enclosure is to be assembled. In the example in these instructions, the Fixed Glass Panel will be on the Left and the Door will be on the Right.



Press the BUBBLE SEALS onto the Fixed Glass Panel on the TOP and BOTTOM. Slide the MAGNETIC STRIP into the Door Strike Jamb. Assemble the Door Frame by Screwing together the Fixed Glass Panel, the Door Strike Jamb, the Header and the Footer using the 1 1/4" screws. There are Two Pre-drilled holes to accept the Fixed Glass Panel Clips. **The holes will be located to the Left, Shorter side when the Door is to be installed on the Right.**

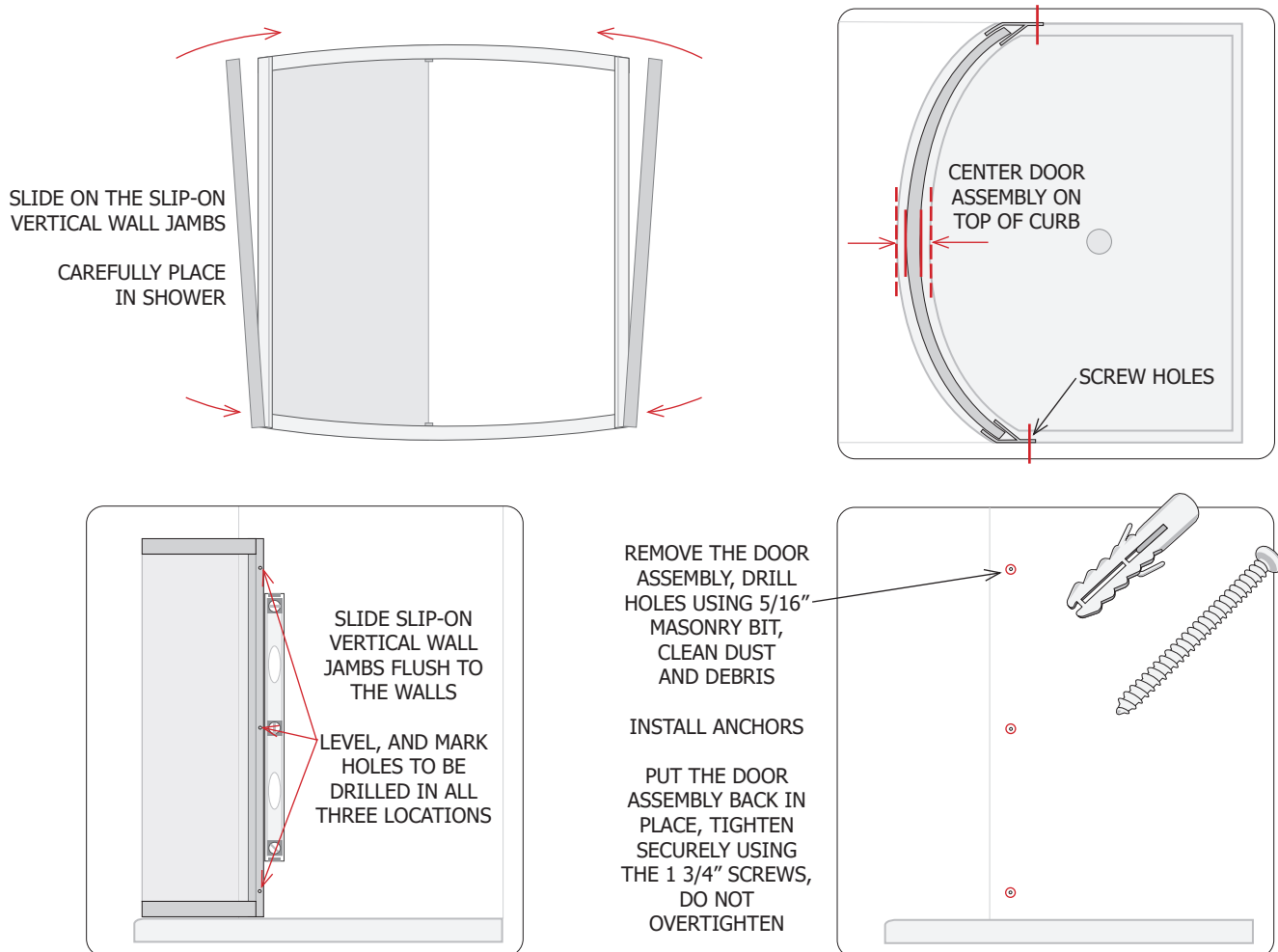


Screw in the TOP and BOTTOM Fixed Glass Panels Clips securely using the 1/2" screws. The Bubble Seals and the Clips will firmly hold the Fixed Glass Panel in place, though you will want to use extreme caution when moving the assembly around for the next few steps.

If you have any questions, please call MINCEY MARBLE CUSTOMER SERVICE at 770-532-0451

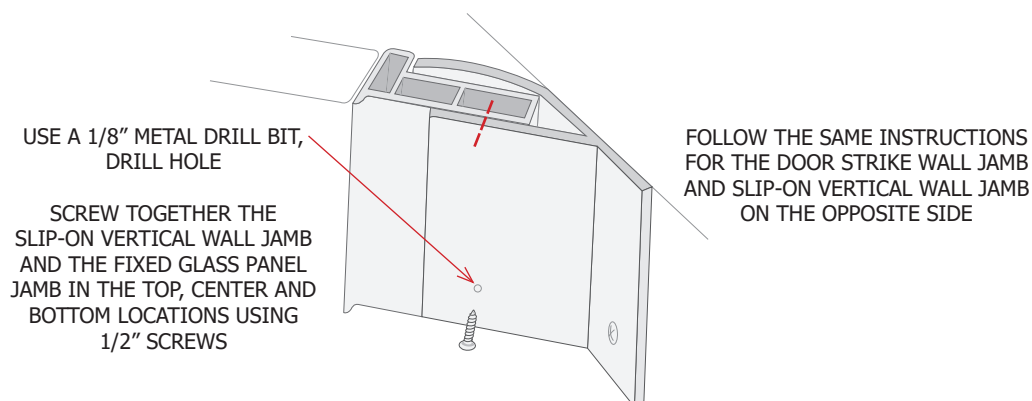
You are now ready to install the Slip-on Vertical Wall Jambs and place the enclosure into the shower. First, Slide the Vertical Wall Jambs onto the Fixed Glass Panel U Channel and the Door Strike Wall Jamb.

With both people assisting, carefully place the Shower Door Frame and Fixed Glass Panel onto the Shower Curb. CENTER the Enclosure on the Width of the Curb. Slide the Slip-on Vertical Wall Jambs flush to the walls. Use the LEVEL to Plumb up the Sides. Mark the holes to be drilled in the TOP, CENTER and BOTTOM locations.



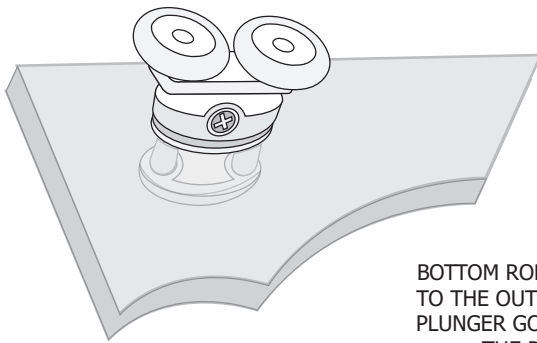
Once you have marked the holes to be drilled, remove the Door Assembly from the Shower. Using a 5/16" Masonry Bit, drill the three holes on each side. Clean up any dust and debris. Install the Wall Anchors.

Replace the Door Assembly and secure it in place using the 1 3/4" screws. **Do not overtighten.** Use a 1/8" Metal Drill Bit and tap Three Vertical Holes adjacent to the Wall Screws through the Slip-on Vertical Wall Jambs and into, **but not through**, the Wall Jambs on both sides. Screw the Jambs together using the 1/2" screws.

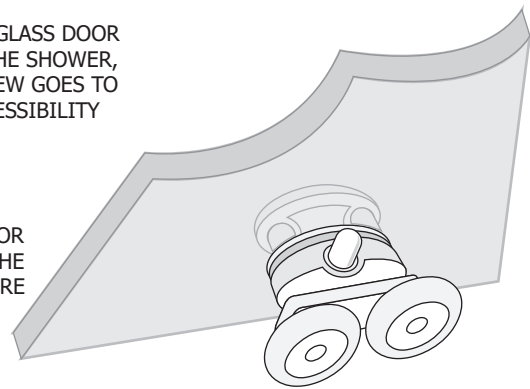


Next, you are going to prepare to install the Glass Door. First, you will install the ROLLERS onto the Glass Door. The TOP ROLLERS have an Adjustment Screw that goes to the bottom, so that it can be adjusted from the bottom. The BOTTOM ROLLERS WITH STUDS will be installed on the bottom of the Glass Door with the collapsible plunger going to the top, to ensure that when properly adjusted, tension will help secure the door in place.

On which side of the Glass Door you install the ROLLERS depends on which side of the shower the door is located. In these instructions, the door is on the Right, opening to the Left. The Glass Door will be located on the Inside of the shower and the Fixed Glass Panel will be located on the Outside of the shower. Therefore, the ROLLERS will be installed on the Outside of the Glass Door.



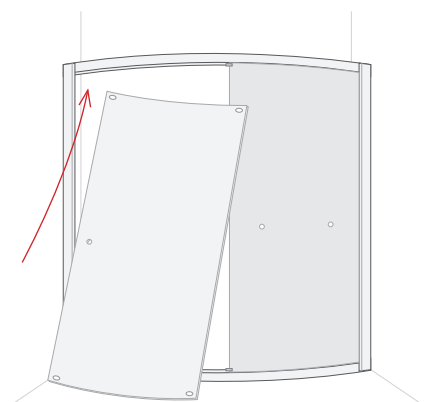
TOP ROLLERS ON THE GLASS DOOR TO THE OUTSIDE OF THE SHOWER, THE ADJUSTMENT SCREW GOES TO THE BOTTOM FOR ACCESSIBILITY



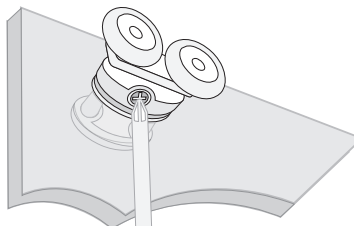
BOTTOM ROLLERS ON THE GLASS DOOR TO THE OUTSIDE OF THE SHOWER, THE PLUNGER GOES TO THE TOP TO SECURE THE DOOR WITH TENSION

When the Rollers have been installed, place the Glass Door inside the Shower. To install the Glass Door, TILT the Door into the TRACK of the Top Header, PRESS the PLUNGERS on the Bottom Rollers and pop the door into the TRACK of the Bottom Header.

You will want to adjust the Bottom Screws on the Top Rollers to make sure the Glass Door fits Flush with the Door Strike Wall Jamb. You do this by turning the Top Roller Screws - Clockwise to Lower the Door, and Counter-Clockwise to Raise the Door. **You will also want to Raise the Glass Door enough that there is tension on the Bottom Roller Plunger to help secure the Glass Door in the Tracks.** Make sure the Glass Door closes securely against the Magnetic Strip of the Door Strike Wall Jamb when closed.

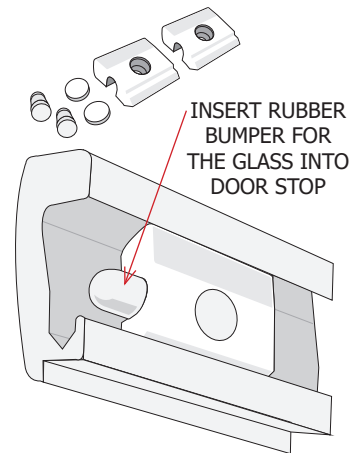


TILT DOOR AND PLACE TOP ROLLERS INTO THE TOP HEADER TRACK, PRESS THE PLUNGERS ON THE BOTTOM ROLLERS AND SNAP INTO BOTTOM TRACK



ADJUST THE TOP ROLLER SCREWS TO ALIGN THE DOOR FLUSH WITH THE MAGNETIC STRIP OF THE DOOR STRIKE WALL JAMB

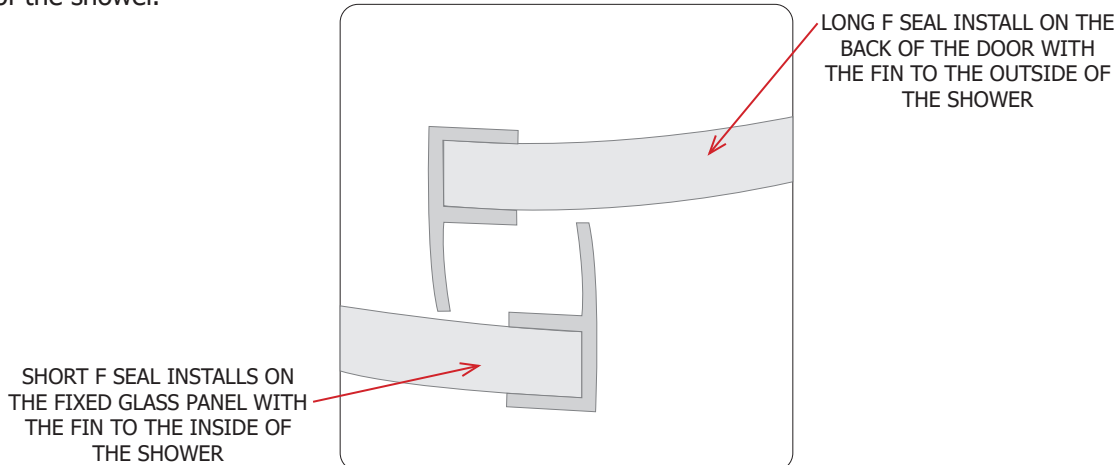
CLOCKWISE TO LOWER THE DOOR,
COUNTER-CLOCKWISE TO RAISE THE DOOR



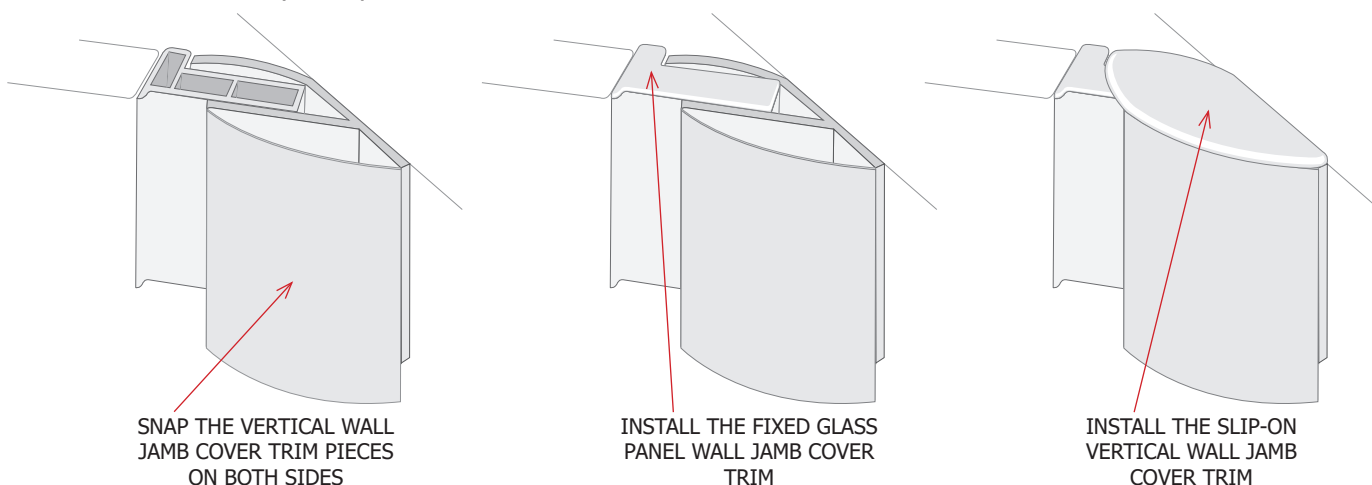
INSERT RUBBER BUMPER FOR THE GLASS INTO DOOR STOP

SECURE DOOR STOPS TO HEADER TO PROTECT THE DOOR FROM FULL RANGE OF MOTION

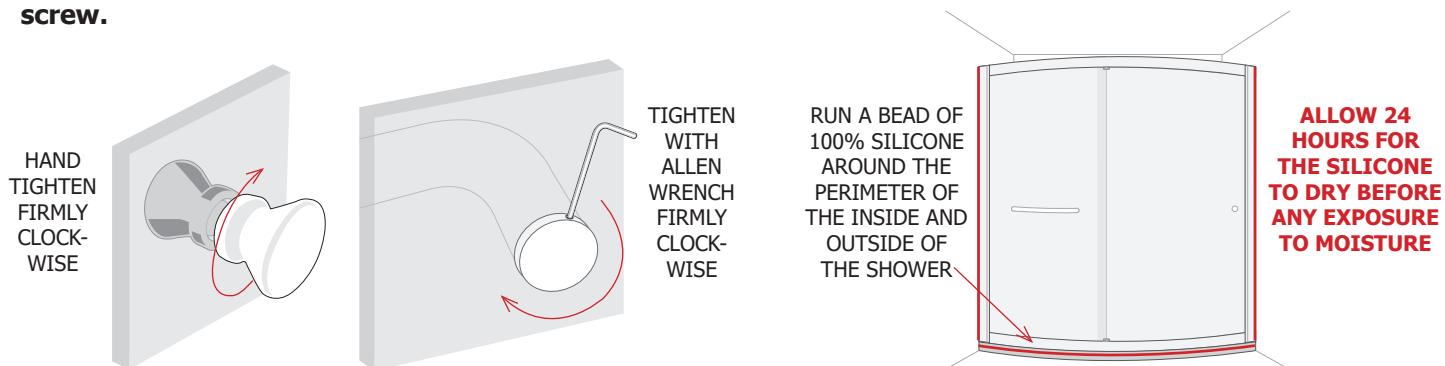
Next, install the LONG and SHORT F SEALS. The LONG F SEAL installs on the Back of the Glass Door with the FIN to the Outside of the shower. The SHORT F SEAL installs on the Fixed Glass Panel with the FIN to the Inside of the shower.



Next, install the two VERTICAL WALL JAMB COVER TRIM by snapping them in place to cover the wall screws. Then, install the TOP CORNER PIECES for the Wall Jamb. The example below shows the Fixed Glass Panel Wall Jamb covers being installed. Install the JAMB COVER first, then the COVER for the SLIP-ON VERTICAL WALL JAMBS. They are specific to each side - the Door Strike Wall Jamb and the Fixed Glass Panel Wall Jamb.



Next, install the DOOR PULL and the TOWEL BAR. The DOOR PULL simply tightens by hand, firmly. **Make sure the PLASTIC SCREW SLEEVE is present to protect the Glass Door from the assembly screw.** Mount and tighten the TOWEL BAR by using an Allen Wrench to rotate the end clockwise until firmly tight. **Make sure the PLASTIC SCREW SLEEVE is present to protect the Glass Door from the assembly screw.**



THANK YOU FOR USING OUR MINCEY MARBLE PRODUCT! WE APPRECIATE YOUR BUSINESS!
 If you have any questions, please call MINCEY MARBLE CUSTOMER SERVICE at 770-532-0451