

Installation Instructions for Mincey Marble Manufacturing's Arezzo Bypass Barn Door Shower Enclosures

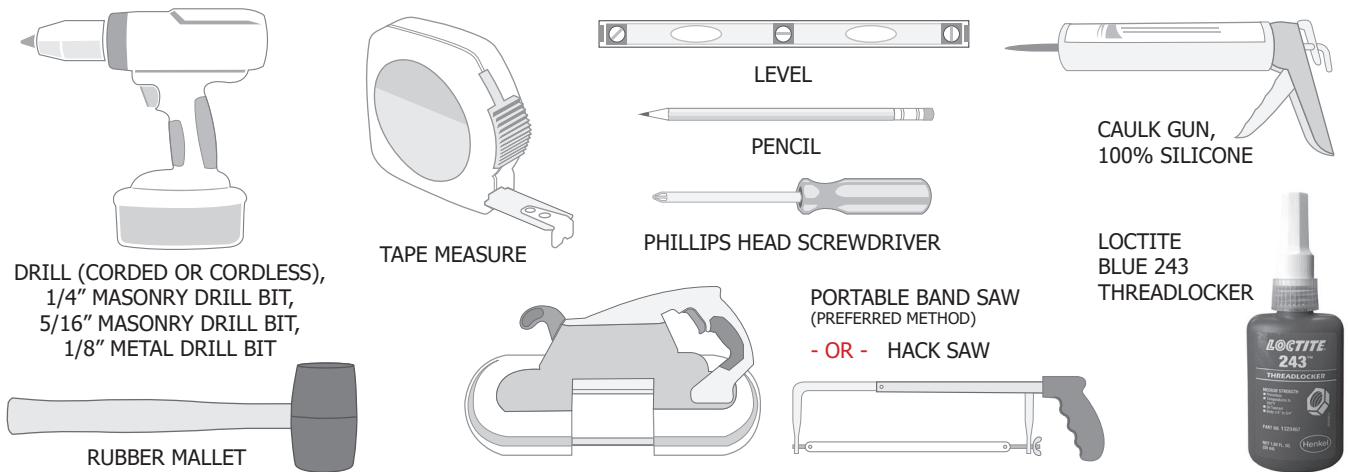
MATERIALS / TOOLS NEEDED CHECKLIST
PRE-INSTALLATION PIECES / PARTS LIST
ENCLOSURE SYSTEM INSTALLATION

ATTENTION: Prior to starting the installation, please read through these instructions. This will help avoid any unnecessary breakage. Any breakage due to handling or installing this enclosure system is the responsibility of the installer and is not covered under the Mincey Warranty. The Warranty will be voided if included hardware is not used during installation. Mincey recommends that two people are used to install this shower enclosure system due to the weight and fragility of the glass panels. Mincey also recommends that you protect the glass, especially the bottoms, and the shower pan during installation. If your doors have frosted glass, the frosted side of the glass goes to the outside of the shower.

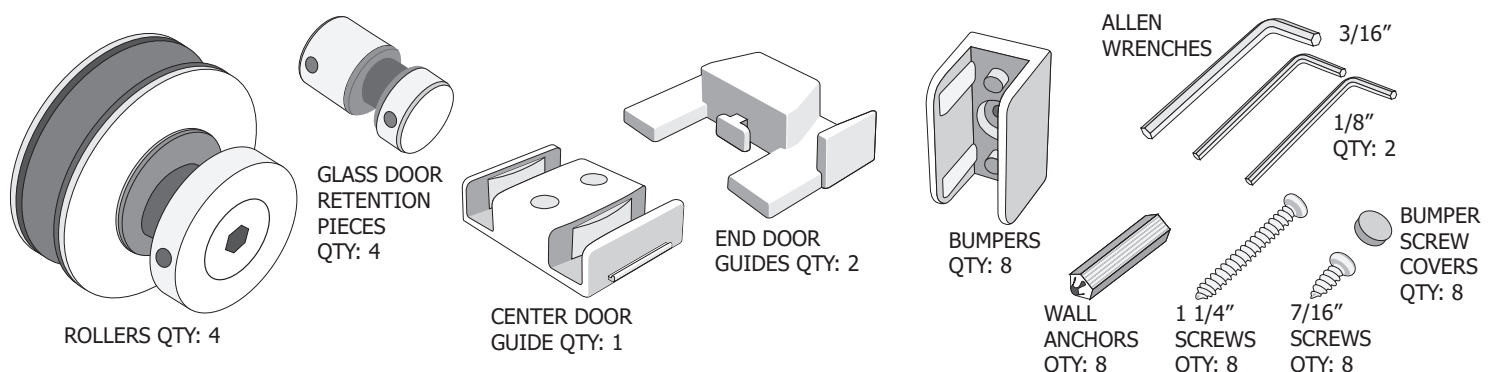
These installation instructions apply to the Mincey Arezzo Bypass Barn Door Shower Enclosure System. In these instructions we are going to use an example with a 60" wide shower. All Drawings Are Not To Scale.

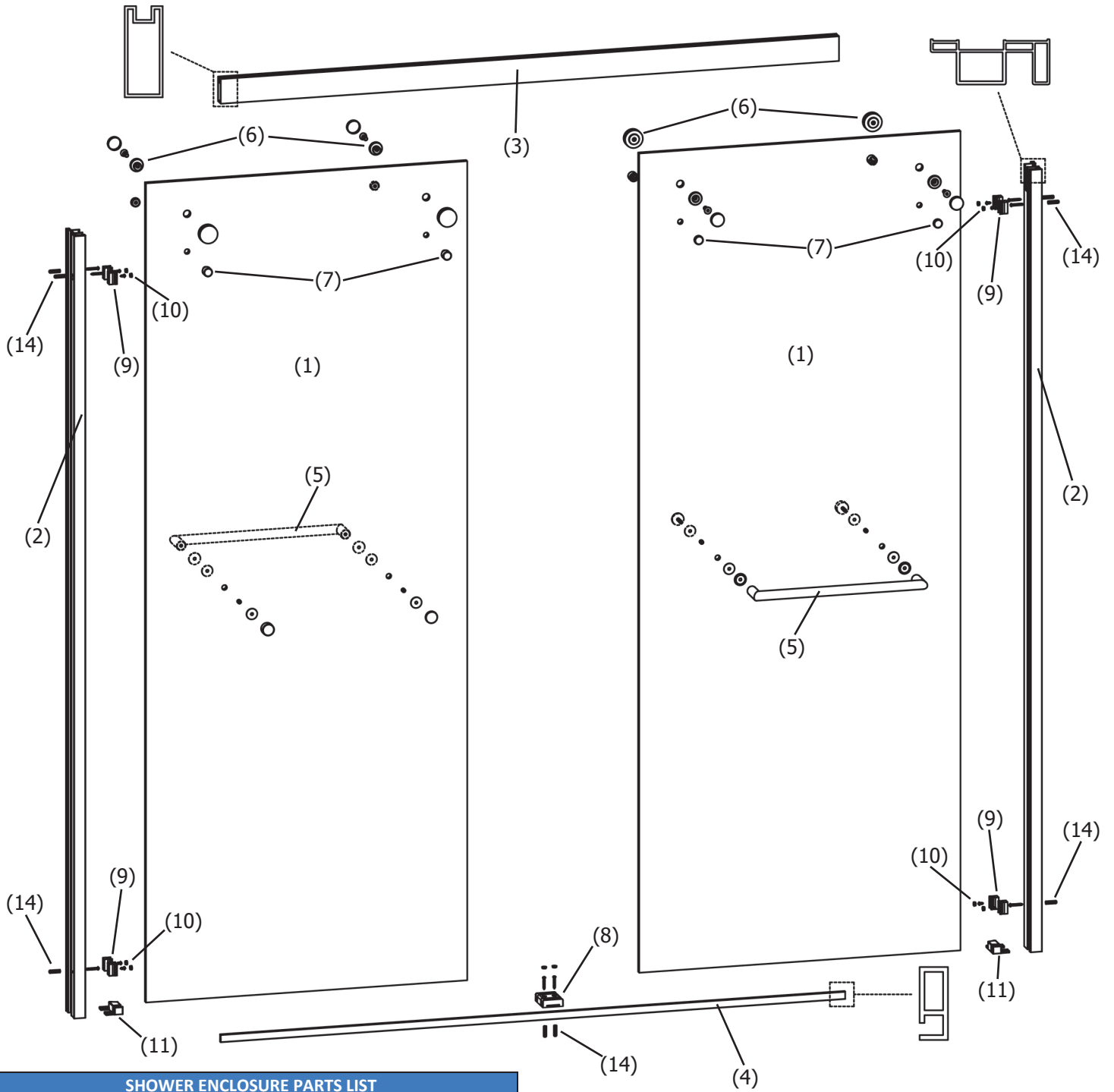
Uncrate all of the materials and confirm that all of the parts and pieces are present. The Required Tools are listed below. The contents of the Hardware Kit are listed below. The Parts Diagram is on the following page. Before you begin the installation, make sure that all of the pertinent surfaces are clean and free of dust, debris and any shavings. After you perform any drilling, you will want to make sure the surfaces are clean again - this includes the Shower Pan and the Shower Panel Walls.

MATERIALS / TOOLS NEEDED



INCLUDED IN THE HARDWARE KIT



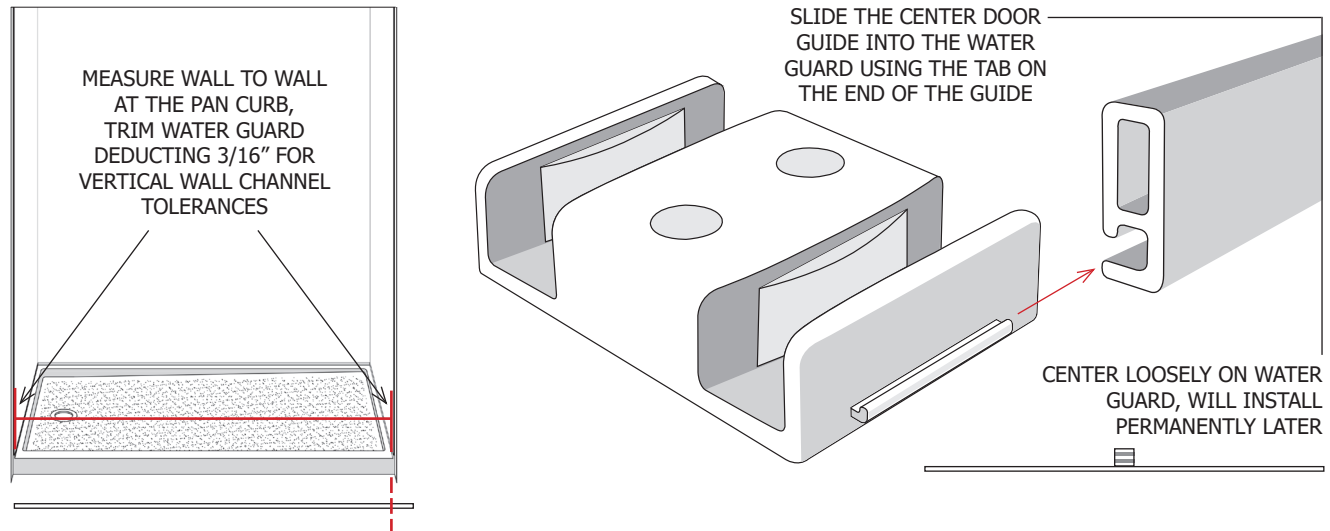


SHOWER ENCLOSURE PARTS LIST		
ASSEMBLY CODE	ASSEMBLY NAME	QTY
1	GLASS PANEL	2
2	VERTICAL WALL CHANNELS	2
3	GUIDE RAIL	1
4	WATER GUARD	1
5	TOWEL BARS	2
6	ROLLERS	4
7	DOOR PANEL RETENTION PIECE	4
8	DOOR GUIDE	1
9	BUMPERS	8
10	BUMPER SCREW CAPS	8
11	DOOR SIDE GUIDES	2
12	7/16" PAN HEAD SCREWS	8
13	1 1/4" PAN HEAD SCREWS	8
14	WALL ANCHORS	8

AREZZO BYPASS BARN DOOR ENCLOSURE SYSTEM INSTALLATION

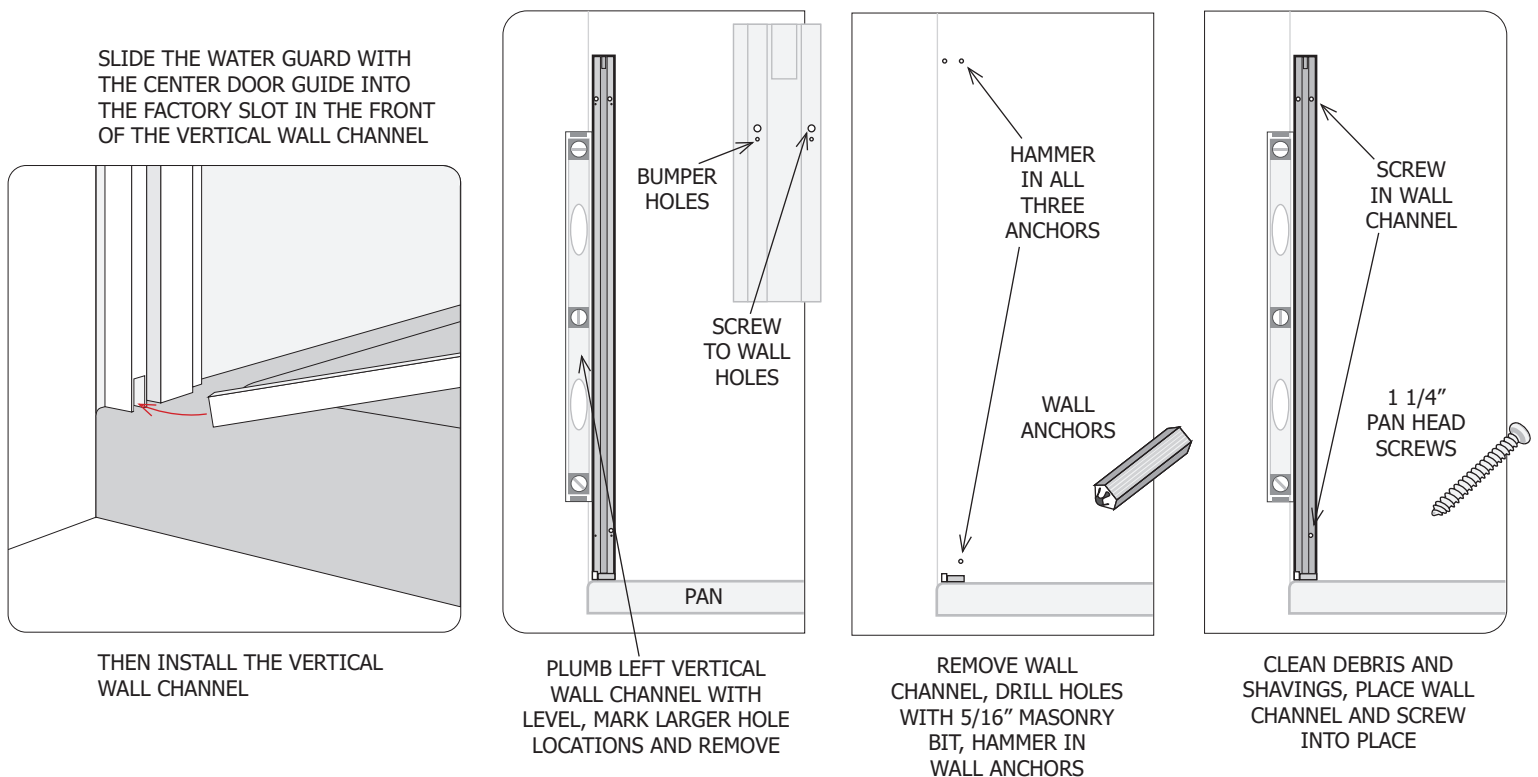
These instructions are to be followed assuming the Shower Pan is level and the Walls are plumb. After you have confirmed that all of the remaining parts and pieces are present, you are ready to begin by preparing to install the WATER GUARD first.

Start by measuring the distance between the Wall Panels just above the Shower Pan Curb, and deducting 3/16" tolerance for the Vertical Wall Channels. Trim the WATER GUARD using the Portable Band Saw or Hack Saw. The WATER GUARD can be trimmed from either end. Then, slide the CENTER DOOR GUIDE onto the WATER GUARD. You will center and install the Door Guide later.



Next, Mark and Drill the holes for the LEFT VERTICAL WALL CHANNEL making sure it is Plumb with the Level. Also, be sure to center the VERTICAL WALL CHANNEL on the Shower Pan Curb. Clean up any debris or shavings. Install the WALL ANCHORS in the Wall Panels in the three Top, Center and Bottom locations.

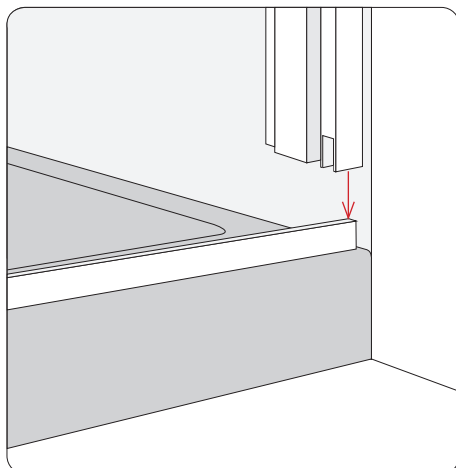
Place the WATER GUARD with CENTER DOOR GUIDE on the Top of the Curb. Install the LEFT VERTICAL WALL CHANNEL while sliding the WATER GUARD into the slot manufactured from the factory in the Front of the VERTICAL WALL CHANNEL.



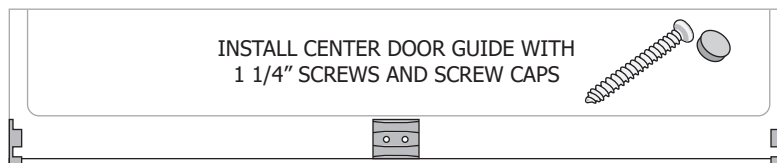
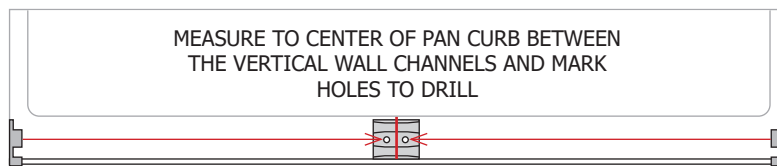
For the Right VERTICAL WALL CHANNEL, follow the same instructions as in the installation of the Left VERTICAL WALL CHANNEL.

Next, you will Center the CENTER DOOR GUIDE, and mark where to drill your holes. Slide the CENTER DOOR GUIDE to one side out of the way. Then, drill the holes on the Shower Pan Curb using a 1/4" Masonry Drill Bit. Clean up any debris or shavings. Fill the holes with 100% Silicone and push in the two PLASTIC ANCHORS, and wipe up any excess Silicone. Slide the CENTER DOOR GUIDE back into position and screw into place.

SLIDE THE RIGHT VERTICAL WALL CHANNEL WITH THE FACTORY SLOT INTO POSITION OVER THE WATER GUARD



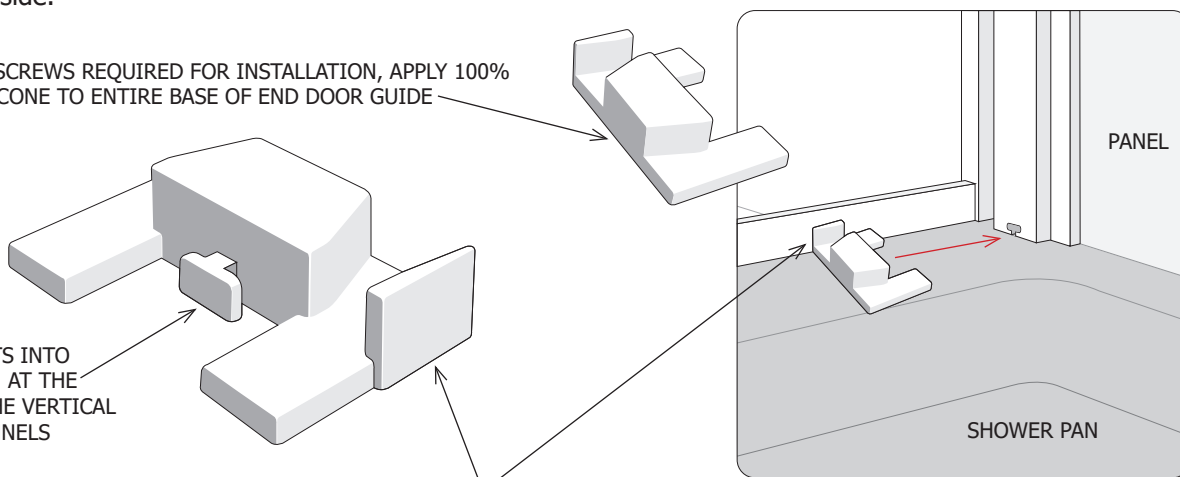
THEN INSTALL THE RIGHT VERTICAL WALL CHANNEL FOLLOWING THE SAME INSTRUCTIONS AS THE LEFT VERTICAL WALL CHANNEL



Now you can install the END DOOR GUIDES. The END DOOR GUIDES are LEFT and RIGHT specific. The SIDE TAB is located to the Shower FRONT of the GUIDE, and is to be installed with the SIDE TAB resting against the WATER GUARD. The END DOOR GUIDE also has a Center TAB on its backside that pushes into the Wall Channel. Install the END DOOR GUIDE by applying 100% Silicone to its entire base and pushing the Rear Tab into the Wall Channel and securing firmly in place. Repeat the process for the END DOOR GUIDE for the other side.

NO SCREWS REQUIRED FOR INSTALLATION, APPLY 100% SILICONE TO ENTIRE BASE OF END DOOR GUIDE

TAB INSERTS INTO THE NOTCH AT THE BASE OF THE VERTICAL WALL CHANNELS

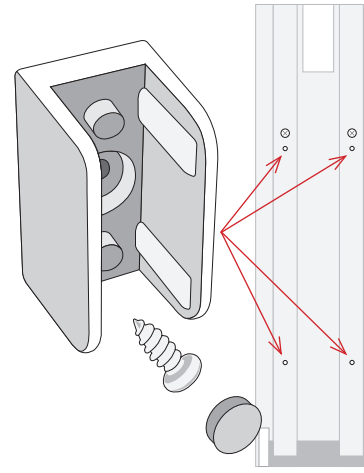


SIDE TAB RESTS AGAINST THE WATER GUARD, THIS END DOOR GUIDE IS FOR THE SIDE SHOWN IN THE GRAPHIC

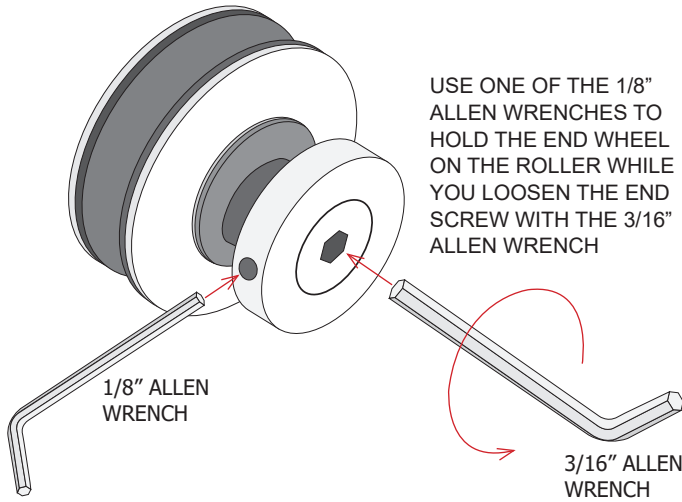
If you have any questions, please call MINCEY MARBLE CUSTOMER SERVICE at 770-532-0451.

AREZZO BYPASS BARN DOOR ENCLOSURE SYSTEM INSTALLATION (cont.)

Now you are ready to install the BUMPERS in the Vertical Wall Channels. There are four to each side; two at the top and two at the bottom, secured with a single, center 7/16" Screw and Screw Cap.

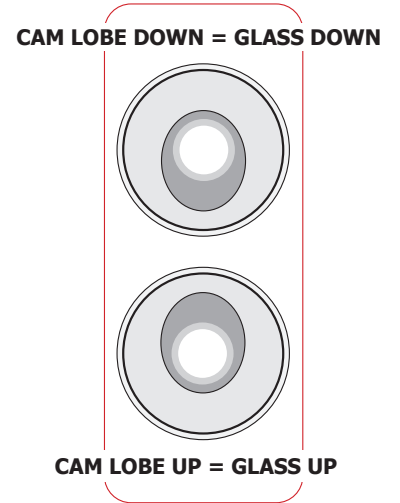
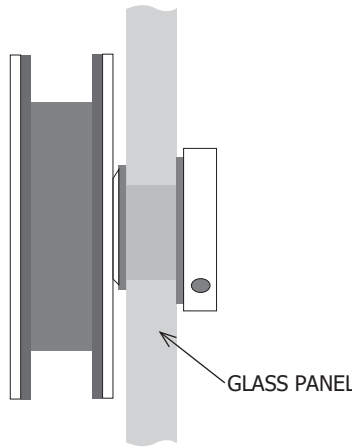
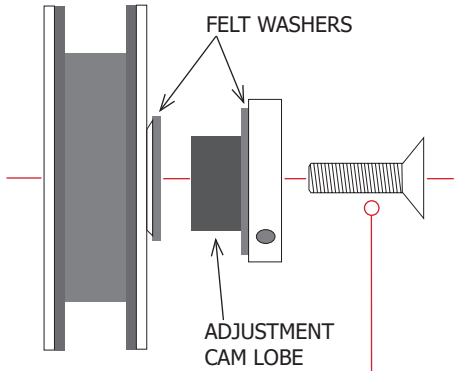


Next you will prepare to install the GLASS PANELS. Start by disassembling the ROLLERS and installing them onto the GLASS PANELS.



USE ONE OF THE 1/8" ALLEN WRENCHES TO HOLD THE END WHEEL ON THE ROLLER WHILE YOU LOOSEN THE END SCREW WITH THE 3/16" ALLEN WRENCH

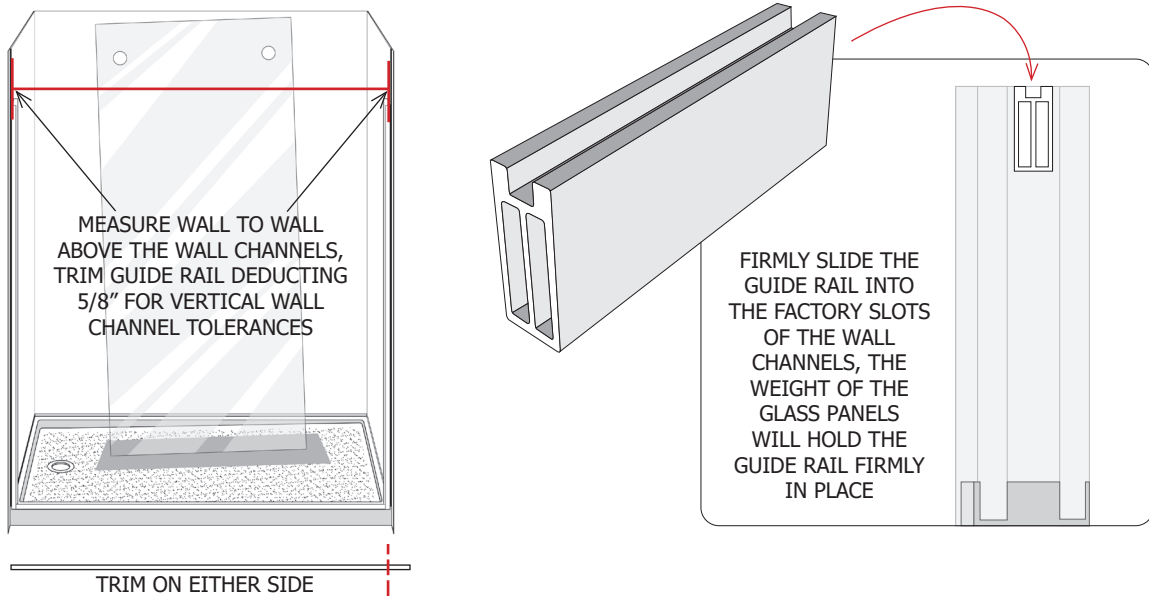
Install all of the ROLLERS into the Upper Holes in the GLASS PANELS with the CAM LOBE in the DOWN position, this will place the GLASS PANELS in the DOWN position as a baseline for starting the panel adjustments.



NOTE: LOCTITE BLUE 243 is required as a threadlocker to secure the installation of the Roller Screws. LOCTITE is NOT provided with the doors, but is readily available at many hardware stores, online at mscdirect.com or through Mincey Marble at 1-800-533-1806.

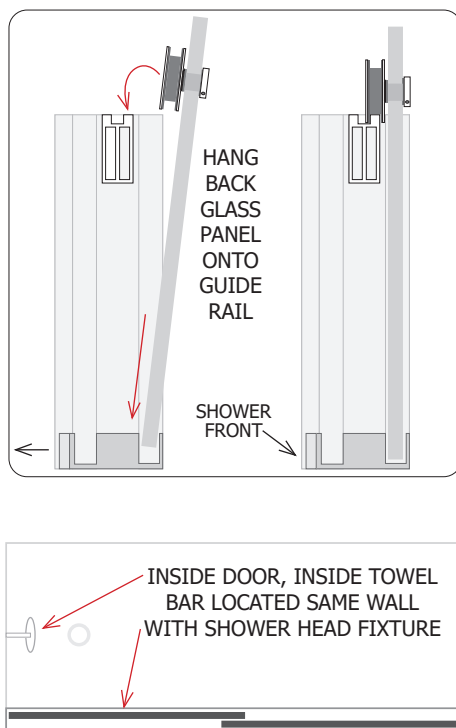
You are now ready to install the GUIDE RAIL. Before you install the GUIDE RAIL, it is recommended to place one of the GLASS PANELS inside the Shower with the ROLLERS facing outward. This will make it easier to install the Back Glass Panel after the GUIDE RAIL has been installed. Be sure to protect the bottom of the GLASS PANEL and the Shower Pan.

To install the GUIDE RAIL, begin by measuring between the panels right above the Vertical Wall Channels and deduct 5/8" for the Vertical Wall Channels tolerances. Trim the GUIDE RAIL using the Portable Band Saw or Hack Saw. Install the GUIDE RAIL by firmly placing in the factory slots in the Wall Channels with the "U" Channel on top. The Rollers will glide back and forth on the "U" Channel.

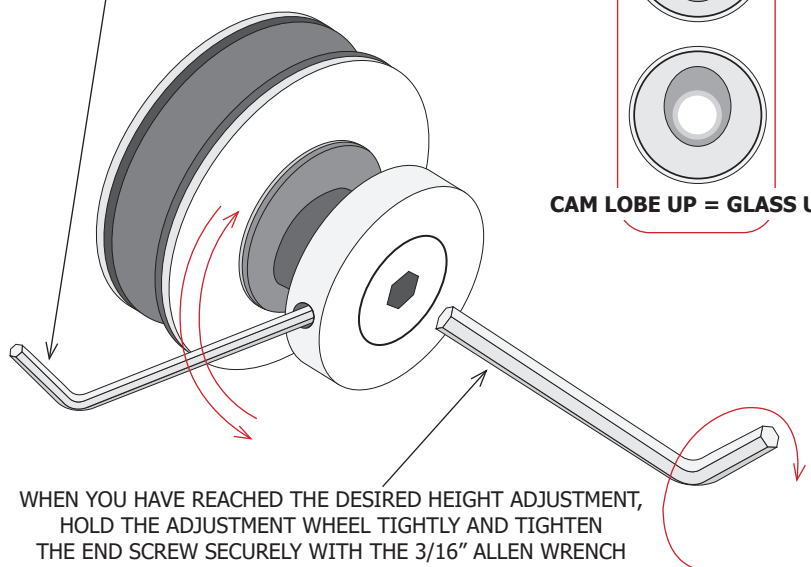
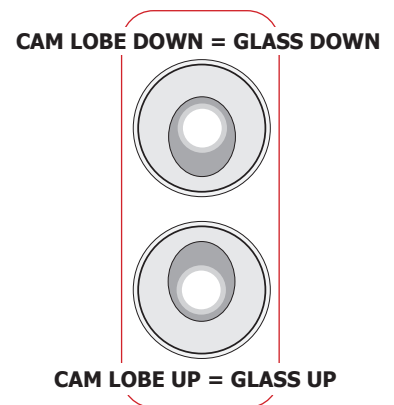


To install the GLASS PANELS, begin with the BACK GLASS PANEL that is already placed inside the Shower. Carefully align the bottom of the GLASS PANEL into the CENTER DOOR GUIDE located on the WATER GUARD as you hang the ROLLERS onto the GUIDE RAIL. Make sure the ROLLERS are facing out of the Shower on the Inside Panel.

Then, you will adjust the ROLLERS to align the Inside Door flush with the Vertical Wall Channel Bumpers where the Shower Head is located - in this example that will be the Left Side.

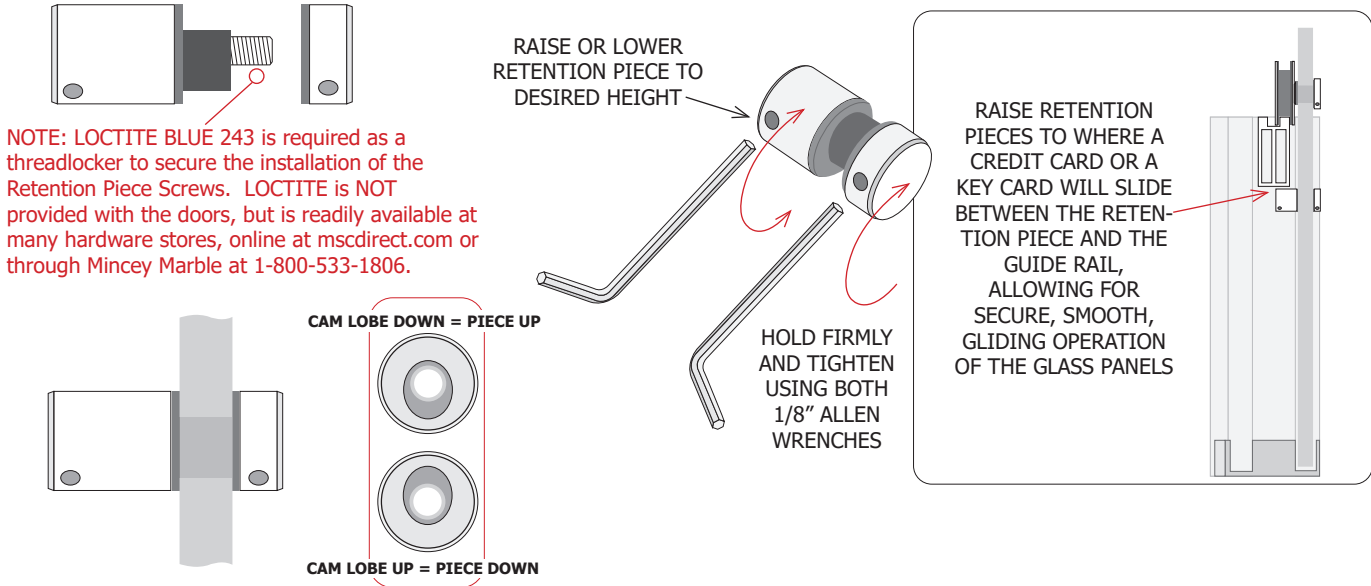


ROTATE THE ADJUSTMENT WHEEL BY USING AN 1/8" ALLEN WRENCH TO ADJUST THE GLASS PANEL UP OR DOWN TO MAKE SURE THE GLASS PANEL IS FLUSH TO THE VERTICAL WALL CHANNEL AT BOTH THE TOP AND BOTTOM BUMPER LOCATIONS

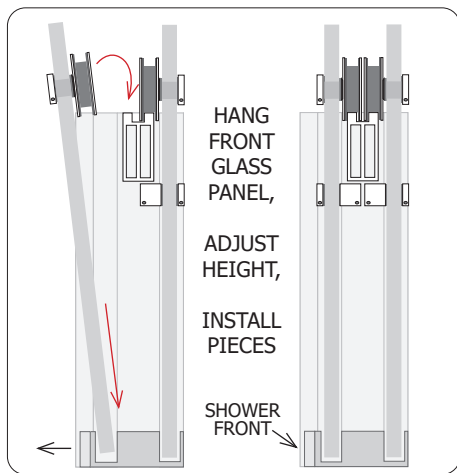


After you have installed the Back Glass Panel and adjusted the Rollers so that the Glass Panel closes flush to the Wall Channel Bumpers, you are ready to install the two RETENTION PIECES to the Back Glass Panels. Use the two 1/8" Allen Wrenches to adjust the height of the RETENTION PIECES, much in the same way the Rollers are adjusted. Then, use both 1/8" Allen Wrenches to securely tighten the RETENTION PIECES in place.

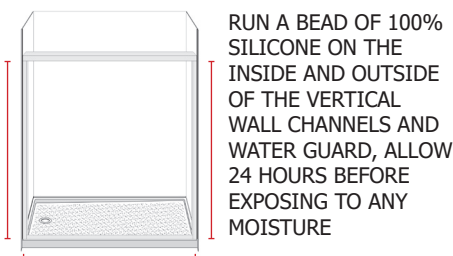
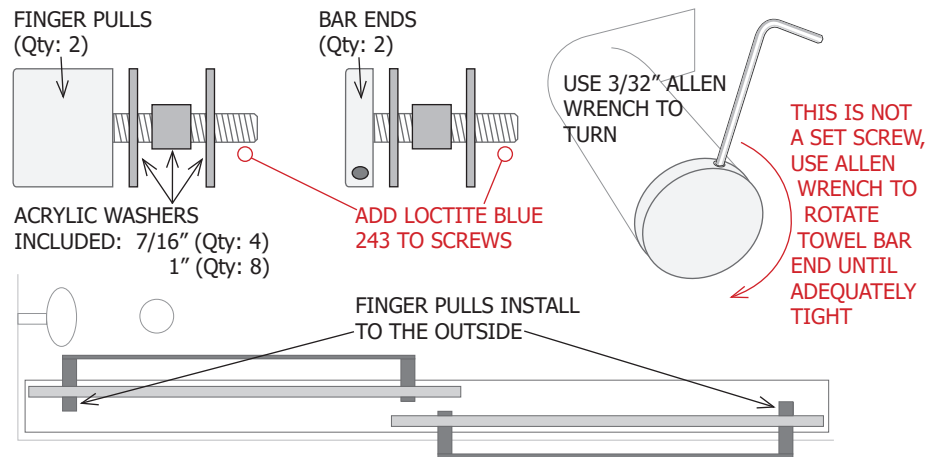
It is ideal to leave enough space between the RETENTION PIECES and the GUIDE RAIL to slide a Credit Card or a Key Card in-between, to ensure secure, ease of motion.



You are now ready to install the FRONT GLASS PANEL. Carefully align the bottom of the GLASS PANEL into the CENTER DOOR GUIDE located on the WATER GUARD as you hang the ROLLERS onto the GUIDE RAIL. Next, follow the same instructions as the Back Glass Panel and adjust the height of the Glass Panel with the Rollers to the desired position and install the Retention Pieces. Then, you can proceed to installing the TOWEL BARS.



Install the TOWEL BARS in the pre-cut holes in the GLASS PANELS. The Inside Door, closed to the wall with the Shower Head, will have the Towel Bar on the Inside. The FINGER PULLS will be installed on the Outside Edges of the bars.



Lastly, apply a bead of 100% SILICONE on the INSIDE where the Water Guard meets the Pan and where the Wall Channels meet the Panels. Repeat the same process for the OUTSIDE of the Wall Channels and the Water Guard. **Must allow the Silicone to dry for 24 hours before any exposure to water or moisture.**

THANK YOU FOR USING OUR MINCEY MARBLE PRODUCT! WE APPRECIATE YOUR BUSINESS!
If you have any questions, please call MINCEY MARBLE CUSTOMER SERVICE at 770-532-0451.