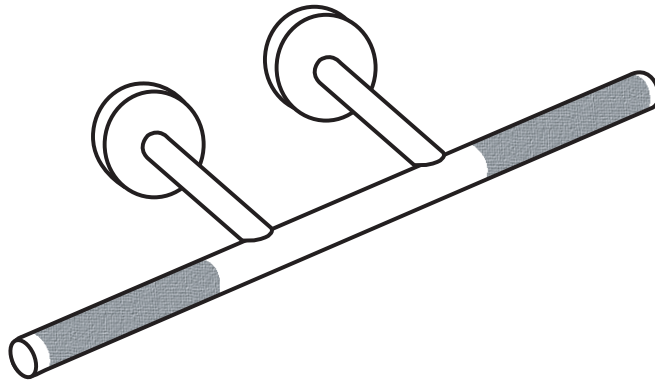
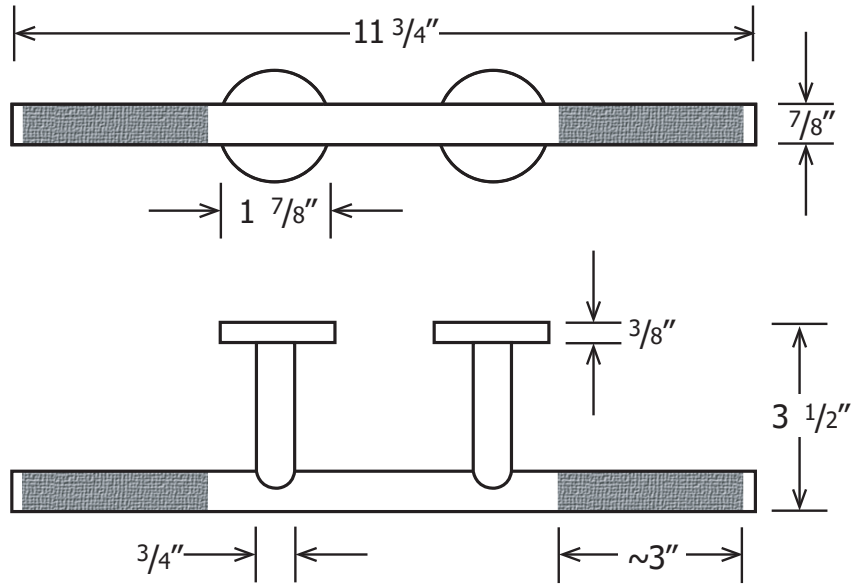


FR-09



REV: 09.17.20