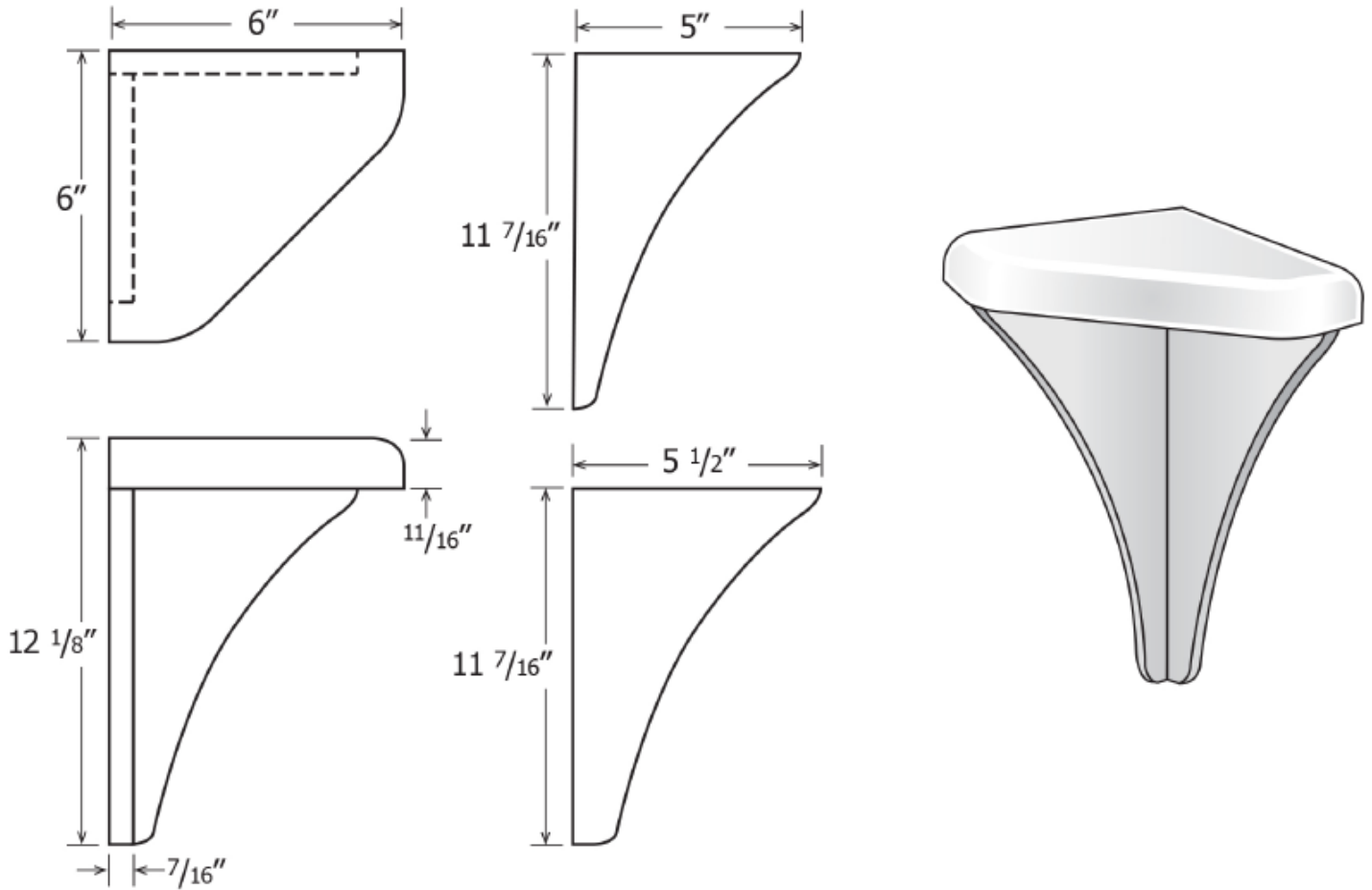


FR-02



*Supports have 1/8" down drafts for drainage.

Revision: 09/2023