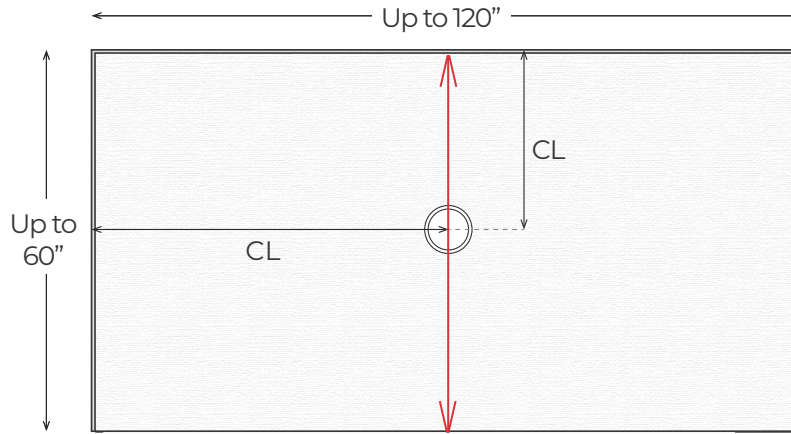
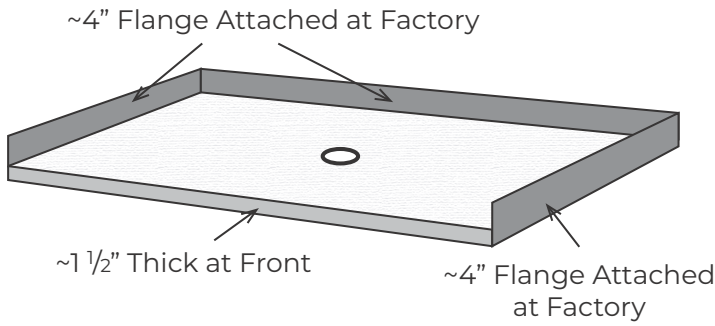


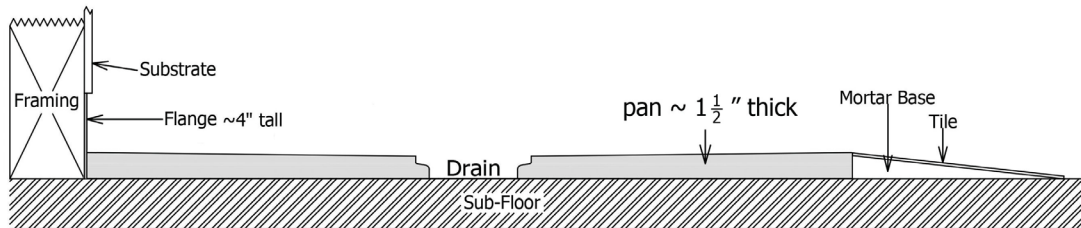
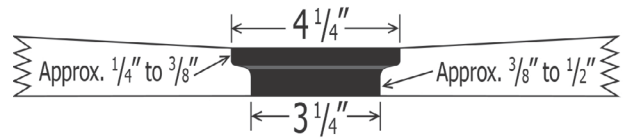
TP-CUST



Finished product dimensions may vary by +/- 1/8" from drawings.



Drain Detail:



REV: 11.05.21