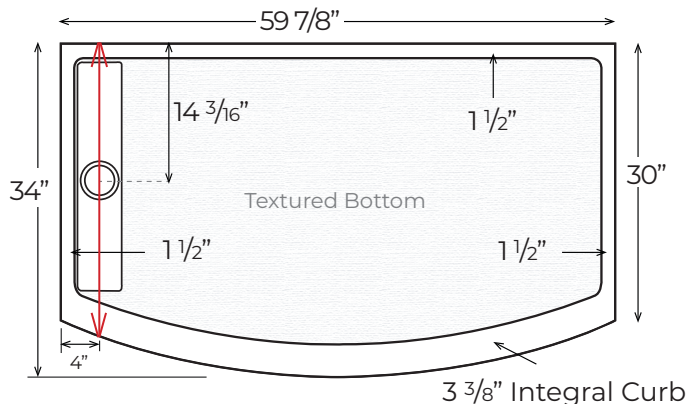
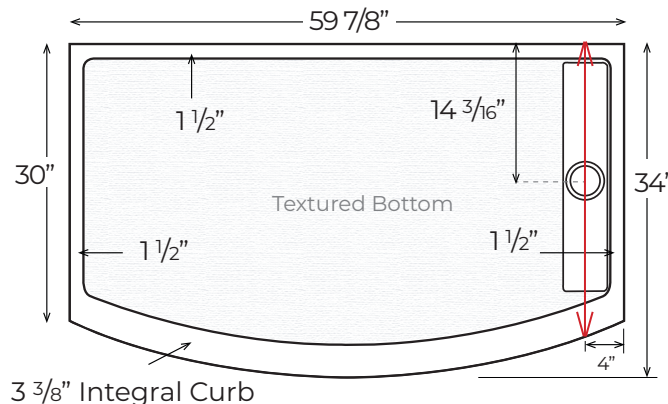


CFP-TD-30-3460-OS/SF-L



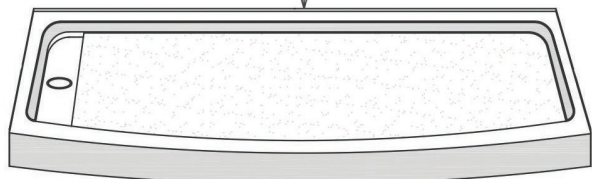
Finished product dimensions may vary by +/- 1/8" from drawings.

CFP-TD-30-3460-OS/SF-R



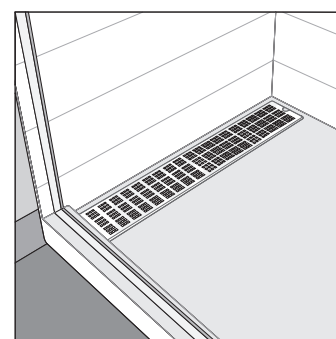
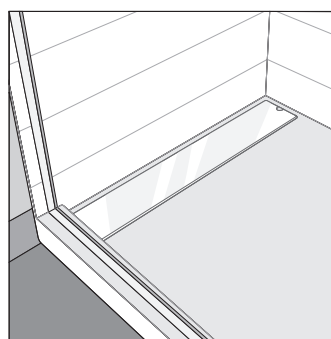
Finished product dimensions may vary by +/- 1/8" from drawings.

1" Flange Attached at Factory on all 3 sides



Integral Curb 3" Tall

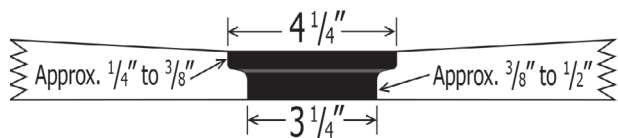
Drain Cover Options



Solid

Decorative

Drain Detail:



For an additional charge, Powder Coating options are available. Please contact our sales associates for more information.

