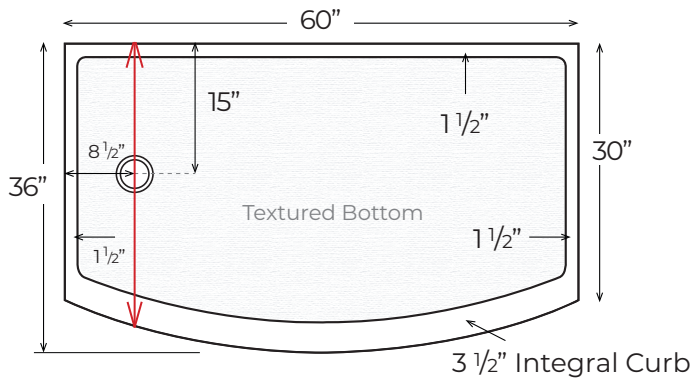
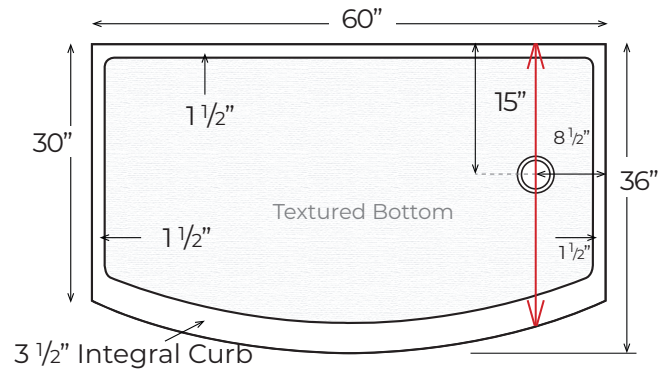


CFP-30-3660-OS-SF - L



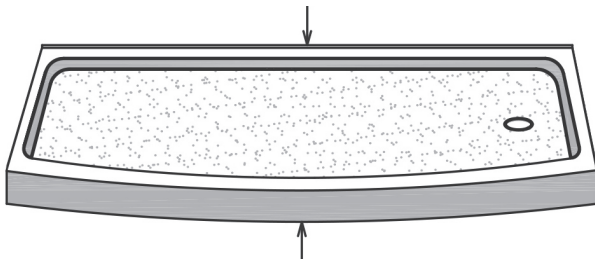
Finished product dimensions may vary by +/- 1/8" from drawings.

CFP-30-3660-OS-SF - R



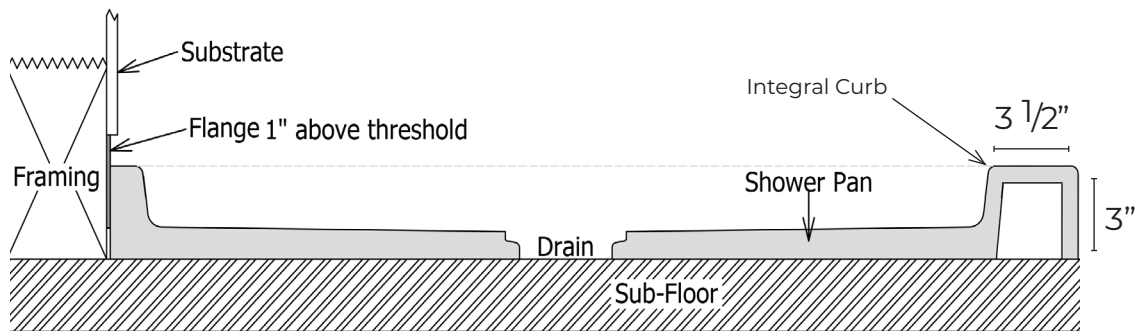
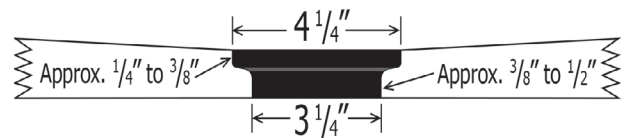
Finished product dimensions may vary by +/- 1/8" from drawings.

1" Flange attached at factory on all 3 sides



Integral Curb 3" Tall

Drain Detail:



REV: 11.05.21